

ASSEMBLY INSTRUCTIONS

CAUTION

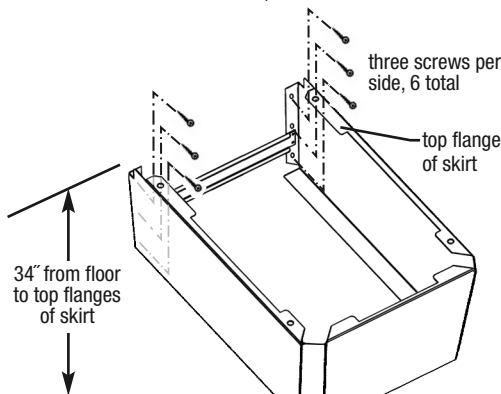
INSPECT CONTENTS IMMEDIATELY AND FILE CLAIM WITH DELIVERING CARRIER FOR ANY DAMAGE. **SAVE YOUR BOX AND ALL PACKING MATERIALS.** YOU ARE RESPONSIBLE FOR DAMAGE TO YOUR UNIT IF RETURNED IMPROPERLY PACKED.

Please note before assembly:

Remove the locking nuts from underside of hand sink and set aside.

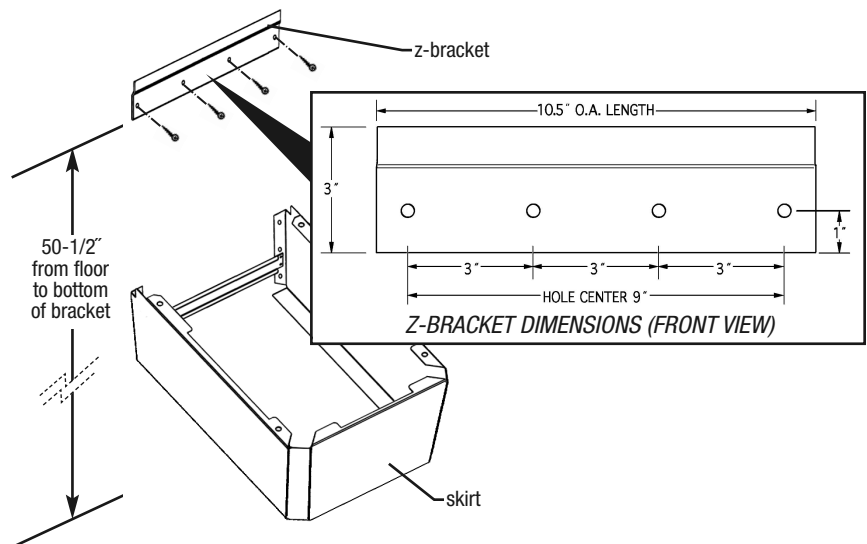
Step 2 - Mount skirt to wall.

- Measure and mark 34" from floor to top flanges of skirt, using a level for straightness.
- Fasten skirt to wall (mounting hardware not included.)

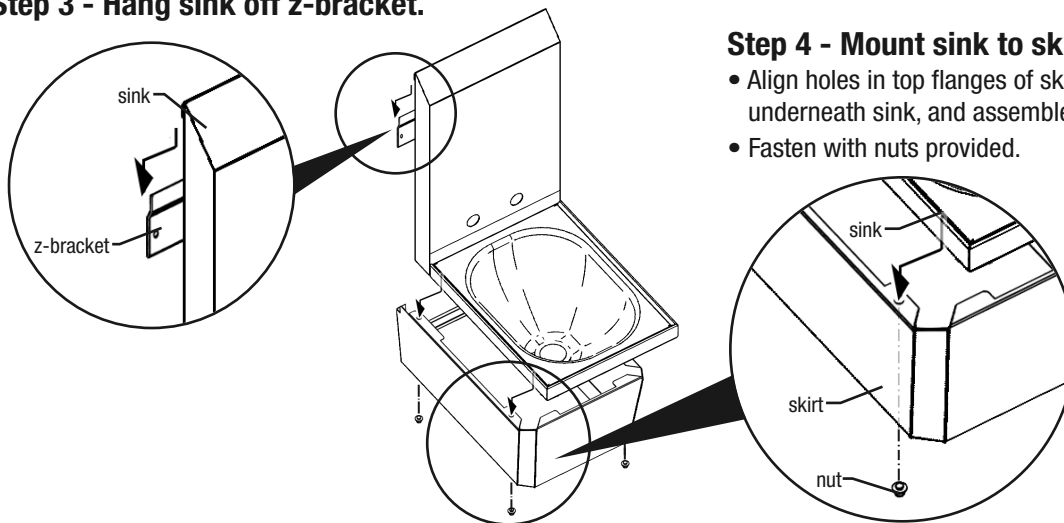


Step 2 - Mount z-bracket onto wall, centered above skirt.

- Measure and mark 50-1/2" from floor to bottom of bracket.
- Fasten z-bracket to wall (mounting hardware not included.)



Step 3 - Hang sink off z-bracket.



Step 4 - Mount sink to skirt.

- Align holes in top flanges of skirt with threaded studs underneath sink, and assemble.
- Fasten with nuts provided.

(End)

EG9949 Revised 01/24