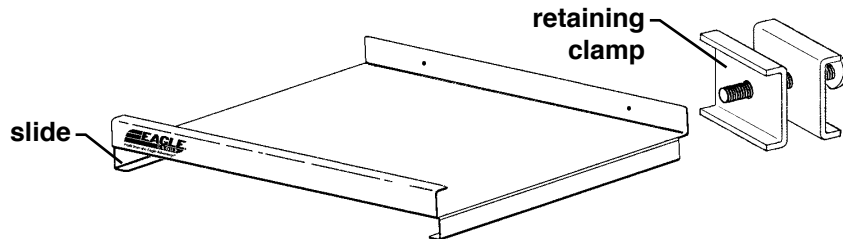


One-Piece Slides

INSTALLATION INSTRUCTIONS

CAUTION

INSPECT CONTENTS IMMEDIATELY AND FILE CLAIM WITH DELIVERING CARRIER FOR ANY DAMAGE. **SAVE YOUR BOX AND ALL PACKING MATERIALS.** YOU ARE RESPONSIBLE FOR DAMAGE TO YOUR UNIT IF RETURNED IMPROPERLY PACKED.



Parts List

quantity	part number	description
1	A203920 *	slide - 18" front-to-back, or
	A203921 *	slide - 21" front-to-back, or
	A203922 *	slide - 24" front-to-back
2	907857	retaining clamps

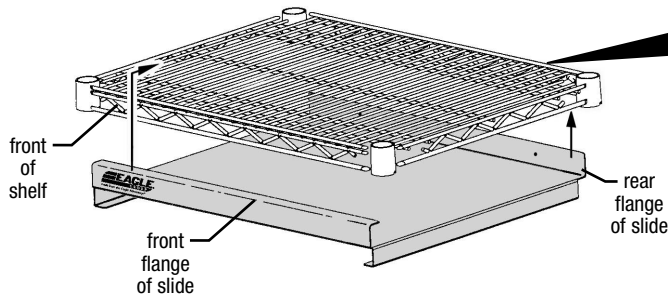
* Part number of slide varies, depending on order.

Before assembly, please note...

- Front end of one-piece slide is indicated by the Eagle Group logo.
- Rear end of slide includes two holes, which will be used in conjunction with retaining clamps.

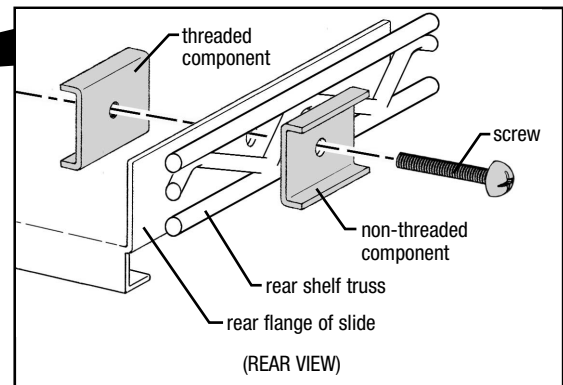
Step 1 - Place slide onto underside of shelf.

- Hook front flange of slide onto and over front of shelf.
- Push rear flange of slide up and in front of rear shelf truss.



Step 2 - Secure with retaining clamps.

- On rear flange of slide, look for two predrilled holes.
- Attach retaining clamps as shown in illustration below.



Assembly is complete.

