

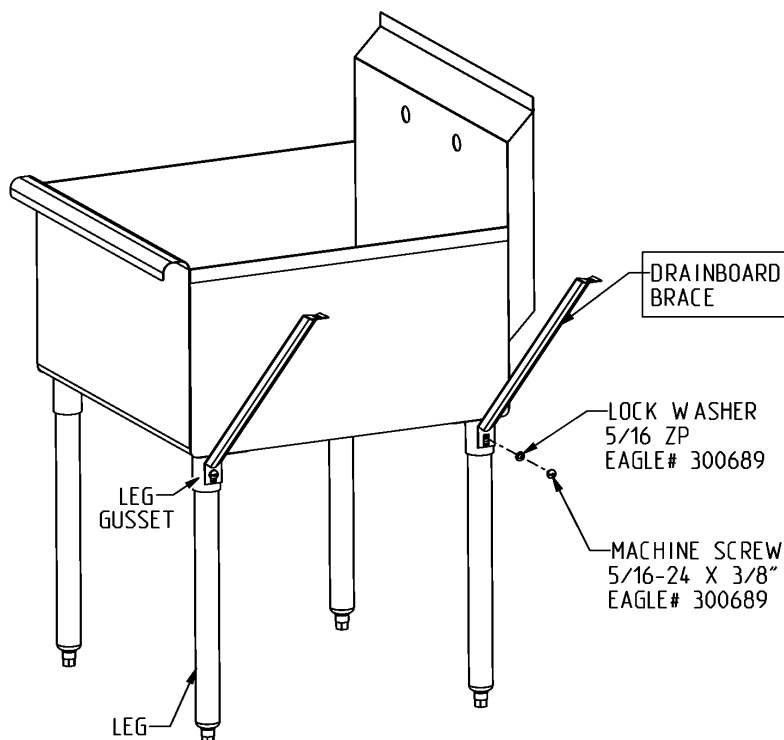
Detachable Drainboard

INSTALLATION INSTRUCTIONS

CAUTION

INSPECT CONTENTS IMMEDIATELY AND FILE CLAIM WITH DELIVERING CARRIER FOR ANY DAMAGE. **SAVE YOUR BOX AND ALL PACKING MATERIALS.** YOU ARE RESPONSIBLE FOR DAMAGE TO YOUR UNIT IF RETURNED IMPROPERLY PACKED.

Thank you for your purchase. Before assembly, read this instruction manual carefully. After reading, be sure to store this instruction in a safe place, should it be needed for future reference.



1) Legs

- If legs are not already installed under sink, install legs into the leg gussets.
- Attach brace to a leg gusset with 5/16" lock washers and 5/16"-24 x 3/8" machine screws included. Only snug hardware at this step (fully tighten after full assembly of the drainboard is completed at Step 3).
- Repeat with remaining brace and leg gusset.

(continued on back page) 

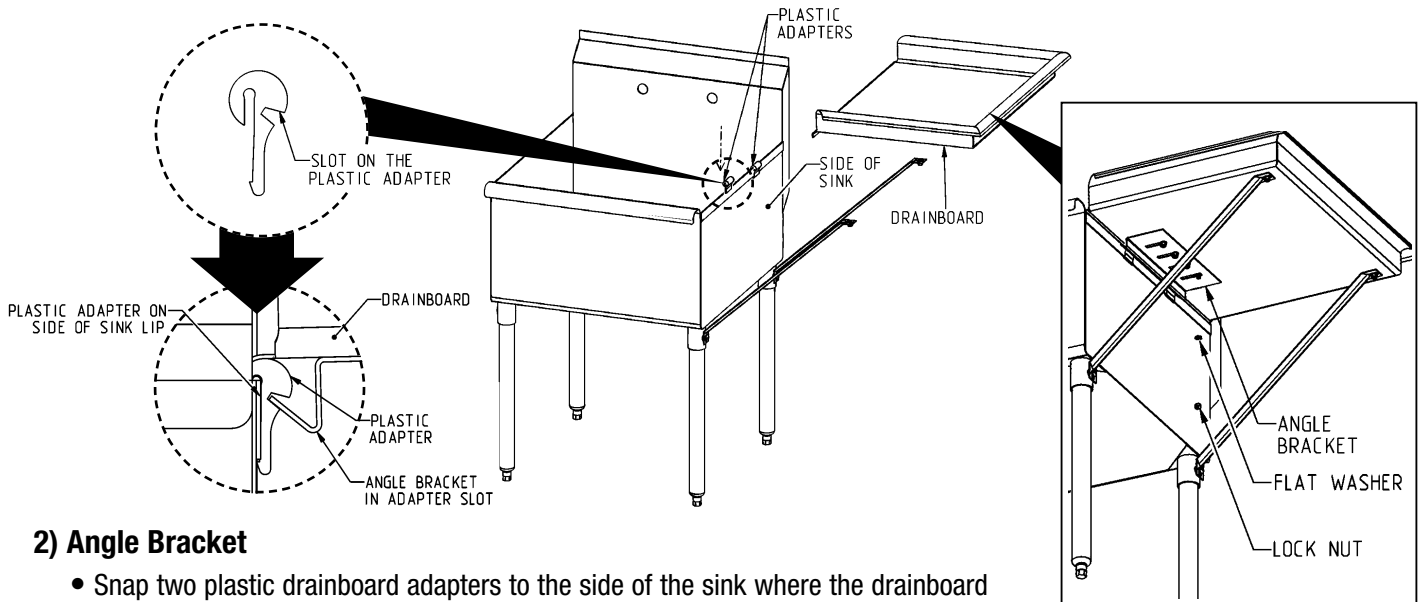
EG9844 Revised 09/23



• 100 Industrial Boulevard, Clayton, Delaware 19938-8903 U.S.A.
• Phone: 302/653-3000 • 800/441-8440 • Fax: 302/653-2065
• www.eaglegrp.com • www.eaglegrpnews.com • www.eaglemhc.com

Detachable Drainboard

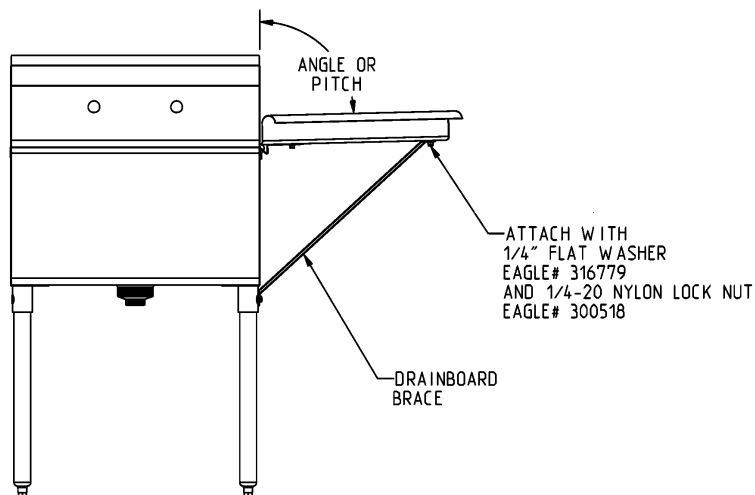
INSTALLATION INSTRUCTIONS



2) Angle Bracket

- Snap two plastic drainboard adapters to the side of the sink where the drainboard will be mounted.
- Place the drainboard rolled edge over the plastic adapters.
- Mount the drainboard so that the angle bracket catches tightly inside the plastic adapter slot.

Note: Ensure angle bracket is attached to drainboard with four (4) flat washers and four (4) lock nuts.



3) Brace

- Determine the desired pitch of the drainboard and mount the brace to the appropriate threaded stud with flat washers and lock nuts included.
- Review and tighten all hardware.

(End) Installation is complete.