



Profit from the Eagle Advantage®

Specification Sheet

Short Form Specifications

Eagle Space-Saver Hand Wash Sink, model HWC-E. Constructed of type 304 stainless steel with 9¼" x 11½" x 6" deep stainless steel sink, basket drain, hinged door with magnetic catch, built-in C-fold towel dispenser, deck mounted soap dispenser, and deck mounted gooseneck faucet. Note: For T&S faucet, use model HWC-T.

Eagle Drop-In Hand Wash Sink, model HWB-E. Constructed of type 304 stainless steel with 9¼" x 11½" x 6" deep stainless steel sink, basket drain, hinged door with magnetic catch, built-in C-fold towel dispenser, deck mounted soap dispenser, and deck mounted gooseneck faucet. Note: For T&S faucet, use model HWB-T.



#HWC-E (with towel* dispenser open)



#HWB-E

* paper towels not included

EAGLE GROUP

100 Industrial Boulevard, Clayton, DE 19938-8903 USA
Phone: 302-653-3000 • 800-441-8440 • Fax: 302-653-2065
www.eaglegrp.com
www.eaglemhc.com

For custom configuration or fabrication needs, contact our SpecFAB® Division.
Phone: 302-653-3000 • Fax: 302-653-2065 • e-mail: quotes@eaglegrp.com

Item No.: _____
Project No.: _____
S.I.S. No.: _____

Hand Wash Sinks

MODELS:

- HWC-E
- HWC-T
- HWB-E
- HWB-T

Design and Construction Features

- All heavy gauge type 304 stainless steel all-welded construction.
- 1½" (38mm) bullnose front edge.
- Bowl is 9¼" x 11½" x 6" (235 x 292 x 152mm).
- Hinged door with pull handle secured by magnetic catch.
- Pump action soap dispenser in rear deck.
- Built-in C-fold towel dispenser located in front of sink bowl.
- Deck mount faucet.
- 1½" (38mm) stainless steel basket drain and crumb cup.
- Wall-mountable "Space-Saver" models and drop-in models available.

Certifications / Approvals



AutoQuotes



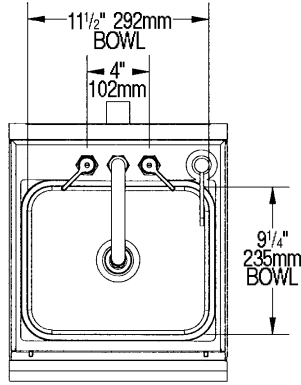


Profit from the Eagle Advantage®

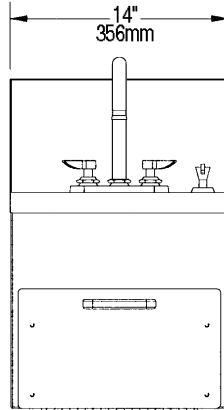
Item No.: _____
 Project No.: _____
 S.I.S. No.: _____

Wall-Mountable "Space Saver" Hand Wash Sinks

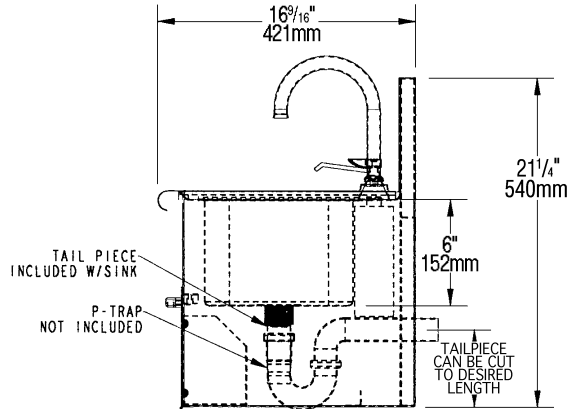
Furnished with Z-clips to secure to wall.



TOP VIEW



FRONT VIEW

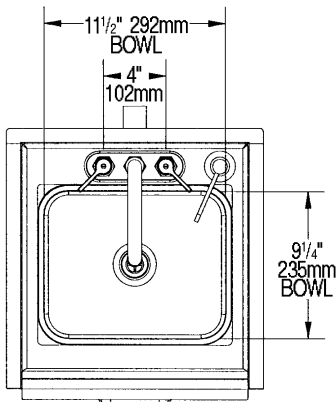


SIDE VIEW

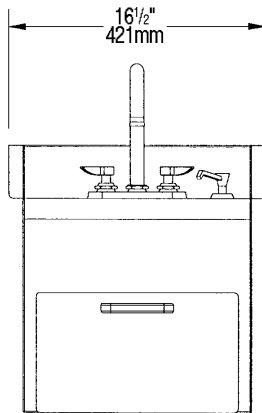
(model # HWC-T unit shown with T&S faucet)

inside bowl dimensions		overall size		W/STANDARD FAUCET		WITH T&S FAUCET	
width	length x depth	width	length x height	weight	model #	weight	model #
in.	mm	in.	mm	lbs. kg		lbs. kg	
9 1/4" x 11 1/2" x 6"	235 x 292 x 152	16 5/8" x 14" x 21 1/4"	421 x 356 x 540	36 16.3	HWC-E	37 16.8	HWC-T

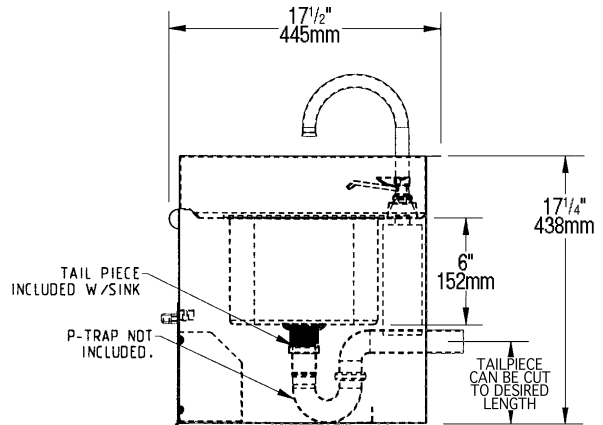
Drop-In Hand Wash Sinks



TOP VIEW



FRONT VIEW



SIDE VIEW

(model # HWB-T unit shown with T&S faucet)

inside bowl dimensions		overall size		cutout dimensions		WITH STANDARD FAUCET		WITH T&S FAUCET	
width	length x depth	width	length x height	width	length	weight	model #	weight	model #
in.	mm	in.	mm	in.	mm	lbs. kg		lbs. kg	
9 1/4" x 11 1/2" x 6"	235 x 292 x 152	17 1/2" x 16 1/2" x 17 1/4"	445 x 419 x 438	16" x 14 7/8"	406 x 378	32 14.5	HWB-E	33 15.0	HWB-T

EAGLE GROUP

100 Industrial Boulevard, Clayton, DE 19938-8903 USA
 Phone: 302-653-3000 or 800-441-8440 • Fax: 302-653-2065
 www.eaglegrp.com • www.eaglegrp.com

Printed in U.S.A.
 ©2023 by Eagle Group

Rev. 12/23

Spec sheets available for viewing, printing or downloading from our online literature library at our websites

Although every attempt has been made to ensure the accuracy of the information provided, we cannot be held responsible for typographical or printing errors. Information and specifications are subject to change without notice. Please confirm at time of order.