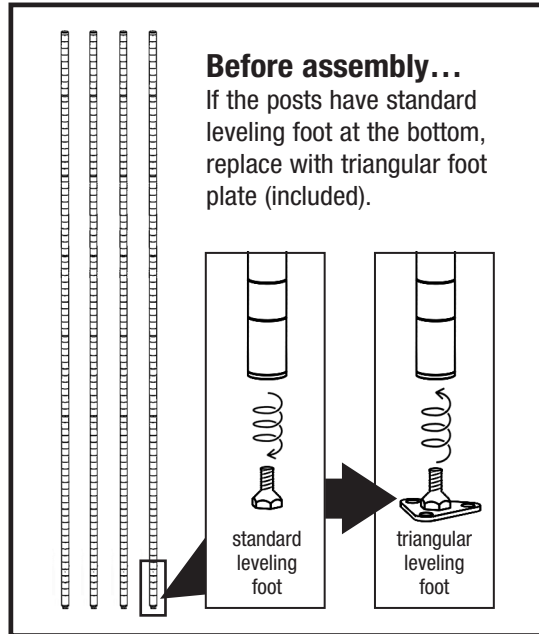


# Freestanding Gowning Rack with Hooks

## ASSEMBLY INSTRUCTIONS

### CAUTION

INSPECT CONTENTS IMMEDIATELY AND FILE CLAIM WITH DELIVERING CARRIER FOR ANY DAMAGE. **SAVE YOUR BOX AND ALL PACKING MATERIALS.** YOU ARE RESPONSIBLE FOR DAMAGE TO YOUR UNIT IF RETURNED IMPROPERLY PACKED.

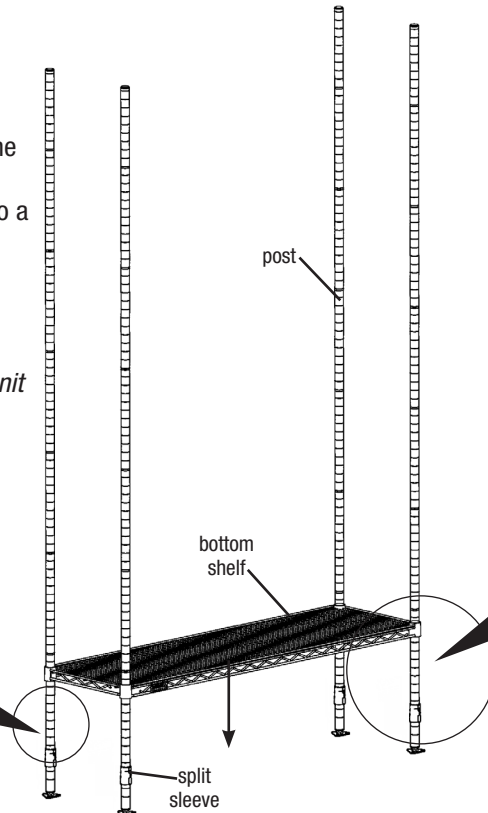
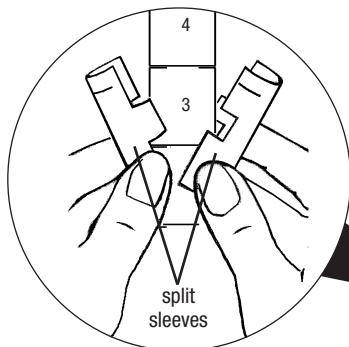


### Step 1 - Attach split sleeves (for bottom shelf) to posts.

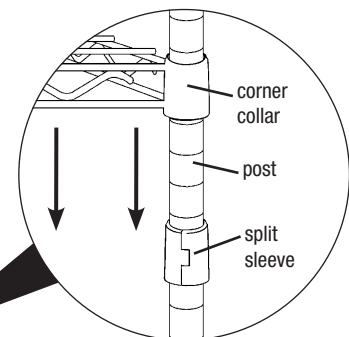
- The wider part of the taper goes toward the bottom.
- Make sure rib on split sleeve is seated into a groove on the post.

#### Notes:

- The number covered by the split sleeve indicates approximate height of shelf.
- The lower the shelf, the more stable the unit will be.



### Step 2 - Mount bottom shelf.

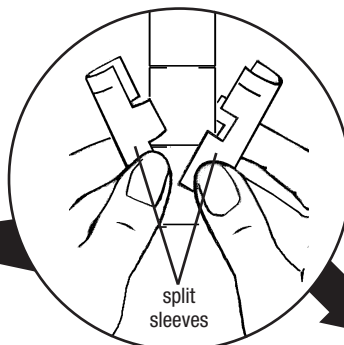
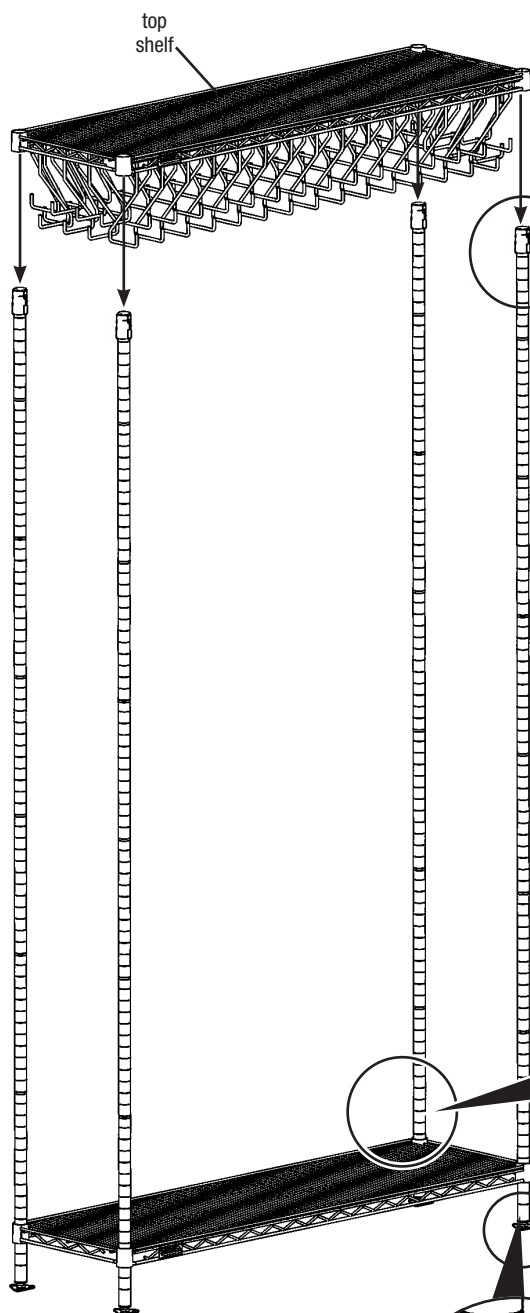


(continued on back page)

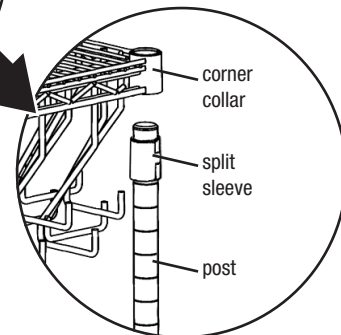
# Freestanding Gowning Rack with Hooks

## ASSEMBLY INSTRUCTIONS

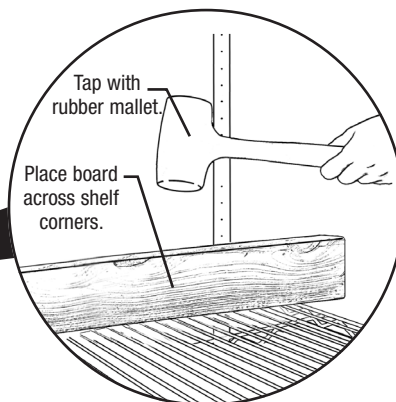
**Step 3: Attach split sleeves (for top shelf) to posts.**  
Snap split sleeves onto top groove of each post.



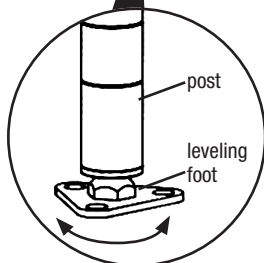
**Step 4: Mount top shelf.**



**Step 5: Securely seat both shelves.**  
Note: Do NOT hammer directly on wire or corner.



**Step 6: Level unit.**  
The leveling bolts allow approximately 1/2" adjustment.



**(End)** Assembly is complete.