

End Splashes for HSA Sinks

INSTALLATION INSTRUCTIONS

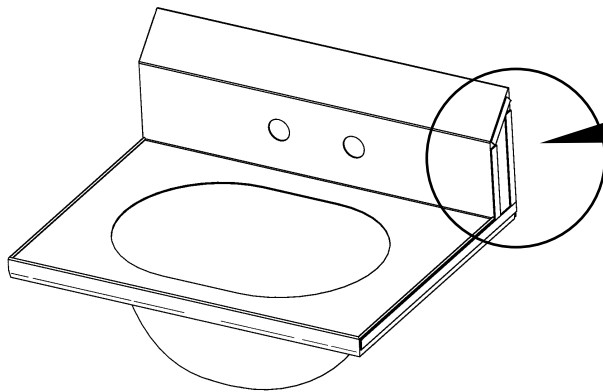
To install end splashes onto HSA sinks, see reverse page.

CAUTION

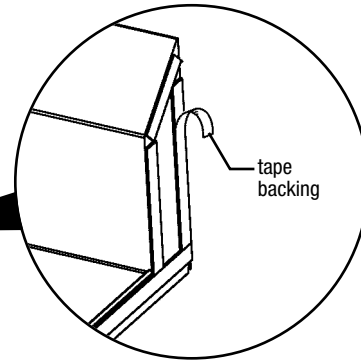
INSPECT CONTENTS IMMEDIATELY AND FILE CLAIM WITH DELIVERING CARRIER FOR ANY DAMAGE. **SAVE YOUR BOX AND ALL PACKING MATERIALS.** YOU ARE RESPONSIBLE FOR DAMAGE TO YOUR UNIT IF RETURNED IMPROPERLY PACKED.

Step 1 - Apply double-sided tape to end of hand sink.

Note: In order for proper bonding of the tape adhesive, ensure the end of the hand sink is free of dirt, oil and other contaminants prior to installation. Use alcohol wipe provided.

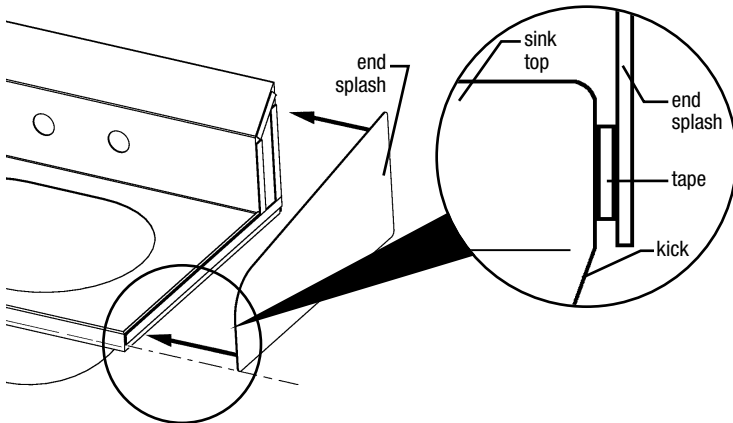


Step 2 - Peel off tape backing.

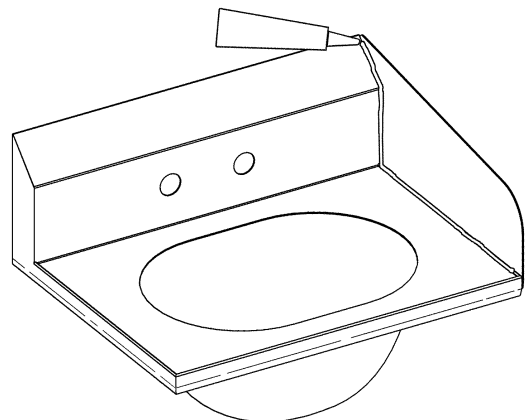


Step 3 - Adhere end splash to end of hand sink.

Align bottom of end splash with sink end as shown, and press firmly.



Step 4 - Apply silicone to all seams.



If two end splashes were ordered, repeat Steps 1 through 4 to install the remaining end splash.



End Splashes for HSA Sinks

INSTALLATION INSTRUCTIONS

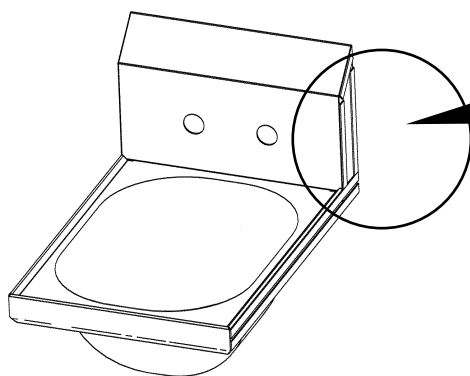
To install end splashes onto HSA sinks, see reverse page.

CAUTION

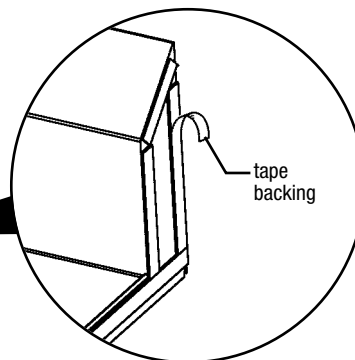
INSPECT CONTENTS IMMEDIATELY AND FILE CLAIM WITH DELIVERING CARRIER FOR ANY DAMAGE. **SAVE YOUR BOX AND ALL PACKING MATERIALS.** YOU ARE RESPONSIBLE FOR DAMAGE TO YOUR UNIT IF RETURNED IMPROPERLY PACKED.

Step 1 - Apply double-sided tape to end of hand sink.

Note: In order for proper bonding of the tape adhesive, ensure the end of the hand sink is free of dirt, oil and other contaminants prior to installation. Use alcohol wipe provided.

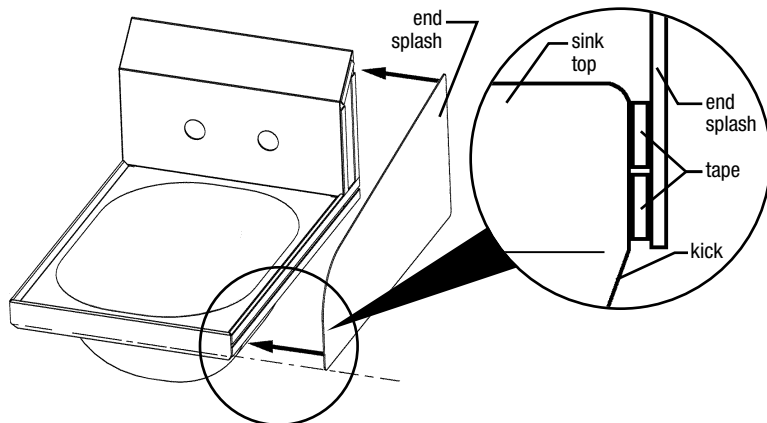


Step 2 - Peel off tape backing.

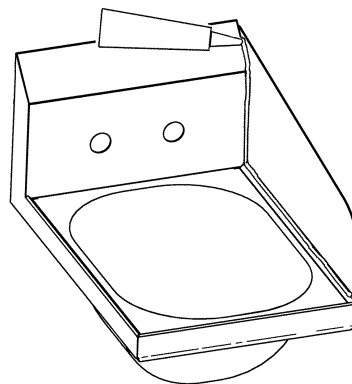


Step 3 - Adhere end splash to end of hand sink.

Align bottom of end splash with sink end as shown, and press firmly.



Step 4 - Apply silicone to all seams.



If two end splashes were ordered, repeat Steps 1 through 4 to install the remaining end splash.

(End)