

Hand Sinks with Waste Receptacle

ASSEMBLY INSTRUCTIONS

(For Hand Sinks with Electronic Faucet and Waste Receptacle, see page 3.)

CAUTION

INSPECT CONTENTS IMMEDIATELY AND FILE CLAIM WITH DELIVERING CARRIER FOR ANY DAMAGE.

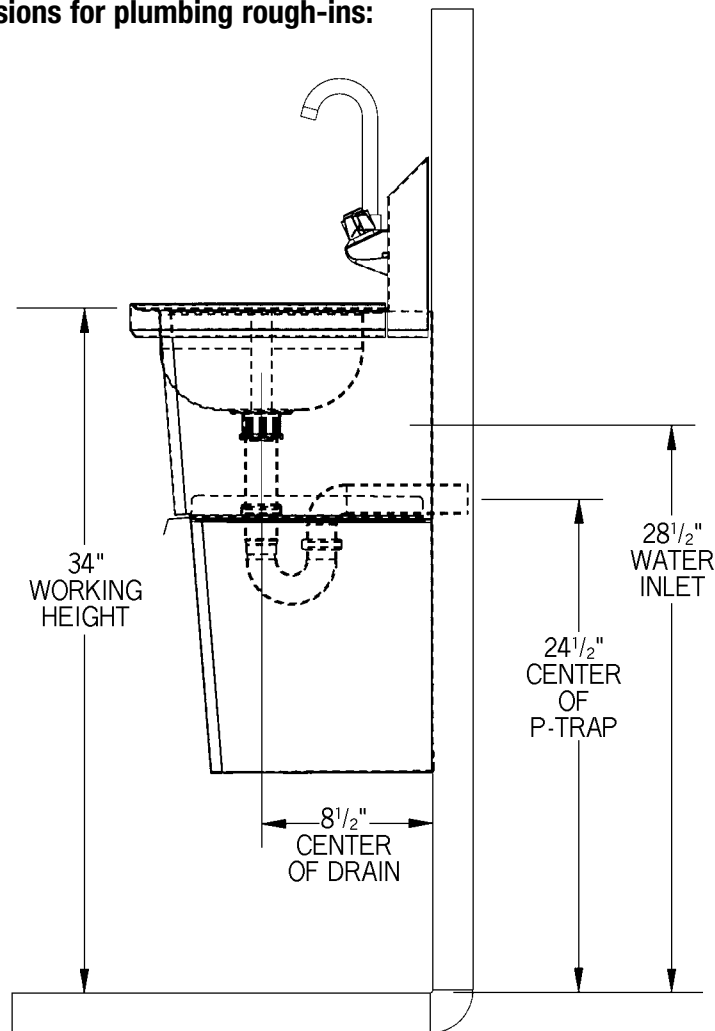
SAVE YOUR BOX AND ALL PACKING MATERIALS.

YOU ARE RESPONSIBLE FOR DAMAGE TO YOUR UNIT IF RETURNED IMPROPERLY PACKED.

Please note before assembly:

- Attach faucet to hand sink now per faucet instructions.
- Remove the nylon locking nuts from underside of hand sink and set aside.
- Please follow the plumbing rough-ins (below). All dimensions are nominal.

Dimensions for plumbing rough-ins:



(continued on next page)

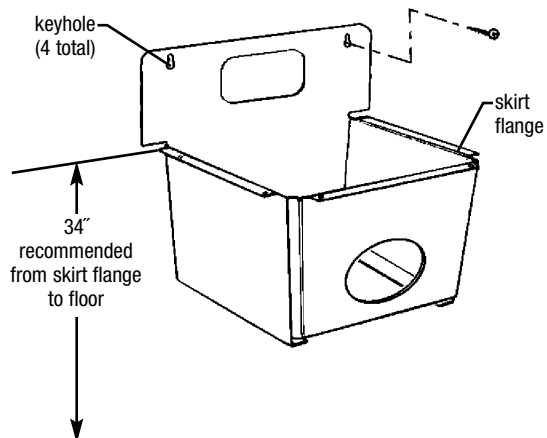
EG10047 Revised 09/23

Hand Sinks with Waste Receptacle

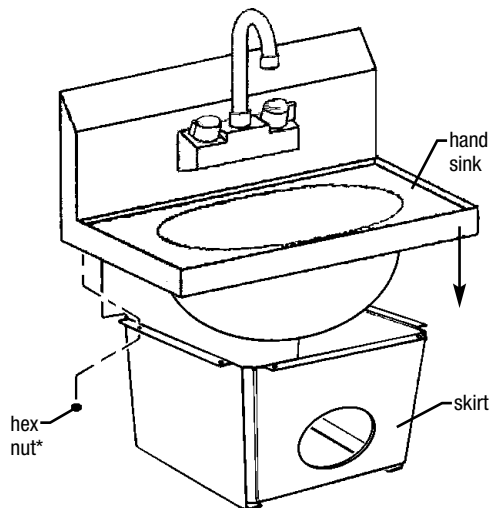
ASSEMBLY INSTRUCTIONS

Step 1 - Mount skirt to wall.

(Note: Mounting hardware not provided.)

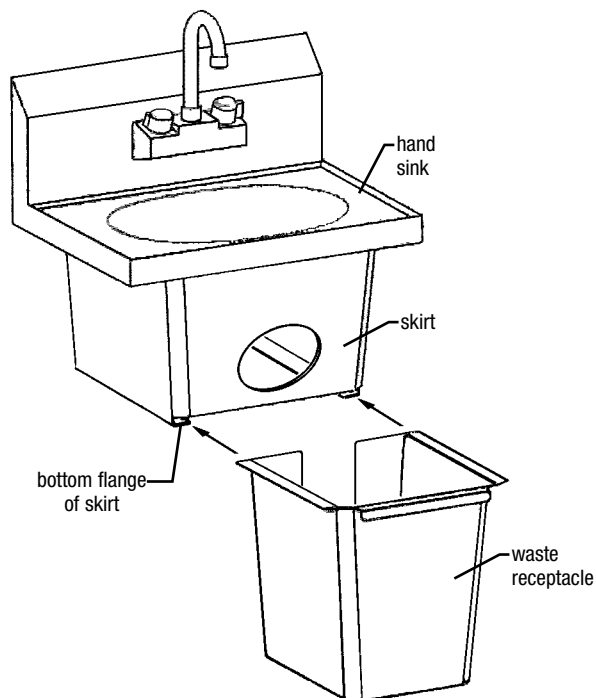


Step 2 - Mount hand sink to skirt.



* Two hex nuts per side, two in front.

Step 3 - Slide waste receptacle into bottom flanges of skirt.



(End)

Hand Sinks with Electronic Faucet and Waste Receptacle

ASSEMBLY INSTRUCTIONS

CAUTION

INSPECT CONTENTS IMMEDIATELY AND FILE CLAIM WITH DELIVERING CARRIER FOR ANY DAMAGE.

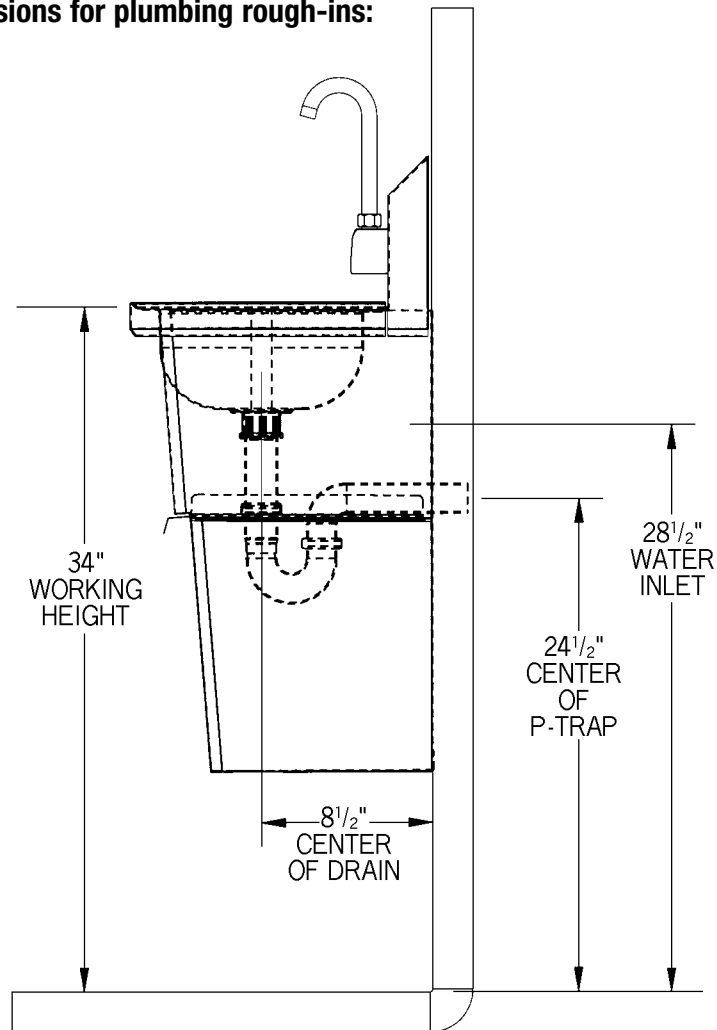
SAVE YOUR BOX AND ALL PACKING MATERIALS.

YOU ARE RESPONSIBLE FOR DAMAGE TO YOUR UNIT IF RETURNED IMPROPERLY PACKED.

Please note before assembly:

- Attach faucet to hand sink now per faucet instructions.
- Remove the nylon locking nuts from underside of hand sink and set aside.
- Please follow the plumbing rough-ins (below). All dimensions are nominal.

Dimensions for plumbing rough-ins:



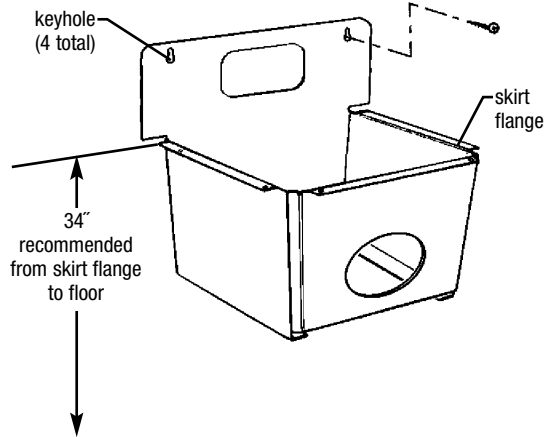
(continued on back page) 

Hand Sinks with Electronic Faucet and Waste Receptacle

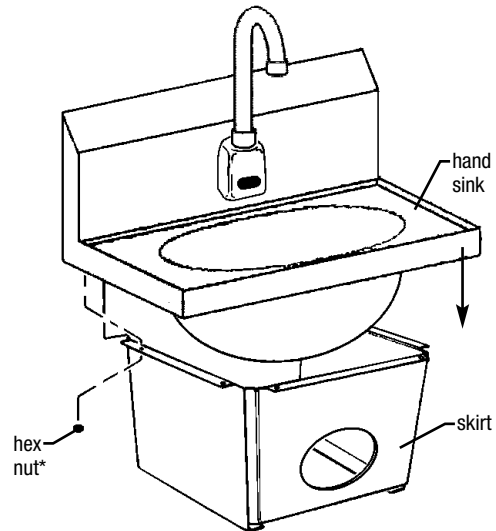
ASSEMBLY INSTRUCTIONS

Step 1 - Mount skirt to wall.

(Note: Mounting hardware not provided.)

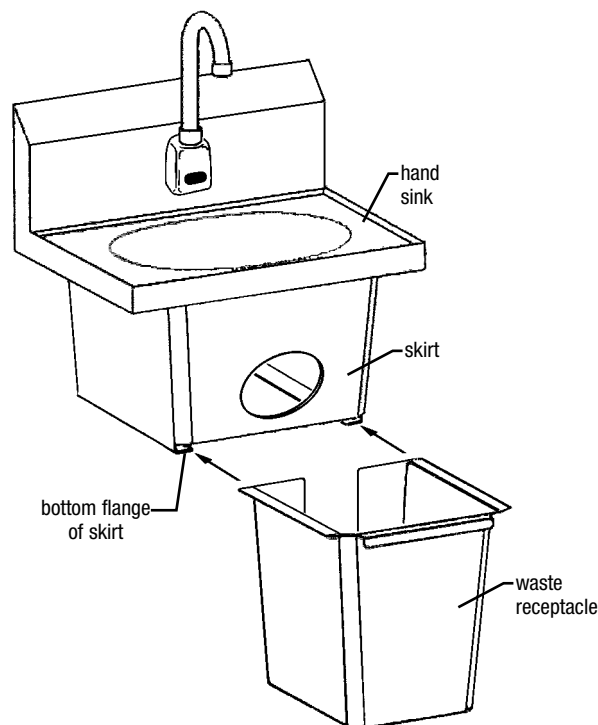


Step 2 - Mount hand sink to skirt.



* Two hex nuts per side, two in front.

Step 3 - Slide waste receptacle into bottom flanges of skirt.



(End)