



Profit from the Eagle Advantage®

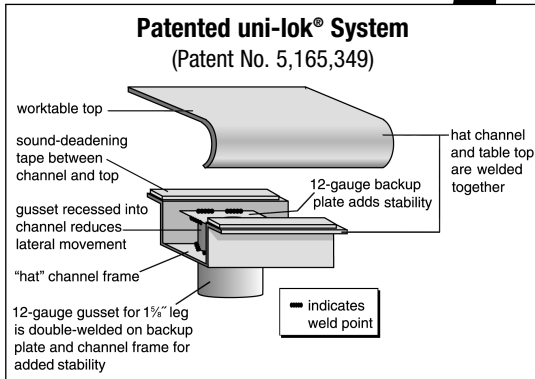
Specification Sheet

Short Form Specifications

Eagle worktables, Deluxe series, model _____. Top constructed of 16 gauge 300 series stainless steel with 1½" roll on front, 1½" rear upturn, and sides turned down 90°. Open front with 1¼" O.D., stainless steel tubular crossbracing on sides and rear. Top reinforced with welded hat channels and sound deadened. Constructed with uni-lok® patented gusset system with the gussets recessed into the hat channels to reduce lateral movement. Legs are 1½" O.D. stainless steel tubing, with stainless steel gussets and 1" stainless steel adjustable bullet feet.



worktable with upturn and tubular base
—shown with optional drawer



Patented uni-lok® System (Patent No. 5,165,349)

Item No.: _____
Project No.: _____
S.I.S. No.: _____

Worktables with Rear Upturn and Stainless Steel Tubular Base —Deluxe Series

MODELS:

- | | | | |
|-------------------------------------|--------------------------------------|--------------------------------------|--------------------------------------|
| <input type="checkbox"/> UT2424STEB | <input type="checkbox"/> UT24108STEB | <input type="checkbox"/> UT3072STEB | <input type="checkbox"/> UT3660STEB |
| <input type="checkbox"/> UT2430STEB | <input type="checkbox"/> UT24120STEB | <input type="checkbox"/> UT3084STEB | <input type="checkbox"/> UT3672STEB |
| <input type="checkbox"/> UT2436STEB | <input type="checkbox"/> UT24132STEB | <input type="checkbox"/> UT3096STEB | <input type="checkbox"/> UT3684STEB |
| <input type="checkbox"/> UT2448STEB | <input type="checkbox"/> UT24144STEB | <input type="checkbox"/> UT30108STEB | <input type="checkbox"/> UT3696STEB |
| <input type="checkbox"/> UT2460STEB | <input type="checkbox"/> UT3030STEB | <input type="checkbox"/> UT30120STEB | <input type="checkbox"/> UT36108STEB |
| <input type="checkbox"/> UT2472STEB | <input type="checkbox"/> UT3036STEB | <input type="checkbox"/> UT30132STEB | <input type="checkbox"/> UT36120STEB |
| <input type="checkbox"/> UT2484STEB | <input type="checkbox"/> UT3048STEB | <input type="checkbox"/> UT30144STEB | <input type="checkbox"/> UT36132STEB |
| <input type="checkbox"/> UT2496STEB | <input type="checkbox"/> UT3060STEB | <input type="checkbox"/> UT3648STEB | <input type="checkbox"/> UT36144STEB |

Tabletop

- Top reinforced with welded-on hat channel.
- Sound-deadened between top and channels.
- 1½" (38mm) 90° rear upturn with radius at intersection.
- 1½" (41mm)-diameter 180° rolled edge on front. Ends are turned down 90° providing for flush installations when required.
- 16 gauge 300 series polished stainless steel.

Crossbracing—1¼" (32mm)-diameter

- Heavy gauge stainless steel.
- Aluminum castings join crossbraces, legs and rear brace.

Legs—1½" (41mm)-diameter

- Units 96" to 120" (2438 to 3048mm) long come with six legs; Units 132" and 144" (3353 and 3658mm) come with eight legs.
- Patented uni-lok® gusset system (patent # 5,165,349): gussets are recessed into hat channel, reducing lateral movement.
- Heavy gauge stainless steel.
- Galvanized gussets.
- 1" (25mm) adjustable stainless steel feet.

Options / Accessories

- | | |
|---|---|
| <input type="checkbox"/> Drawer | <input type="checkbox"/> Duplex receptacles |
| <input type="checkbox"/> Lock | <input type="checkbox"/> Pot rack |
| <input type="checkbox"/> Casters | <input type="checkbox"/> Sink |
| <input type="checkbox"/> Overshelves | <input type="checkbox"/> Additional undershelf |
| <input type="checkbox"/> Knockdown Welded Base
(see back page) | <input type="checkbox"/> Stabilizer Bar (for 30"-
and 36"-wide tables) |

EAGLE GROUP

100 Industrial Boulevard, Clayton, DE 19938-8903 USA
Phone: 302-653-3000 • 800-441-8440 • Fax: 302-653-2065
www.eaglegrp.com
www.eaglegrpnews.com
www.eaglemhc.com

For custom configuration or fabrication needs, contact our SpecFAB® Division.
Phone: 302-653-3000 • Fax: 302-653-2065 • e-mail: quotes@eaglegrp.com

Certifications / Approvals



AutoQuotes



EG10.49B Rev. 07/23

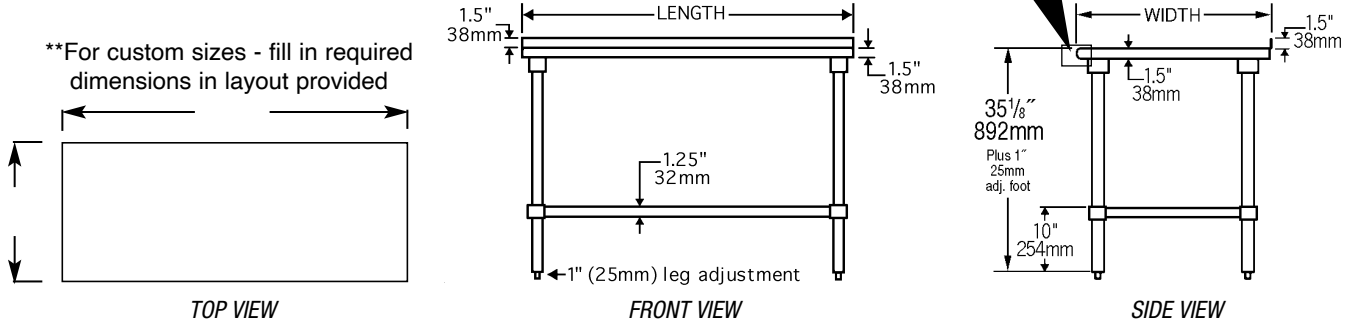
Spec sheets available for viewing, printing or downloading from our online literature library at our websites

Eagle Foodservice Equipment, Eagle MHC, and SpecFAB® are divisions of Eagle Group. ©2023 by the Eagle Group



Item No.: _____
 Project No.: _____
 S.I.S. No.: _____

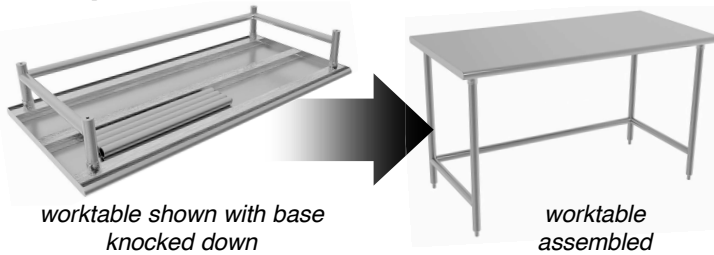
Worktables with Rear Uprturn and Stainless Steel Tubular Base—Deluxe Series



model #	# of legs	width		length		weight	
		in.	mm	in.	mm	lbs.	kg
UT2424STEB	4	24"	610	24"	610	40	18.1
UT2430STEB	4	24"	610	30"	762	45	20.4
UT2436STEB	4	24"	610	36"	914	50	22.7
UT2448STEB	4	24"	610	48"	1219	60	27.2
UT2460STEB	4	24"	610	60"	1524	70	31.8
UT2472STEB	4	24"	610	72"	1829	80	36.3
UT2484STEB	4	24"	610	84"	2134	90	40.8
UT2496STEB	6	24"	610	96"	2438	100	45.4
UT24108STEB	6	24"	610	108"	2743	110	49.9
UT24120STEB	6	24"	610	120"	3048	120	54.4
UT24132STEB	8	24"	610	132"	3353	130	59.0
UT24144STEB	8	24"	610	144"	3658	140	63.5
UT3030STEB	4	30"	762	30"	762	50	22.7
UT3036STEB	4	30"	762	36"	914	55	24.9
UT3048STEB	4	30"	762	48"	1219	65	29.5
UT3060STEB	4	30"	762	60"	1524	75	34.0
UT3072STEB	4	30"	762	72"	1829	85	38.6
UT3084STEB	4	30"	762	84"	2134	95	43.1
UT3096STEB	6	30"	762	96"	2438	105	47.6
UT30108STEB	6	30"	762	108"	2743	115	52.2
UT30120STEB	6	30"	762	120"	3048	125	56.7
UT30132STEB	8	30"	762	132"	3353	135	61.2
UT30144STEB	8	30"	762	144"	3658	145	65.8
UT3648STEB	4	36"	914	48"	1219	75	34.0
UT3660STEB	4	36"	914	60"	1524	85	38.6
UT3672STEB	4	36"	914	72"	1829	95	43.1
UT3684STEB	4	36"	914	84"	2134	105	47.6
UT3696STEB	6	36"	914	96"	2438	115	52.2
UT36108STEB	6	36"	914	108"	2743	125	56.7
UT36120STEB	6	36"	914	120"	3048	135	61.2
UT36132STEB	8	36"	914	132"	3353	145	65.8
UT36144STEB	8	36"	914	144"	3658	155	70.3

NEW Option for Worktables with Stainless Steel Base: Knockdown Welded Base

PATENT PENDING



- Precision machined stainless steel threaded inserts pressed into 16 gauge 1 1/8"-diameter leg sections for knockdown construction
- C-Frame stainless steel tubular base

Add suffix "-KDWB" to worktable model number (ex: UT2436STEB-KDWB). See EG8217 for more info.

EAGLE GROUP

100 Industrial Boulevard, Clayton, DE 19938-8903 USA

Phone: 302-653-3000 or 800-441-8440 • Fax: 302-653-2065

www.eaglegrp.com • www.eaglegrpnews.com • www.eaglehmc.com

Printed in U.S.A.
 ©2023 by Eagle Group

Rev. 07/23

Spec sheets available for viewing, printing or downloading from our online literature library at our websites

Although every attempt has been made to ensure the accuracy of the information provided, we cannot be held responsible for typographical or printing errors. Information and specifications are subject to change without notice. Please confirm at time of order.