



Profit from the Eagle Advantage®

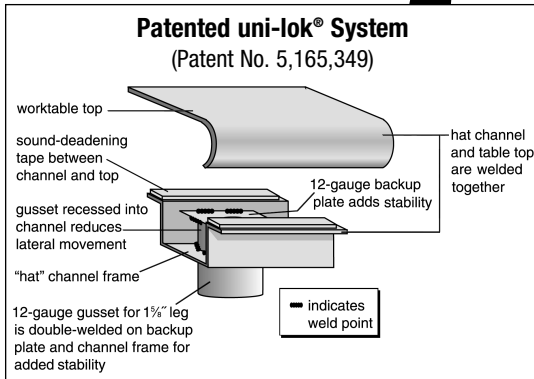
# Specification Sheet

## Short Form Specifications

Eagle worktables, Budget series, model \_\_\_\_\_.  
 Top constructed of heavy gauge type 430 stainless steel with 1½" roll on front, 1½" rear upturn, and sides turned down 90°. Undershef is adjustable and constructed of heavy gauge type 430 stainless steel with marine edge. Top reinforced with hat channels and sound deadened. Constructed with uni-lok® patented gusset system with the gussets recessed to reduce lateral movement. Legs are 1½" O.D. stainless steel, with galvanized gussets and 1" stainless steel adjustable bullet feet.



worktable with upturn and adjustable undershef



Item No.: \_\_\_\_\_  
 Project No.: \_\_\_\_\_  
 S.I.S. No.: \_\_\_\_\_

## Worktables with Rear Upturn and Stainless Steel Base with Adjustable Undershef —Budget Series

### MODELS:

- |                                   |                                    |                                    |                                    |
|-----------------------------------|------------------------------------|------------------------------------|------------------------------------|
| <input type="checkbox"/> UT2424SB | <input type="checkbox"/> UT24108SB | <input type="checkbox"/> UT3072SB  | <input type="checkbox"/> UT3660SB  |
| <input type="checkbox"/> UT2430SB | <input type="checkbox"/> UT24120SB | <input type="checkbox"/> UT3084SB  | <input type="checkbox"/> UT3672SB  |
| <input type="checkbox"/> UT2436SB | <input type="checkbox"/> UT24132SB | <input type="checkbox"/> UT3096SB  | <input type="checkbox"/> UT3684SB  |
| <input type="checkbox"/> UT2448SB | <input type="checkbox"/> UT24144SB | <input type="checkbox"/> UT30108SB | <input type="checkbox"/> UT3696SB  |
| <input type="checkbox"/> UT2460SB | <input type="checkbox"/> UT3030SB  | <input type="checkbox"/> UT30120SB | <input type="checkbox"/> UT36108SB |
| <input type="checkbox"/> UT2472SB | <input type="checkbox"/> UT3036SB  | <input type="checkbox"/> UT30132SB | <input type="checkbox"/> UT36120SB |
| <input type="checkbox"/> UT2484SB | <input type="checkbox"/> UT3048SB  | <input type="checkbox"/> UT30144SB | <input type="checkbox"/> UT36132SB |
| <input type="checkbox"/> UT2496SB | <input type="checkbox"/> UT3060SB  | <input type="checkbox"/> UT3648SB  | <input type="checkbox"/> UT36144SB |

### Tabletop

- Patented uni-lok® gusset system (patent #5,165,349); gussets are recessed into hat channel, reducing lateral movement.
- Top reinforced with welded-on hat channel.
- Sound-deadened between top and channels.
- 1½" (38mm) 90° rear upturn with radius at intersection.
- 1½" (41mm)-diameter 180° rolled edge on front. Ends are turned down 90° providing for flush installations when required.
- Heavy gauge type 430 polished stainless steel.

### Adjustable Undershef

- Heavy gauge stainless steel.
- Gusset welded on each corner.
- Heavy duty marine edge.

### Legs—1½" (41mm)-diameter

- Units 96" to 120" (2438 to 3048mm) long come with six legs; Units 132" and 144" (3353 and 3658mm) come with eight legs.
- Heavy gauge stainless steel.
- 1" (25mm) adjustable stainless steel feet.

### Options / Accessories

- |                                                                |                                                                        |
|----------------------------------------------------------------|------------------------------------------------------------------------|
| <input type="checkbox"/> Drawer                                | <input type="checkbox"/> Duplex receptacles                            |
| <input type="checkbox"/> Lock                                  | <input type="checkbox"/> Pot rack                                      |
| <input type="checkbox"/> Casters                               | <input type="checkbox"/> Sink                                          |
| <input type="checkbox"/> Overshelves                           | <input type="checkbox"/> Additional undershef                          |
| <input type="checkbox"/> Knockdown Welded Base (see back page) | <input type="checkbox"/> Stabilizer Bar (for 30"- and 36"-wide tables) |

### Certifications / Approvals



### EAGLE GROUP

100 Industrial Boulevard, Clayton, DE 19938-8903 USA  
 Phone: 302-653-3000 • 800-441-8440 • Fax: 302-653-2065  
 www.eaglegrp.com  
 www.eaglegrpnews.com  
 www.eaglemhc.com

For custom configuration or fabrication needs, contact our SpecFAB® Division.  
 Phone: 302-653-3000 • Fax: 302-653-2065 • e-mail: quotes@eaglegrp.com

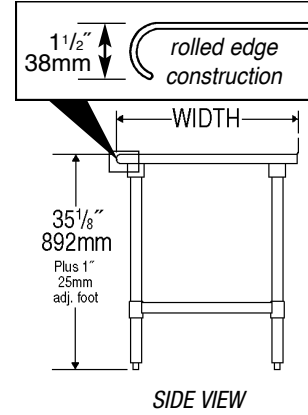
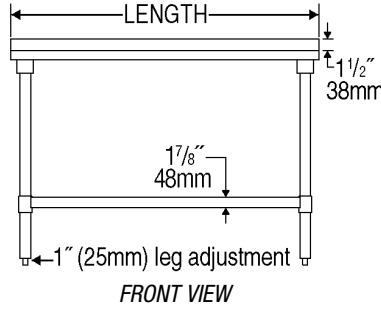
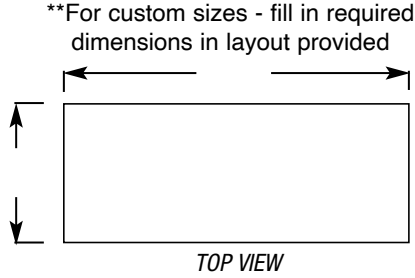
EG10.48A Rev. 07/23

Spec sheets available for viewing, printing or downloading from our online literature library at our websites

Eagle Foodservice Equipment, Eagle MHC, and SpecFAB® are divisions of Eagle Group. ©2023 by the Eagle Group

Item No.: \_\_\_\_\_  
Project No.: \_\_\_\_\_  
S.I.S. No.: \_\_\_\_\_

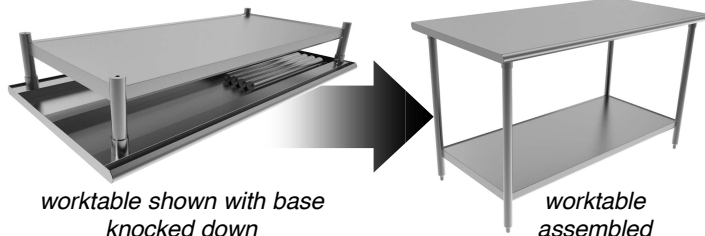
# Worktables with Rear Upturn and Stainless Steel Base with Adjustable Undershelf—Budget Series



model #	# of legs	width		length		weight	
		in.	mm	in.	mm	lbs.	kg
UT2424SB	4	24"	610	24"	610	40	18.1
UT2430SB	4	24"	610	30"	762	45	20.4
UT2436SB	4	24"	610	36"	914	50	22.7
UT2448SB	4	24"	610	48"	1219	60	27.2
UT2460SB	4	24"	610	60"	1524	70	31.8
UT2472SB	4	24"	610	72"	1829	80	36.3
UT2484SB	4	24"	610	84"	2134	90	40.8
UT2496SB	6	24"	610	96"	2438	100	45.4
UT24108SB	6	24"	610	108"	2743	110	49.9
UT24120SB	6	24"	610	120"	3048	120	54.4
UT24132SB	8	24"	610	132"	3353	130	59.0
UT24144SB	8	24"	610	144"	3658	140	63.5
UT3030SB	4	30"	762	30"	762	50	22.7
UT3036SB	4	30"	762	36"	914	55	24.9
UT3048SB	4	30"	762	48"	1219	65	29.5
UT3060SB	4	30"	762	60"	1524	75	34.0
UT3072SB	4	30"	762	72"	1829	85	38.6
UT3084SB	4	30"	762	84"	2134	95	43.1
UT3096SB	6	30"	762	96"	2438	105	47.6
UT30108SB	6	30"	762	108"	2743	115	52.2
UT30120SB	6	30"	762	120"	3048	125	56.7
UT30132SB	8	30"	762	132"	3353	135	61.2
UT30144SB	8	30"	762	144"	3658	145	65.8
UT3648SB	4	36"	914	48"	1219	75	34.0
UT3660SB	4	36"	914	60"	1524	85	38.6
UT3672SB	4	36"	914	72"	1829	95	43.1
UT3684SB	4	36"	914	84"	2134	105	47.6
UT3696SB	6	36"	914	96"	2438	115	52.2
UT36108SB	6	36"	914	108"	2743	125	56.7
UT36120SB	6	36"	914	120"	3048	135	61.2
UT36132SB	8	36"	914	132"	3353	145	65.8
UT36144SB	8	36"	914	144"	3658	155	70.3

## NEW Option for Worktables with Stainless Steel Base: Knockdown Welded Base

**PATENT PENDING**



- Precision machined stainless steel threaded inserts pressed into 16 gauge 1 5/8"-diameter leg sections for knockdown construction
- Marine edge stainless steel undershelf welded to lower leg sections

Add suffix "**-KDWB**" to worktable model number (ex: UT2436SB-**KDWB**). See EG8217 for more info.

**EAGLE GROUP**  
100 Industrial Boulevard, Clayton, DE 19938-8903 USA  
Phone: 302-653-3000 or 800-441-8440 • Fax: 302-653-2065  
www.eaglegrp.com • www.eaglegrpnews.com • www.eaglehmc.com

Printed in U.S.A.  
©2023 by Eagle Group  
Rev. 07/23

Spec sheets available for viewing, printing or downloading from our online literature library at our websites

Although every attempt has been made to ensure the accuracy of the information provided, we cannot be held responsible for typographical or printing errors. Information and specifications are subject to change without notice. Please confirm at time of order.