



Profit from the Eagle Advantage®

# Specification Sheet

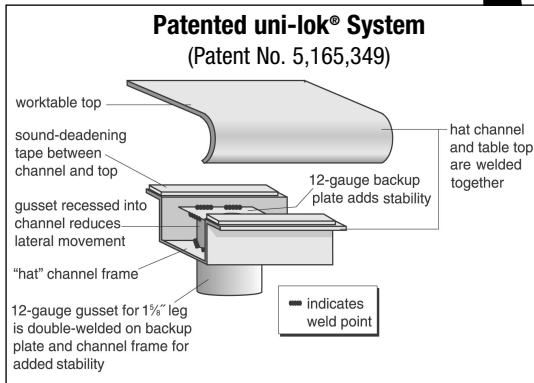
## Short Form Specifications

Eagle Knock Down Worktable with Cabinet Kit, model \_\_\_\_\_ . Top and side panels to be heavy gauge type 430 stainless steel, with 4½" x 1" backsplash. Base to have (hinged, sliding) doors, table to have stainless steel enclosed sides and front with open rear. Unit ships knocked down.

**PATENTED!**  
(Patent #6,981,751)



T3036BA-BS-HGD



## Options / Accessories

- Casters
- Locks

## EAGLE GROUP

100 Industrial Boulevard, Clayton, DE 19938-8903 USA  
Phone: 302-653-3000 • 800-441-8440 • Fax: 302-653-2065  
www.eaglegrp.com  
www.eaglemhc.com

For custom configuration or fabrication needs, contact our SpecFAB® Division.  
Phone: 302-653-3000 • Fax: 302-653-2065 • e-mail: quotes@eaglegrp.com

Item No.: \_\_\_\_\_  
 Project No.: \_\_\_\_\_  
 S.I.S. No.: \_\_\_\_\_

# Knock Down Worktables with Cabinet Kit

## MODELS:

- |   |   |
|---|---|
| <input type="checkbox"/> T3036BA-BS-HGD | <input type="checkbox"/> T3036BA-BS-SLD |
| <input type="checkbox"/> T3048BA-BS-HGD | <input type="checkbox"/> T3048BA-BS-SLD |
| <input type="checkbox"/> T3060BA-BS-HGD | <input type="checkbox"/> T3060BA-BS-SLD |

## Features

- Patented design (patent #6,981,751).
- Type 430 stainless steel tabletop and side panels.
- 34½" (876mm) working height with plastic adjustable feet.
- 1½" (41mm) diameter galvanized legs.
- Patented uni-lok® (patent #5,165,349) leg channel supports left-to-right.
- Plated gusset holders.
- Stainless steel worksurface with integral 4½" high x 1" deep (114 x 25mm) backsplash.
- Shipped knocked down and easy to assemble.
- Stainless steel exposed enclosure panels on sides and doors.
- Full-size galvanized undershelf.

## HGD Series - Tables with Hinged Doors

- Chrome pull handles.
- Magnetic door catch.
- Lift-off hinge construction.

## SLD Series - Tables with Sliding Doors

- Integrated full height vertical handle.
- Removable bottom track without tools.
- Doors feature rubber bumpers and button glides.

## Certifications / Approvals



AutoQuotes



EG10.36 Rev. 03/24

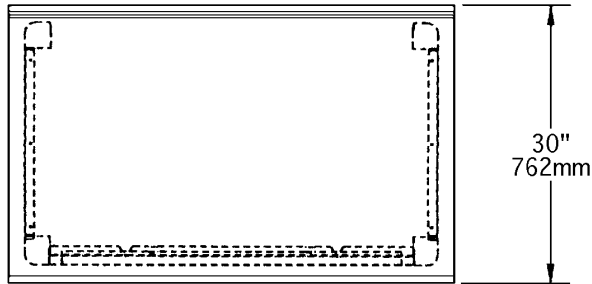
Spec sheets available for viewing, printing or downloading from our online literature library at our websites

Eagle Foodservice Equipment, Eagle MHC, and SpecFAB® are divisions of Eagle Group. ©2024 by the Eagle Group

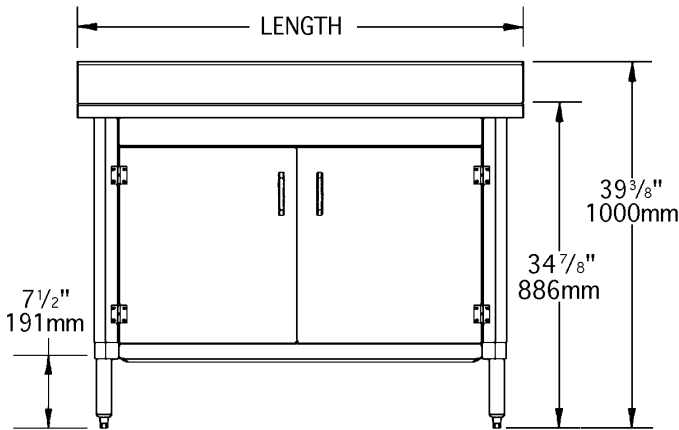


Item No.: \_\_\_\_\_  
 Project No.: \_\_\_\_\_  
 S.I.S. No.: \_\_\_\_\_

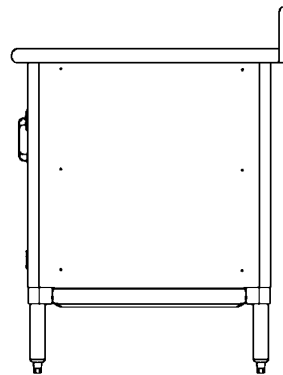
# Knock Down Worktables with Cabinet Kit



TOP VIEW



FRONT VIEW



SIDE VIEW

Note: HGD Series table with hinged doors shown

WITH HINGED DOORS model #	WITH SLIDING DOORS model #	width		length		weight	
		in.	mm	in.	mm	lbs.	kg
T3036BA-BS-HGD	T3036BA-BS-SLD	30"	762	36"	914	52	23.6
T3048BA-BS-HGD	T3048BA-BS-SLD	30"	762	48"	1219	66	29.9
T3060BA-BS-HGD	T3060BA-BS-SLD	30"	762	60"	1524	79	35.8

**EAGLE GROUP**  
 100 Industrial Boulevard, Clayton, DE 19938-8903 USA  
 Phone: 302-653-3000 or 800-441-8440 • Fax: 302-653-2065  
 www.eaglegrp.com • www.eaglehmc.com

Printed in U.S.A.  
 ©2024 by Eagle Group  
 Rev. 03/24

Spec sheets available for viewing, printing or downloading from our online literature library at our websites

Although every attempt has been made to ensure the accuracy of the information provided, we cannot be held responsible for typographical or printing errors. Information and specifications are subject to change without notice. Please confirm at time of order.