



Profit from the Eagle Advantage®

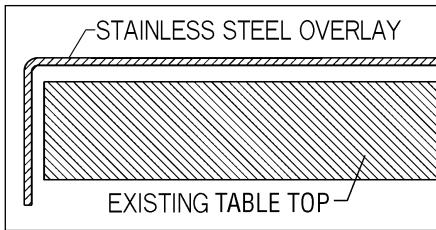
# Specification Sheet

## Short Form Specifications

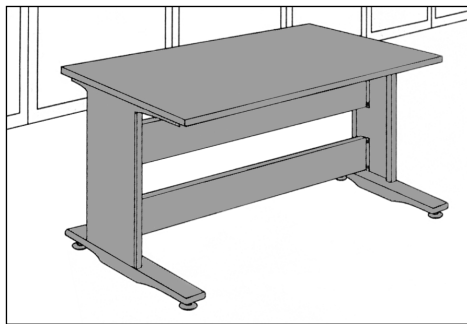
Eagle Stainless Steel Overlay, model \_\_\_\_\_.  
 Economical upgrade to existing work surface, with no fasteners needed. 16 gauge type 304 stainless steel construction with satin finish. Durable finish allowing easy cleanup. Bottom edge with medical deburr on all four sides. Corners are welded and polished. Custom sizes and material gauges available.



24" x 48" stainless steel overlay



overlay fitted onto tabletop



process table

Item No.: \_\_\_\_\_  
 Project No.: \_\_\_\_\_  
 S.I.S. No.: \_\_\_\_\_

## Stainless Steel Overlays for Process Tables

### MODELS:

- |                                 |                                 |                                 |
|---------------------------------|---------------------------------|---------------------------------|
| <input type="checkbox"/> 353761 | <input type="checkbox"/> 353767 | <input type="checkbox"/> 353774 |
| <input type="checkbox"/> 353762 | <input type="checkbox"/> 353768 | <input type="checkbox"/> 353775 |
| <input type="checkbox"/> 353763 | <input type="checkbox"/> 353770 | <input type="checkbox"/> 353776 |
| <input type="checkbox"/> 353764 | <input type="checkbox"/> 353771 | <input type="checkbox"/> 362659 |
| <input type="checkbox"/> 353765 | <input type="checkbox"/> 353772 | <input type="checkbox"/> 382984 |
| <input type="checkbox"/> 353766 | <input type="checkbox"/> 353773 |                                 |

### Design and Construction Features

- 16 gauge type 304 stainless steel construction with satin finish.
- Effortless installation, no fasteners required. Liquid adhesive could be used per application.
- Durable finish allowing easy cleanup.
- Economical upgrade to existing work surface.
- Bottom edge with medical deburr on all four sides.
- Corners are welded and polished.
- Custom sizes and material gauges are available.

	width x length		model #
	in.	mm	
	24" x 24"	610 x 610	353761
	24" x 30"	610 x 762	353762
	24" x 36"	610 x 914	353763
	24" x 48"	610 x 1219	353764
	24" x 51"	610 x 1295	353765
	24" x 60"	610 x 1524	353766
	24" x 72"	610 x 1829	353767
	24" x 96"	610 x 2438	353768
	30" x 30"	762 x 762	353770
	30" x 36"	762 x 914	353771
	30" x 48"	762 x 1219	353772
	30" x 51"	762 x 1295	353773
	30" x 60"	762 x 1524	353774
	30" x 72"	762 x 1829	353775
	30" x 96"	762 x 2438	353776
	36" x 60"	914 x 1524	382984
	36" x 72"	914 x 1829	362659

NOTE: All widths and lengths are inside measurements.

### EAGLE GROUP

100 Industrial Boulevard, Clayton, DE 19938-8903 USA

Phone: 302-653-3000 • 800-441-8440 • Fax: 302-653-2065

www.eaglegrp.com

www.eaglegrpnews.com

www.eaglemhc.com

For custom configuration or fabrication needs, contact our SpecFAB® Division.

Phone: 302-653-3000 • Fax: 302-653-2065 • e-mail: quotes@eaglegrp.com

EG05.00 Rev. 09/23

Spec sheets available for viewing, printing or downloading from our online literature library at our websites

Eagle Foodservice Equipment, Eagle MHC, and SpecFAB® are divisions of Eagle Group. ©2023 by the Eagle Group