

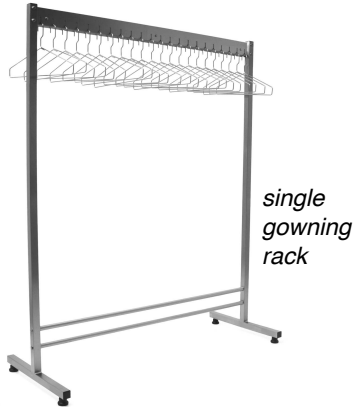


Profit from the Eagle Advantage®

Specification Sheet

Short Form Specifications

1½" welded tube frame is shipped knocked-down and bolted together with cross members. Brushed 300 series stainless steel. Available with or without keeper bar that secures hangers to hanger rail, preventing hanger removal. Nylon dissipative feet standard. Hanger slots are standard on 2½" centers, with other spacing available. Hangers not included.



single gowning rack



dual gowning rack



cantilever gowning rack

(hangers shown above not included)

Options / Accessories

- Hangers
- Foot plates
- Custom hanger slot spacing

EAGLE GROUP

100 Industrial Boulevard, Clayton, DE 19938-8903 USA
 Phone: 302-653-3000 • 800-441-8440 • Fax: 302-653-2065
www.eaglegrp.com
www.eaglegrpnews.com
www.eaglemhc.com

For custom configuration or fabrication needs, contact our **SpecFAB® Division**.
 Phone: 302-653-3000 • Fax: 302-653-2065 • e-mail: quotes@eaglegrp.com

Item No.:	_____
Project No.:	_____
S.I.S. No.:	_____

Freestanding Gowning Racks with Hanger Rail

MODELS:

- | | | | |
|---------------------------------|---------------------------------|----------------------------------|----------------------------------|
| <input type="checkbox"/> S2448* | <input type="checkbox"/> S2472* | <input type="checkbox"/> EP2448* | <input type="checkbox"/> EP2472* |
| <input type="checkbox"/> S2460* | <input type="checkbox"/> S2484* | <input type="checkbox"/> EP2460* | <input type="checkbox"/> EP2484* |

* See charts on back for complete model numbers.

Design and Construction Features

- 14 gauge hanger rails with hanger slots spaced on standard 2½" (64mm) centers. Slots designed to retain gowns in a fixed position by allowing the hangers (not included) to swing front-to-back but not left-to-right, while the shape facilitates a smoother laminar flow than many square hanger rails.
- Vertical supports are constructed of heavy gauge type 304 stainless steel 1½" (38mm) square tubing, fully welded, ground and polished to its original finish. Each unit is supplied with four adjustable feet that are constructed to dissipate a static charge.
- Horizontal supports are bolted to vertical uprights using stainless steel bolts. Constructed of 1" (25mm) O.D. type 304 stainless steel tubing with heavy gauge stainless steel backing plate.
- Hanger rail is constructed of heavy gauge type 304 stainless steel with hanger slots located every 2½" (64mm) along the length of the rail. Other spacing available (see back page).
- Standard 2" (51mm)-diameter, nylon dissipative feet with ½" (13mm) adjustability. Optional foot plates available to affix gowning rack to the floor.
- Available with a Keeper Bar option to hinder removal of hangers and prevent gowns from falling onto floor.
- Type 304 series stainless steel with #4 satin finish.
- Single, dual, and cantilever styles available.
- Shipped knocked-down, saving in freight costs and damages.



Profit from the Eagle Advantage®

Item No.: _____
 Project No.: _____
 S.I.S. No.: _____

Freestanding Gowning Racks with Hanger Rail

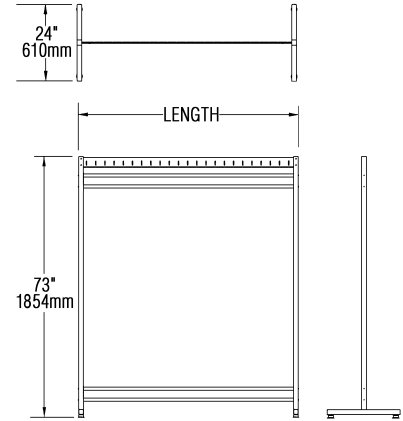
Single Gowning Racks...

...with Non-Removable Hangers

stainless steel model #	width		length		weight		number of hanger slots
	in.	mm	in.	mm	lbs.	kg	
S2448-SGRN	24"	610	48"	1219	40	18.1	17
S2460-SGRN	24"	610	60"	1524	45	20.4	22
S2472-SGRN	24"	610	72"	1829	50	22.7	26
S2484-SGRN	24"	610	84"	2134	55	24.9	31

...with Removable Hangers

stainless steel model #	width		length		weight		number of hanger slots
	in.	mm	in.	mm	lbs.	kg	
S2448-SGRR	24"	610	48"	1219	40	18.1	17
S2460-SGRR	24"	610	60"	1524	45	20.4	22
S2472-SGRR	24"	610	72"	1829	50	22.7	26
S2484-SGRR	24"	610	84"	2134	55	24.9	31



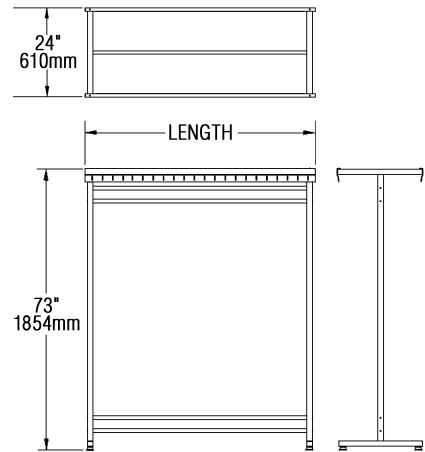
Double Gowning Racks

...with Non-Removable Hangers

stainless steel model #	width		length		weight		number of hanger slots
	in.	mm	in.	mm	lbs.	kg	
S2448-DGRN	24"	610	48"	1219	59	26.7	38
S2460-DGRN	24"	610	60"	1524	68	30.8	48
S2472-DGRN	24"	610	72"	1829	77	34.9	58
S2484-DGRN	24"	610	84"	2134	86	39.0	66

...with Removable Hangers

stainless steel model #	width		length		weight		number of hanger slots
	in.	mm	in.	mm	lbs.	kg	
S2448-DGRR	24"	610	48"	1219	59	26.7	38
S2460-DGRR	24"	610	60"	1524	68	30.8	48
S2472-DGRR	24"	610	72"	1829	77	34.9	58
S2484-DGRR	24"	610	84"	2134	86	39.0	66



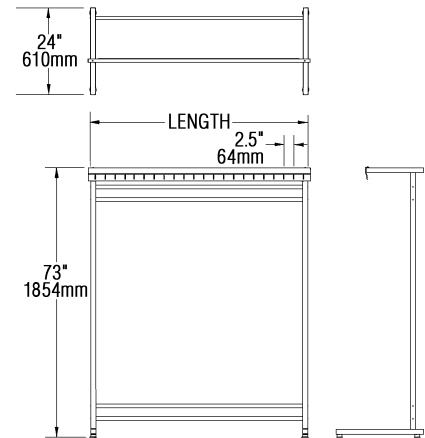
Cantilever Gowning Racks

...with Non-Removable Hangers

stainless steel model #	width		length		weight		number of hanger slots
	in.	mm	in.	mm	lbs.	kg	
S2448-CGRN	24"	610	48"	1219	45	20.4	19
S2460-CGRN	24"	610	60"	1524	50	22.7	24
S2472-CGRN	24"	610	72"	1829	55	24.9	29
S2484-CGRN	24"	610	84"	2134	60	27.2	33

...with Removable Hangers

stainless steel model #	width		length		weight		number of hanger slots
	in.	mm	in.	mm	lbs.	kg	
S2448-CGRR	24"	610	48"	1219	45	20.4	19
S2460-CGRR	24"	610	60"	1524	50	22.7	24
S2472-CGRR	24"	610	72"	1829	55	24.9	29
S2484-CGRR	24"	610	84"	2134	60	27.2	33



EAGLE GROUP

100 Industrial Boulevard, Clayton, DE 19938-8903 USA

Phone: 302-653-3000 or 800-441-8440 • Fax: 302-653-2065

www.eaglegrp.com • www.eaglegrpnews.com • www.eaglehmc.com

Printed in U.S.A.
 ©2023 by Eagle Group

Rev. 10/23

Spec sheets available for viewing, printing or downloading from our online literature library at our websites

Although every attempt has been made to ensure the accuracy of the information provided, we cannot be held responsible for typographical or printing errors. Information and specifications are subject to change without notice. Please confirm at time of order.