

Solid Gowning Benches

ASSEMBLY INSTRUCTIONS

CAUTION

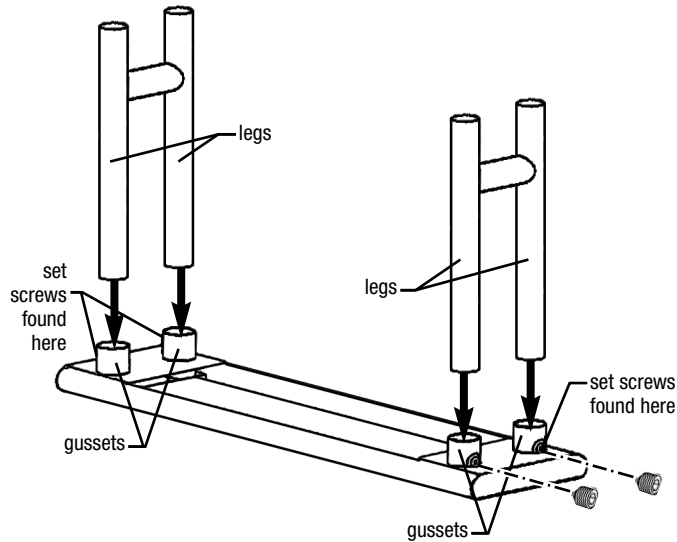
INSPECT CONTENTS IMMEDIATELY AND FILE CLAIM WITH DELIVERING CARRIER FOR ANY DAMAGE.

SAVE YOUR BOX AND ALL PACKING MATERIALS.

YOU ARE RESPONSIBLE FOR DAMAGE TO YOUR UNIT IF RETURNED IMPROPERLY PACKED.

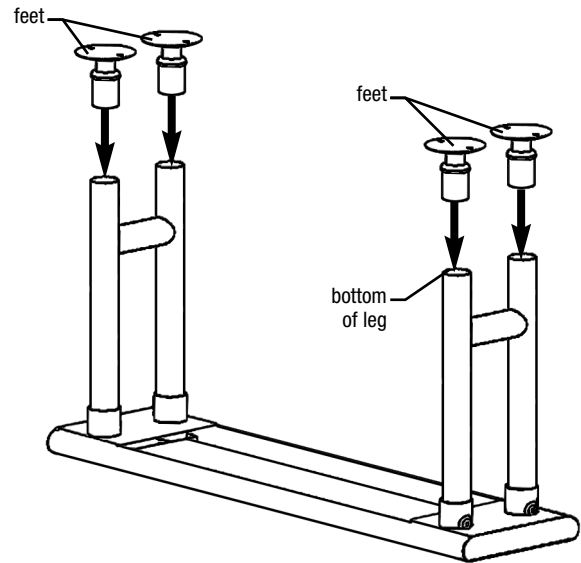
Step 1 - Attach legs to top.

- Lay top upside down so that the gussets face upward.
Note: Take care not to scratch the finish.
- Insert legs into gussets.
- Tighten all set screws.

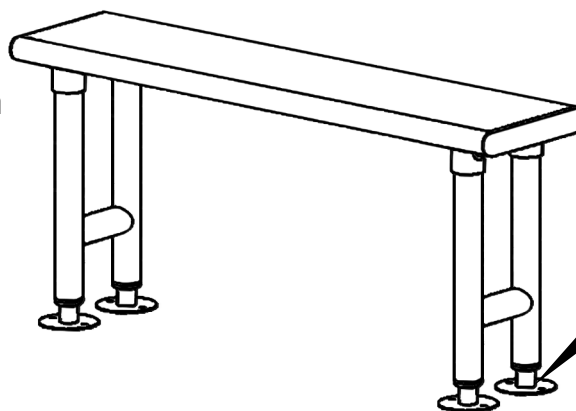


Step 2 - Assemble feet to bottom of legs.

- Use a rubber mallet to insert feet into bottom of legs.



Step 3 - Flip the bench onto its feet.



Step 4 - Secure feet to the floor.

Note: Hardware not included.

Assembly is complete.

