



Profit from the Eagle Advantage®

Specification Sheet

Short Form Specifications

Eagle Integrated Handwashing System, model HFL-5000. MICROGARD® antibacterial coated 304 stainless steel with deep-draw, water-saving, splash-resistant sink bowl. Removable trash container. Convenient hook for hygienic nailbrush. Chicago Faucets HyTronic® dual-beam, ultra-reliable sensor faucet with SSPS, a self-generating power system. New enMotion® paper towel dispenser. GOJO's ES8, no-touch dispensers for Purell® soap & sanitizer with "Energy on the Refill" eliminating traditional battery changes. Equipped with docking port to match multiple electronic handwash monitoring systems. Two OneSAFE™ glove racks.



#HFL-5000 with towel dispenser, soap dispenser, hand sanitizer dispenser and glove box holders.

| | |
|--------------|-------|
| Item No.: | _____ |
| Project No.: | _____ |
| S.I.S. No.: | _____ |

HFL-5000 Series Touch-Free Handwashing Systems

MODELS:

- HFL-5000
- HFL-5000-S
- HFL-5000-LRS

HFL-5000 Components:

- **Eagle** hand sink model #HSA-10-FE-B-T-NB-MG with MICROGARD® antimicrobial protection.
- **Georgia-Pacific PRO** enMotion® Impulse® 8" Automated Touchless Paper Towel Dispenser. Model #59498A. Increased reliability. Easy and fast roll changing. Quiet operation. Space-saving. Black. Eagle part #384796.
- **Chicago Faucets** HyTronic splash-mount gooseneck faucet, with dual-beam, infrared sensor. Self Sustaining Power System creates the power needed, even with low flow outlets. Eagle part #384969.
- **Purell ES8** hand sanitizing dispenser. Model #7724-01. For Purell® Hand Sanitizer, with Energy-on-the-Refill. Eagle part #377455.
- **Purell ES8** soap dispenser. Model #7734-01. For Purell® Brand Healthy Soap®, with Energy-on-the-Refill. Eagle part #377456.
- **FoodHandler OneSafe™** glove racks. Model #11-1SF1. Eagle part #352855.
- **Justman** fused-bristle nail brush. Model #1832. Eagle part #348602.

NOTE: Model HFL-5000 by EAGLE is listed under Kochman AutoCAD symbol library for foodservice equipment.

EAGLE GROUP
100 Industrial Boulevard
Clayton, DE 19938-8903 USA
Phone: 302-653-3000 • 800-441-8440
Fax: 302-653-2065
www.eaglegrp.com • www.eaglemhc.com

For custom configuration or fabrication needs, contact our **SpecFAB®** Division.
Phone: 302-653-3000 • Fax: 302-653-2065 • e-mail: quotes@eaglegrp.com



EG20.55 Rev. 02/21

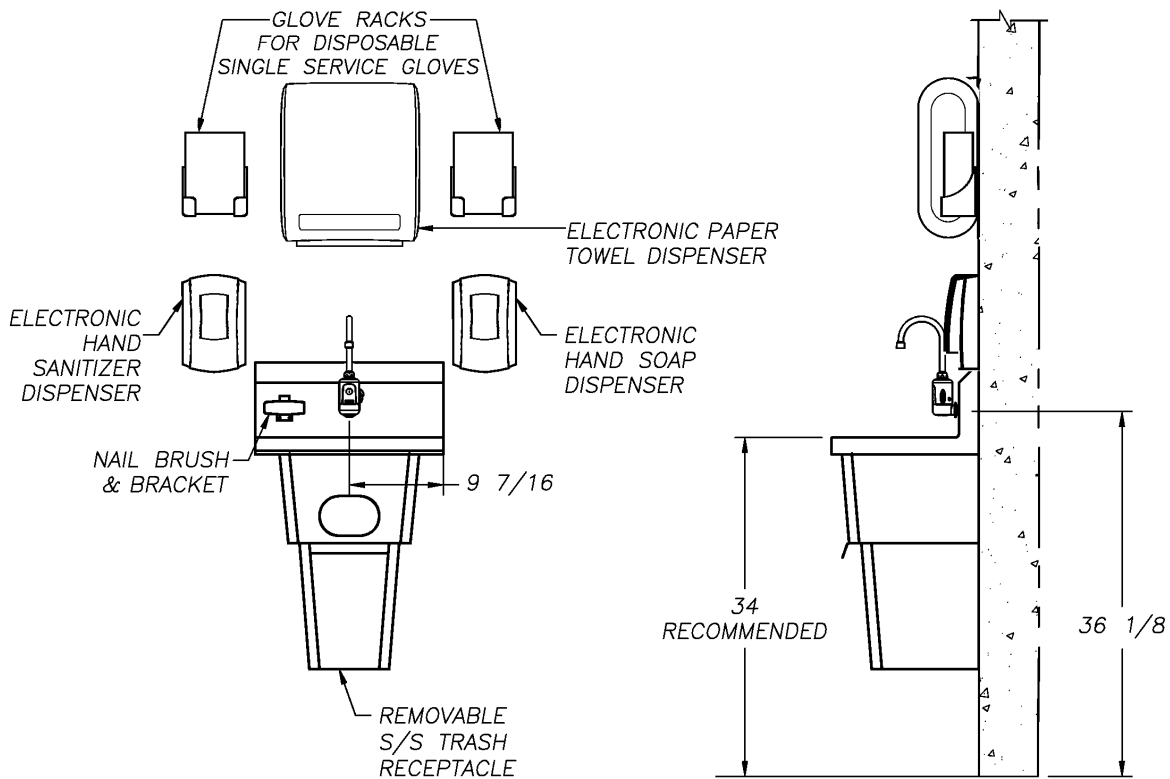
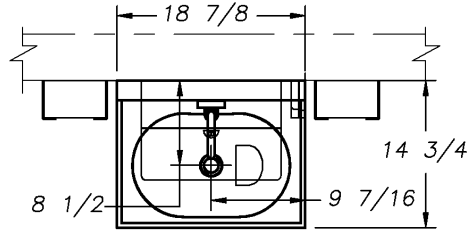
Spec sheets available for viewing, printing or downloading from our online literature library at www.eaglegrp.com

Eagle Foodservice Equipment, Eagle MHC, and SpecFAB® are divisions of Eagle Group. ©2021 by the Eagle Group



Item No.: _____
 Project No.: _____
 S.I.S. No.: _____

HFL-5000 Series Touch-Free Handwashing Systems



| model # | description of hand sink included |
|---------------------|--|
| HFL-5000 | hand sink with waste receptacle |
| HFL-5000-S | hand sink with skirt (no waste receptacle) |
| HFL-5000-LRS | hand sink with waste receptacle and end splashes |

NOTE: All hand sinks in HFL-5000 Series feature MICROGARD® antimicrobial protection.

EAGLE GROUP
 100 Industrial Boulevard, Clayton, DE 19938-8903 USA
 Phone: 302-653-3000 or 800-441-8440 • Fax: 302-653-2065
 www.eaglegrp.com • www.eaglegrp.com

Printed in U.S.A.
 ©2021 by Eagle Group
 Rev. 02/21

Spec sheets available for viewing, printing or downloading from our online literature library at www.eaglegrp.com

Although every attempt has been made to ensure the accuracy of the information provided, we cannot be held responsible for typographical or printing errors. Information and specifications are subject to change without notice. Please confirm at time of order.