



Profit from the Eagle Advantage®

Specification Sheet

Short Form Specifications

Eagle Physically Challenged Hand Sink, model HSAP-14-FW. Constructed of type 304 stainless steel with 16" x 14" x 5" deep sink bowl, basket drain, inverted "V" edge to prevent spillage, and deck mounted gooseneck faucet with wrist handles.

Eagle Physically Challenged ADA Hand Sink, model _____ . Constructed of type 304 stainless steel all welded with fabricated sink bowl, drain, front loading C-fold paper towel dispenser, deck-mounted soap dispenser, stainless steel skirt, and splash-mounted faucet. #HSAP-14-ADA-FE-B features battery-powered electronic-eye faucet with low battery indicator light. #HSAP-14-ADA-FW features faucet with wrist handles (#313305), shipped with unit but not installed by Eagle.



#HSAP-14-ADA-FE-B



#HSAP-14-FW



#HSAP-14-ADA-FW

Options / Accessories

- P-trap*
- Tail piece*
- Anti-scald valve**
- Temperature adjustment valve**
- Side splashes***

* for #HSAP-14-FW sink

** for #HSAP-14-ADA-FE-B sink

*** for #HSAP-14-ADA-FE-B and HSAP-14-ADA-FW sinks

EAGLE GROUP

100 Industrial Boulevard, Clayton, DE 19938-8903 USA
 Phone: 302-653-3000 • 800-441-8440 • Fax: 302-653-2065
www.eaglegrp.com
www.eaglegrpnews.com
www.eaglemhc.com

For custom configuration or fabrication needs, contact our **SpecFAB® Division**.
 Phone: 302-653-3000 • Fax: 302-653-2065 • e-mail: quotes@eaglegrp.com

Item No.: _____
 Project No.: _____
 S.I.S. No.: _____

Physically Challenged Hand Sinks

MODELS:

- HSAP-14-FW**
- HSAP-14-ADA-FE-B**
- HSAP-14-ADA-FW**

Model #HSAP-14-FW

- 16 gauge type 304 stainless steel all-welded construction.
- 16" x 14" x 5" (406 x 356 x 127mm) bowl with generous 5/8" (16mm) radius.
- Inverted "V" edge rim design to retard deck spillage.
- Deck mounting faucet comes standard with wrist handles.
- Standard wall brackets for added strength and stability.
- Water inlet: 1/2" (13mm) NPS.
- Drain outlet: 1 1/2" (38mm) NPS.

"ADA" Hand Sinks

- 16 gauge type 304 stainless steel construction.
- 16" x 14" x 5" (406 x 356 x 127mm) sink bowl with 1 1/2" (38mm) stainless steel basket drain.
- Deck mounted 16 oz. soap dispenser with chrome valve.
- C-fold paper towel dispenser, 4" x 10" (102 x 254mm).
- Heavy gauge type 304 stainless steel skirt assembly with accessibility from bottom to change faucet batteries.
- Marine edge on front and sides to retard spillage.
- Chrome-plated p-trap.
- Includes stainless steel "Z" bracket for mounting to wall.
- Water inlet: 1/2" (13mm) NPS.
- Drain outlet: 1 1/2" (38mm) NPS.
- #HSAP-14-ADA-FE-B features battery-powered electronic-eye faucet with low battery indicator light.
- #HSAP-14-ADA-FW features #313305 faucet with wrist handles. Faucet shipped with unit, but not installed.

Certifications / Approvals



AutoQuotes



EG20.45 Rev. 01/23

Spec sheets available for viewing, printing or downloading from our online literature library at our websites

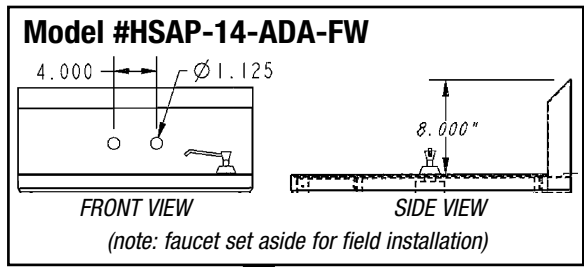
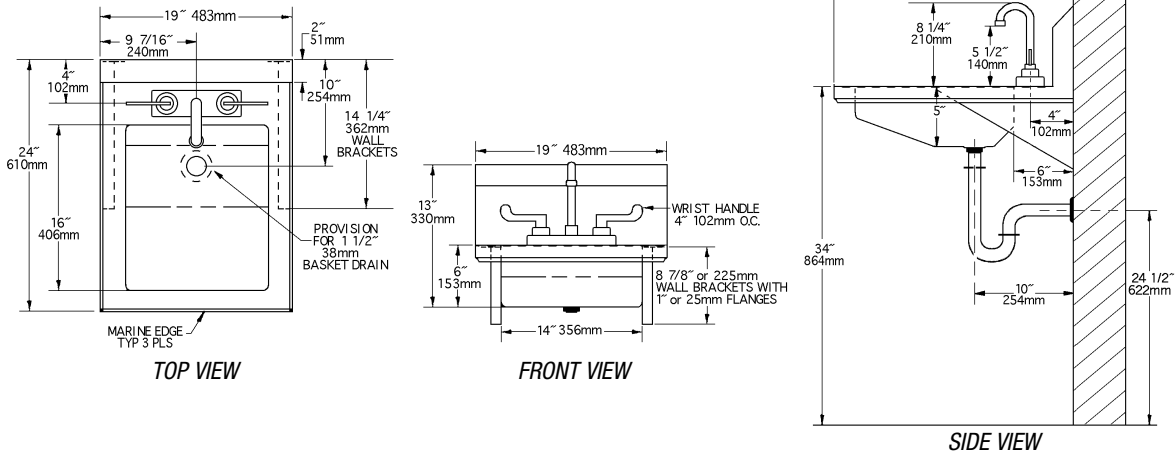
Eagle Foodservice Equipment, Eagle MHC, and SpecFAB® are divisions of Eagle Group. ©2023 by the Eagle Group



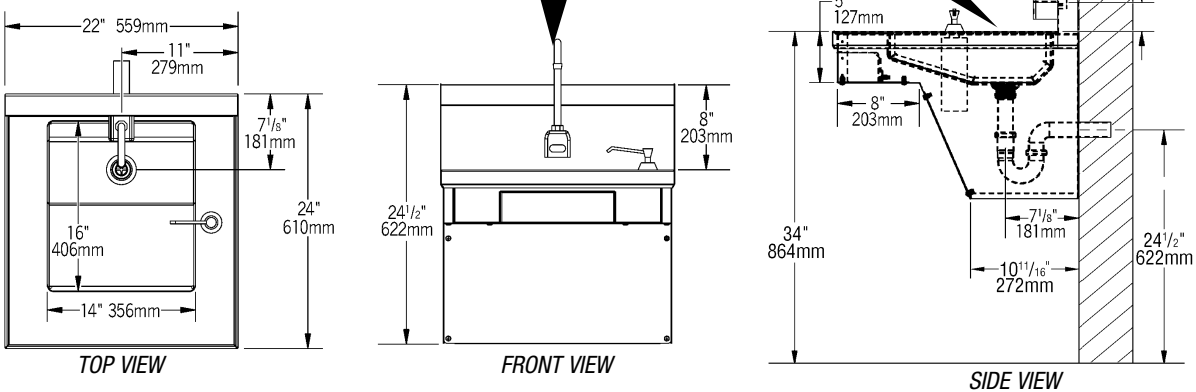
Profit from the Eagle Advantage®

Item No.: _____
 Project No.: _____
 S.I.S. No.: _____

Model #HSAP-14-FW



Model #HSAP-14-ADA-FE-B



model #	includes	bowl size		overall size		weight	
		width in.	length x depth mm	width in.	length x height mm	lbs.	kg
HSAP-14-FW	faucet, basket drain, wall brackets	16"	14" x 5"	406 x 356 x 127	24 1/8" x 19" x 16 1/2"	613 x 483 x 419	28 12.7
HSAP-14-ADA-FE-B	battery-powered electronic-eye splash mount faucet, C-fold towel disp. in front, deck mount soap dispenser, skirt, basket drain	16"	14" x 5"	406 x 356 x 127	24" x 22" x 24 1/2"	610 x 559 x 622	65 29.5
HSAP-14-ADA-FW	splash mount faucet with wrist handles, C-fold towel disp. in front, deck mount soap dispenser, skirt, basket drain	16"	14" x 5"	406 x 356 x 127	24" x 22" x 24 1/2"	610 x 559 x 622	55 24.9

EAGLE GROUP
 100 Industrial Boulevard, Clayton, DE 19938-8903 USA
 Phone: 302-653-3000 or 800-441-8440 • Fax: 302-653-2065
 www.eaglegrp.com • www.eaglegrpnews.com • www.eaglehmc.com

Printed in U.S.A.
 ©2023 by Eagle Group
 Rev. 01/23

Spec sheets available for viewing, printing or downloading from our online literature library at our websites

Although every attempt has been made to ensure the accuracy of the information provided, we cannot be held responsible for typographical or printing errors. Information and specifications are subject to change without notice. Please confirm at time of order.