



Profit from the Eagle Advantage®

# Specification Sheet

## Short Form Specifications

Eagle Space-Saver Hand Sink, model HSAN-10-F. Overall side-to-side dimension of 12". Constructed of type 304 stainless steel with deep-drawn positive drain narrow sink bowl, basket drain, inverted "V" edge to prevent spillage, and splash mounted gooseneck faucet.

Eagle Space-Saver Hand Sink, model HSAND-10-F. Overall side-to-side dimension of 12". Constructed of type 304 stainless steel with deep-drawn positive drain narrow sink bowl, basket drain, inverted "V" edge to prevent spillage, and deck mounted gooseneck faucet.

Eagle Space-Saver Hand Sink, model HSANT-FS. Overall side-to-side dimension of 12". Constructed of type 304 stainless steel with deep-drawn positive drain narrow sink bowl, basket drain, inverted "V" edge to prevent spillage, gooseneck faucet mounted to 19½"-high backsplash, and stainless steel skirt.



model# HSAN-10-F



model# HSAND-10-F



model# HSANT-FS

### EAGLE GROUP

100 Industrial Boulevard, Clayton, DE 19938-8903 USA  
Phone: 302-653-3000 • 800-441-8440 • Fax: 302-653-2065  
www.eaglegrp.com  
www.eaglegrpnews.com  
www.eaglemhc.com

For custom configuration or fabrication needs, contact our SpecFAB® Division.  
Phone: 302-653-3000 • Fax: 302-653-2065 • e-mail: quotes@eaglegrp.com

Item No.: \_\_\_\_\_  
Project No.: \_\_\_\_\_  
S.I.S. No.: \_\_\_\_\_

## Space-Saver Hand Sinks

### MODELS:

- HSAN-10-F
- HSAND-10-F
- HSANT-FS

### Design & Construction Features

- Only 12" (305mm) side-to-side for maximum space efficiency.
- Heavy gauge type 304 18-8 series stainless steel all-welded construction.
- Inverted "V" edge rim retards spillage.
- Unique deep-drawn positive-drain oval bowl assures complete drainage to meet the most stringent health code requirements.
- Three models to choose from: two with splash-mount faucet, and one with deck-mount faucet.

### Options / Accessories

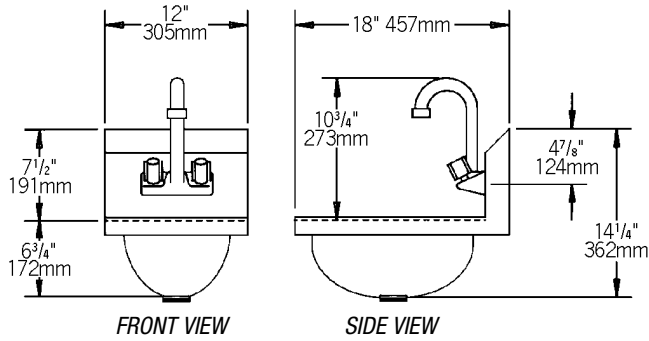
- Wrist handle faucet
- P-trap
- Tail piece



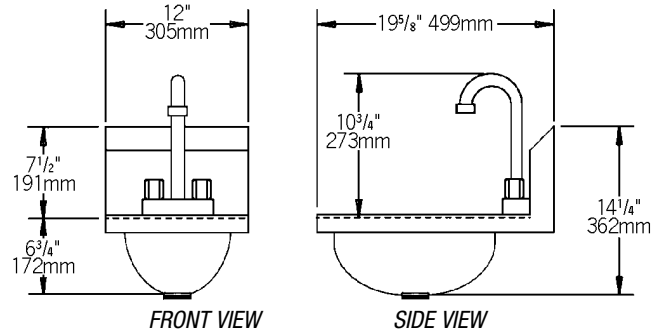
Item No.: \_\_\_\_\_  
Project No.: \_\_\_\_\_  
S.I.S. No.: \_\_\_\_\_

## Space-Saver Hand Sinks

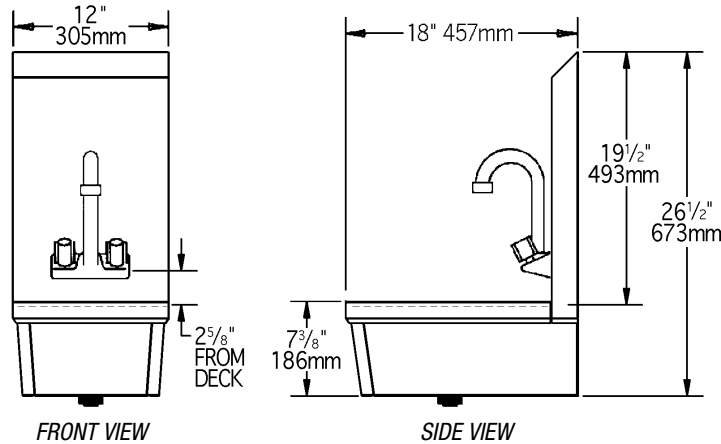
**#HSAN-10-F**



**#HSAND-10-F**



**#HSANT-FS**



model #	includes	bowl size		overall size		weight	
		width in.	length x depth mm	width in.	length x height mm	lbs.	kg
<b>HSAN-10-F</b>	splash mount faucet, basket drain	13 1/2"	9 3/4" x 6 3/4"	343 x 248 x 171	18" x 12" x 14 1/4"	457 x 305 x 362	15 6.8
<b>HSAND-10-F</b>	deck mount faucet, basket drain	13 1/2"	9 3/4" x 6 3/4"	343 x 248 x 171	19 5/8" x 12" x 14 1/4"	498 x 305 x 362	15 6.8
<b>HSANT-FS</b>	splash mount faucet, 19 1/2" (495mm)-high backsplash, skirt, basket drain	13 1/2"	9 3/4" x 6 3/4"	343 x 248 x 171	18" x 12" x 26 1/2"	457 x 305 x 673	26 11.8

**EAGLE GROUP**

100 Industrial Boulevard, Clayton, DE 19938-8903 USA

Phone: 302-653-3000 or 800-441-8440 • Fax: 302-653-2065

www.eaglegrp.com • www.eaglegrpnews.com • www.eaglehmc.com

Printed in U.S.A.  
©2023 by Eagle Group

Rev. 01/23

Spec sheets available for viewing, printing or downloading from our online literature library at our websites

Although every attempt has been made to ensure the accuracy of the information provided, we cannot be held responsible for typographical or printing errors. Information and specifications are subject to change without notice. Please confirm at time of order.