

Pegboards

INSTALLATION INSTRUCTIONS

CAUTION

INSPECT CONTENTS IMMEDIATELY AND FILE CLAIM WITH DELIVERING CARRIER FOR ANY DAMAGE. **SAVE YOUR BOX AND ALL PACKING MATERIALS.** YOU ARE RESPONSIBLE FOR DAMAGE TO YOUR UNIT IF RETURNED IMPROPERLY PACKED.

Thank you for your purchase. Before assembly, read this instruction sheet carefully. After reading, be sure to store this instruction in a safe place, should it be needed for future reference.

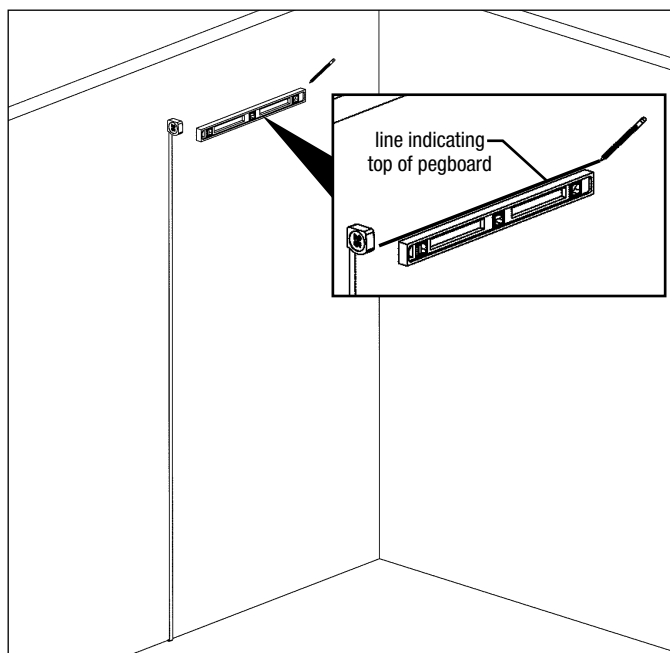
Tools Needed:

- Level
- Drill and 1/8" drill bit
- Tape measure
- Screwdriver or driver bit for hardware*

Before assembly:

- Determine the area where the pegboard will be mounted.
- Verify that you have sufficient structural support in the wall to be able to properly hold the pegboard and its contents.
- Depending on the wall surface, use the appropriate wall mounting hardware*.

IMPORTANT NOTE: Depending on construction of wall, unit should be attached to wall studs, in-wall grounds (wall backing) of plywood or sheet metal, or solid part of brick or concrete wall with appropriate fasteners. Failure to use appropriate fasteners could result in collapse and personal injury. Eagle Group cannot be held responsible for failure of the device or any other devices due to improper installation. Also, it is your responsibility to make certain the mounting surface and method of mounting are suitable to support the anticipated weight which will be placed on this unit.



Step 1:

Measure and mark desired height of pegboard. Use a level to extend line.

* Wall mounting hardware not included

(continued on back page) 

EG10113 Rev. 11/22

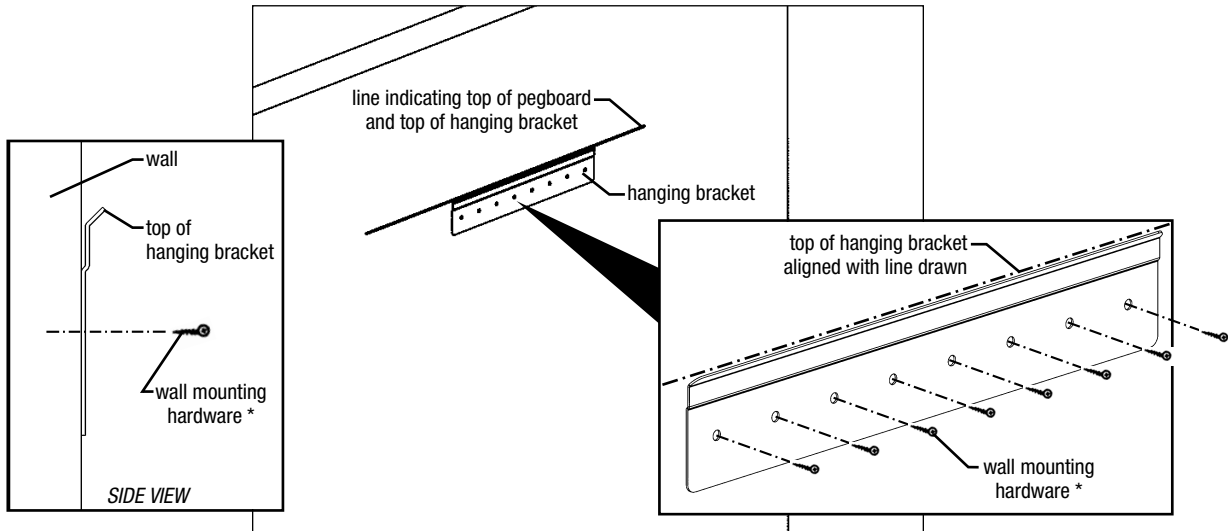


• 100 Industrial Boulevard, Clayton, Delaware 19938-8903 U.S.A.
• Phone: 302/653-3000 • 800/441-8440 • Fax: 302/653-2065
• www.eaglegrp.com • www.eaglegrpnews.com • www.eaglemh.com

Eagle Foodservice Equipment, Eagle MHC, and SpecFAB® are divisions of Eagle Group. ©2022 by the Eagle Group

Pegboards

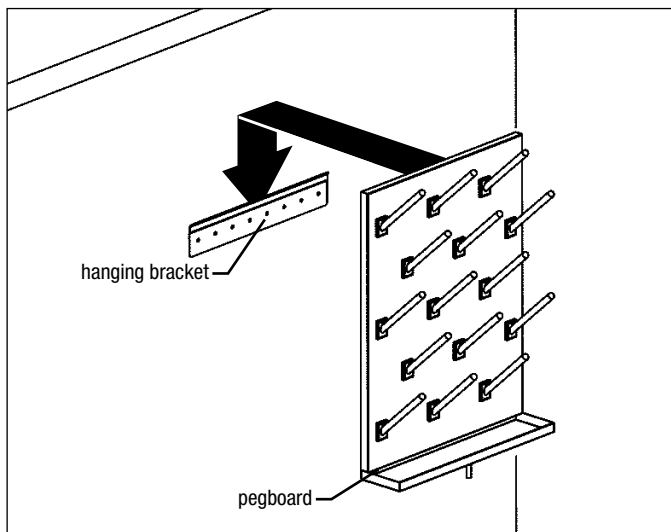
INSTALLATION INSTRUCTIONS



Step 2:

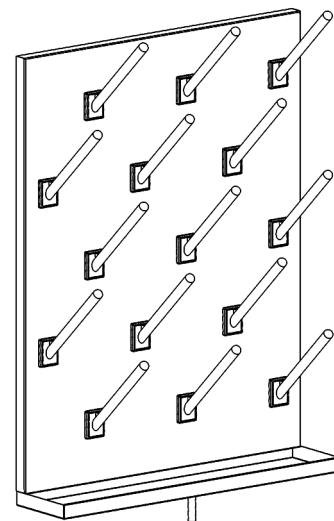
Align top of hanging bracket with the line drawn. Mount hanging bracket to wall*.

CAUTION: Installer must secure bracket to at least one wall stud, and use anchors* on any screws* that cannot be secured to studs.



Step 3:

Hook the back of pegboard onto the wall mounted hanging bracket. Adjust and level to desired location.



Installation is complete.



* Wall mounting hardware not included



- 100 Industrial Boulevard, Clayton, Delaware 19938-8903 U.S.A.
- Phone: 302/653-3000 • 800/441-8440 • Fax: 302/653-2065
- www.eaglegrp.com • www.eaglegrpnews.com • www.eaglemhc.com

Eagle Foodservice Equipment, Eagle MHC, and SpecFAB® are divisions of Eagle Group. ©2022 by the Eagle Group