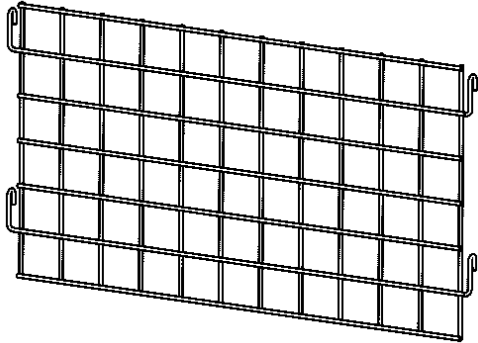


Q-LEVER® Wall Grids

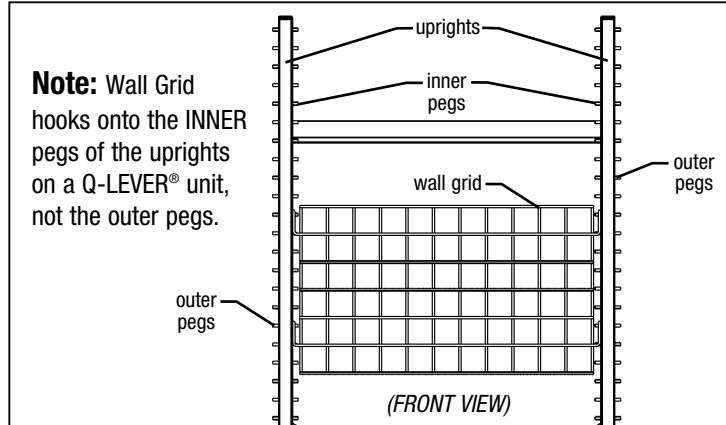
INSTALLATION INSTRUCTIONS

CAUTION

INSPECT CONTENTS IMMEDIATELY AND FILE CLAIM WITH DELIVERING CARRIER FOR ANY DAMAGE.
SAVE YOUR BOX AND ALL PACKING MATERIALS.
YOU ARE RESPONSIBLE FOR DAMAGE TO YOUR UNIT IF RETURNED IMPROPERLY PACKED.

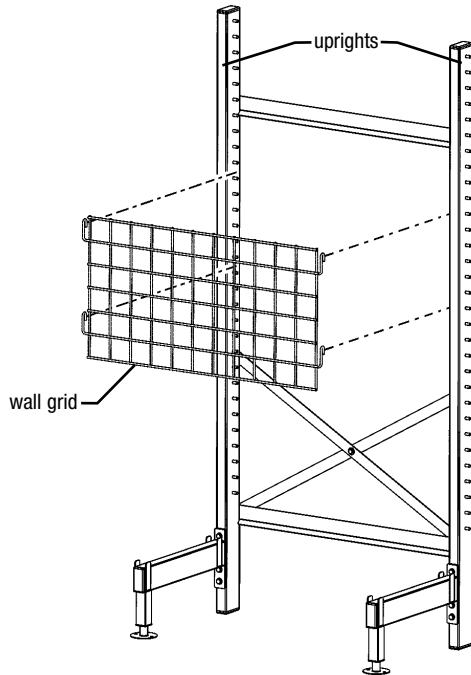


For Eagle Group's Q-LEVER® Shelving Units only



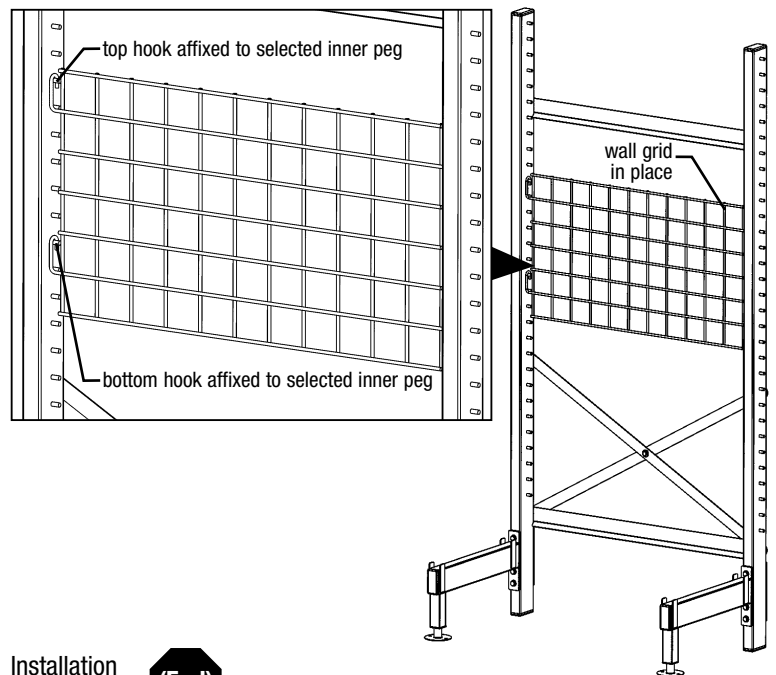
Step 1 - Select desired height.

NOTE: On each upright, height of selected inner pegs must be the same.



Step 2 - Hook grid onto inner pegs of uprights.

Affix top and bottom hooks of wall grid onto selected inner pegs of each upright.



Installation
is complete.

