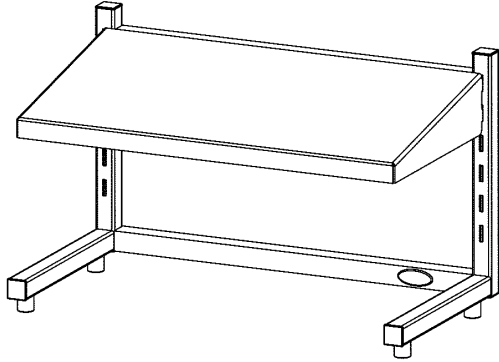


Foot Rest

ASSEMBLY INSTRUCTIONS

CAUTION

INSPECT CONTENTS IMMEDIATELY AND FILE CLAIM WITH DELIVERING CARRIER FOR ANY DAMAGE.
SAVE YOUR BOX AND ALL PACKING MATERIALS.
YOU ARE RESPONSIBLE FOR DAMAGE TO YOUR UNIT IF RETURNED IMPROPERLY PACKED.



Model #FR-1221-SS



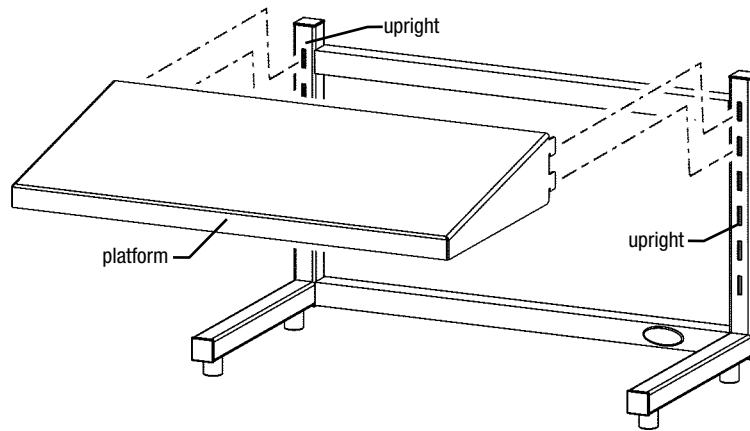
IMPORTANT



Foot rest only. DO NOT USE AS A STEP!

Step 1 - Affix platform onto slotted uprights.

Insert tabs of platform into slotted uprights at desired height, as shown.



Assembly
is complete.

