



Profit from the Eagle Advantage®

Specification Sheet

Short Form Specifications

Eagle Supply Storage System, model _____.
Chrome finish. Open wire shelf construction promotes laminar flow and visibility of shelf contents, plus reduces dust buildup. Shelf slant promotes ease of sliding rear bins forward, plus visibility of contents. Set of 63"-high posts, with 5"-diameter casters—two with brake.



shown with optional supply bins (sold separately)

Item No.:	_____
Project No.:	_____
S.I.S. No.:	_____

Kanban Supply Storage Systems

MODELS:

- ELKB-3036-C
- ELKB-3048-C
- KB-234-BL
- KB-240-BL
- KB-250-BL

Design and Construction Features

- Six 30" x 36" (762 x 914mm) or 30" x 48" (762 x 1219mm) wire shelves, featuring patented Quad-Truss® design (patent #5,390,803) .
- Each 30" (762mm)-deep shelf allows use of two rows of 14 3/4" (375mm)- deep bins (see photo at right).
- Shelves are at a 2" (51mm) slant for ease of sliding supply bins forward and for greater visibility of contents.
- Reverse mat shelves contain a lip on all sides to ensure bins stay in place.
- 63" (1600mm)-high posts are 1" (25mm) diameter, with grooves at 1" (25mm) increments for shelf position.
- 5" (127mm)-diameter swivel casters, two with brake.
- Shelves and posts feature chrome finish.
- Supply bins sold separately.
- Consult factory for additional configurations.

Options / Accessories

- Additional slides
- Cart covers
- Alternate configurations (contact factory)

EAGLE GROUP

100 Industrial Boulevard
Clayton, DE 19938-8903 USA

Phone: 302-653-3000 • 800-441-8440

Fax: 302-653-2065

www.eaglegrp.com • www.eaglemhc.com

For custom configuration or fabrication needs, contact our SpecFAB® Division.

Phone: 302-653-3000 • Fax: 302-653-2065 • e-mail: quotes@eaglegrp.com

EG05.22 Rev. 04/22

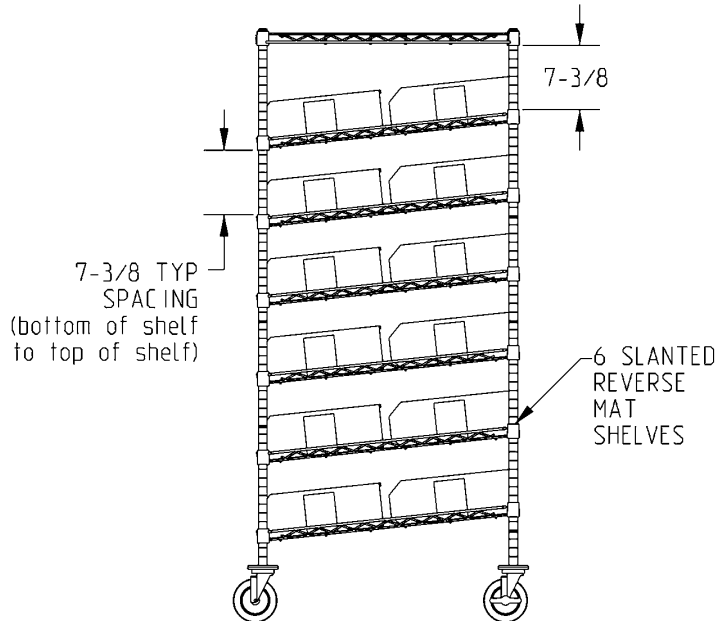
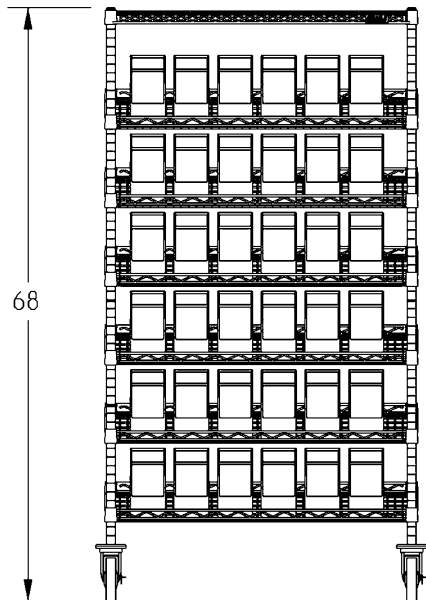
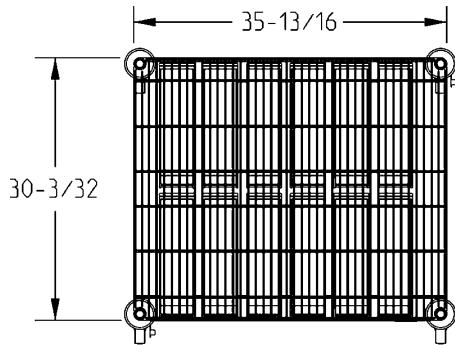
Spec sheets available for viewing, printing or downloading from our online literature library at www.eaglegrp.com

Eagle Foodservice Equipment, Eagle MHC, and SpecFAB® are divisions of Eagle Group. ©2022 by the Eagle Group



Item No.: _____
 Project No.: _____
 S.I.S. No.: _____

Kanban Supply Storage Systems



#ELKB-3036-C shown with optional supply bins (sold separately)

width		length		height		bin capacity per shelf			model #			
in.	mm	in.	mm	in.	mm	bin size:	bin size:	bin size:				
30"	762	36"	914	68"	1727	14-3/4" x 5-1/2" x 5"	12	14-3/4" x 8-1/4" x 7"	8	14-3/4" x 16-1/2" x 7"	4	ELKB-3036-C
30"	762	48"	1219	68"	1727		14		10		4	ELKB-3048-C

Optional Supply Bins

front-to-back		side-to-side		height		model #
in.	mm	in.	mm	in.	mm	
14-3/4"	375	5-1/2"	140	7"	178	KB-234-BL
14-3/4"	375	8-1/4"	210	7"	178	KB-240-BL
14-3/4"	375	16-1/2"	419	7"	178	KB-250-BL

EAGLE GROUP
 100 Industrial Boulevard, Clayton, DE 19938-8903 USA
 Phone: 302-653-3000 or 800-441-8440 • Fax: 302-653-2065
 www.eaglegrp.com • www.eaglemhc.com

Printed in U.S.A.
 ©2022 by Eagle Group

EG05.22 Rev. 04/22

Spec sheets available for viewing, printing or downloading from our online literature library at www.eaglegrp.com

Although every attempt has been made to ensure the accuracy of the information provided, we cannot be held responsible for typographical or printing errors. Information and specifications are subject to change without notice. Please confirm at time of order.