



Profit from the Eagle Advantage®

# Specification Sheet

## Short Form Specifications

Eagle Flat Top Hardwood Baker's Table, model \_\_\_\_\_, 1 3/4" thick hardwood top.

Eagle Hardwood Baker's Table with Backsplash and End Splashes, model \_\_\_\_\_, 1 3/4" thick hardwood top with 4" coved back and end splashes.

Units with galvanized steel base feature 1 3/4"-diameter heavy gauge galvanized legs and 1" adjustable hi-impact plastic bullet feet. Units with stainless steel base feature 1 3/4"-diameter 16 gauge stainless steel legs and stainless steel bullet feet.

Available with adjustable undershelf or adjustable 1 1/4"-diameter tubular base.



table with coved backsplash and end splashes, with tubular base



flat top table with undershelf

## Options / Accessories

- Drawer assemblies
- Lock
- Stainless steel bullet feet
- Casters
- Overshelf
- Spice bins

## EAGLE GROUP

100 Industrial Boulevard  
Clayton, DE 19938-8903 USA

Phone: 302-653-3000 • 800-441-8440

Fax: 302-653-2065

www.eaglegrp.com • www.eaglemhc.com

For custom configuration or fabrication needs, contact our SpecFAB® Division.

Phone: 302-653-3000 • Fax: 302-653-2065 • e-mail: quotes@eaglegrp.com

Item No.: \_\_\_\_\_  
Project No.: \_\_\_\_\_  
S.I.S. No.: \_\_\_\_\_

## Hardwood Tables

### MODELS:

- |                                      |                                      |                                      |
|--------------------------------------|--------------------------------------|--------------------------------------|
| <input type="checkbox"/> MT2448B     | <input type="checkbox"/> MT2496B     | <input type="checkbox"/> MT3072B     |
| <input type="checkbox"/> MT2448B-BS  | <input type="checkbox"/> MT2496GT    | <input type="checkbox"/> MT3072B-BS  |
| <input type="checkbox"/> MT2448GT    | <input type="checkbox"/> MT2496S     | <input type="checkbox"/> MT3072GT    |
| <input type="checkbox"/> MT2448GT-BS | <input type="checkbox"/> MT2496ST    | <input type="checkbox"/> MT3072GT-BS |
| <input type="checkbox"/> MT2448S     | <input type="checkbox"/> MT3048B     | <input type="checkbox"/> MT3072S     |
| <input type="checkbox"/> MT2448S-BS  | <input type="checkbox"/> MT3048GT    | <input type="checkbox"/> MT3072S-BS  |
| <input type="checkbox"/> MT2448ST    | <input type="checkbox"/> MT3048S     | <input type="checkbox"/> MT3072ST    |
| <input type="checkbox"/> MT2448ST-BS | <input type="checkbox"/> MT3048ST    | <input type="checkbox"/> MT3072ST-BS |
| <input type="checkbox"/> MT2460B     | <input type="checkbox"/> MT3060B     | <input type="checkbox"/> MT3096B     |
| <input type="checkbox"/> MT2460GT    | <input type="checkbox"/> MT3060B-BS  | <input type="checkbox"/> MT3096B-BS  |
| <input type="checkbox"/> MT2460S     | <input type="checkbox"/> MT3060GT    | <input type="checkbox"/> MT3096S     |
| <input type="checkbox"/> MT2460ST    | <input type="checkbox"/> MT3060GT-BS | <input type="checkbox"/> MT3096S-BS  |
| <input type="checkbox"/> MT2472B     | <input type="checkbox"/> MT3060S     | <input type="checkbox"/> MT3096GT    |
| <input type="checkbox"/> MT2472GT    | <input type="checkbox"/> MT3060S-BS  | <input type="checkbox"/> MT3096GT-BS |
| <input type="checkbox"/> MT2472S     | <input type="checkbox"/> MT3060ST    | <input type="checkbox"/> MT3096ST    |
| <input type="checkbox"/> MT2472ST    | <input type="checkbox"/> MT3060ST-BS | <input type="checkbox"/> MT3096ST-BS |

### Tabletop

- 1 3/4" (44mm)-thick hardwood tabletop.
- Available with a flat top or with 4" (102mm) coved splashes on back and ends.
- Stainless steel gussets.

### Bases

- Adjustable 1 1/4" (32mm)-diameter tubular base or adjustable undershelf available.
- Both bases available in galvanized or stainless steel.
- Galvanized base features heavy gauge galvanized legs and 1" (25mm) adjustable hi-impact plastic bullet feet.
- Stainless steel base features 16 gauge stainless steel legs and stainless steel bullet feet.
- Legs on all tables are 1 3/4" (41mm) diameter.

### Certifications / Approvals



AutoQuotes



EG10.10 Rev. 03/22

Spec sheets available for viewing, printing or downloading from our online literature library at [www.eaglegrp.com](http://www.eaglegrp.com)

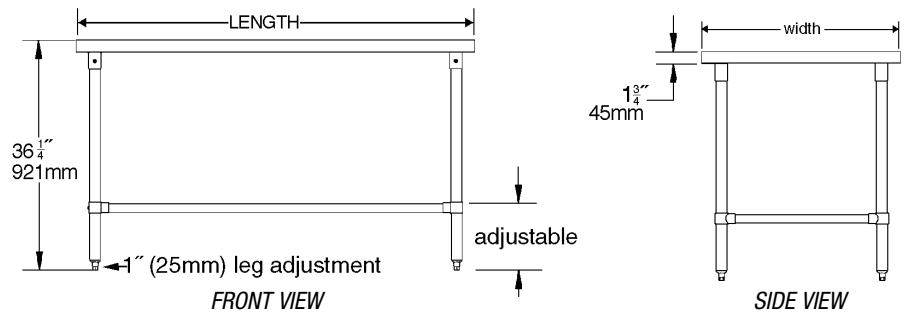
Eagle Foodservice Equipment, Eagle MHC, and SpecFAB® are divisions of Eagle Group. ©2022 by the Eagle Group



Profit from the Eagle Advantage®

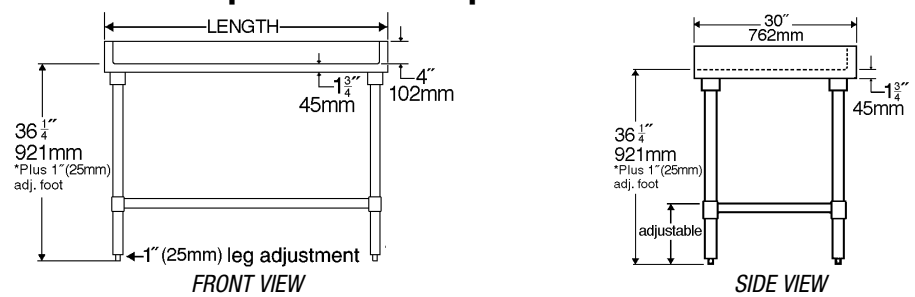
Item No.: \_\_\_\_\_  
 Project No.: \_\_\_\_\_  
 S.I.S. No.: \_\_\_\_\_

**Hardwood Tables with Flat Top...**



...WITH ADJUSTABLE UNDERSHELF				...WITH TUBULAR BASE							
GALVANIZED	STAINLESS	weight		GALVANIZED	STAINLESS	weight		width		length	
model #	model #	lbs.	kg	model #	model #	lbs.	kg	in.	mm	in.	mm
MT2448B	MT2448S	94	42.6	MT2448GT	MT2448ST	92	41.7	24"	610	48"	1219
MT2460B	MT2460S	118	53.5	MT2460GT	MT2460ST	117	53.1	24"	610	60"	1524
MT2472B	MT2472S	141	64.0	MT2472GT	MT2472ST	138	62.6	24"	610	72"	1829
MT2496B	MT2496S	189	85.7	MT2496GT	MT2496ST	182	82.6	24"	610	96"	2438
MT3048B	MT3048S	141	64.0	MT3048GT	MT3048ST	139	63.1	30"	914	48"	1219
MT3060B	MT3060S	147	66.7	MT3060GT	MT3060ST	145	65.8	30"	914	60"	1524
MT3072B	MT3072S	177	80.3	MT3072GT	MT3072ST	174	77.8	30"	914	72"	1829
MT3096B	MT3096S	235	106.6	MT3096GT	MT3096ST	230	104.3	30"	914	96"	2438

**Hardwood Tables with Backsplash and End Splashes...**



...WITH ADJUSTABLE UNDERSHELF				...WITH TUBULAR BASE							
GALVANIZED	STAINLESS	weight		GALVANIZED	STAINLESS	weight		width		length	
model #	model #	lbs.	kg	model #	model #	lbs.	kg	in.	mm	in.	mm
MT3048B-BS	MT3048S-BS	110	49.9	MT3048GT-BS	MT3048ST-BS	119	54.0	30"	914	48"	1219
MT3060B-BS	MT3060S-BS	149	67.6	MT3060GT-BS	MT3060ST-BS	147	66.7	30"	914	60"	1524
MT3072B-BS	MT3072S-BS	180	81.6	MT3072GT-BS	MT3072ST-BS	177	80.3	30"	914	72"	1829
MT3096B-BS	MT3096S-BS	240	108.9	MT3096GT-BS	MT3096ST-BS	235	106.6	30"	914	96"	2438

**Optional Casters For Hardwood Worktables**

ZINC WITH RESILIENT TREAD		NICKEL WITH POLY TREAD		POLYMER CART WASHABLE		
model #	wt. cap.* lbs. kg	model #	wt. cap.* lbs. kg	model #	wt. cap.* lbs. kg	
CA4-SB	115 52.2	-	-	-	-	4" (102mm)-dia., set of 4 (2 swivel, 2 w/brake)
CA6-SB	115 52.2	-	-	-	-	4" (102mm)-dia., set of 6 (3 swivel, 3 w/brake)
CAH4-SB	200 90.7	CAHP4-SB	250 113.4	CAHW4-SB	250 113.4	5" (127mm)-dia., set of 4 (2 swivel, 2 w/brake)
CAH6-SB	200 90.7	CAHP6-SB	250 113.4	CAHW6-SB	250 113.4	5" (127mm)-dia., set of 6 (3 swivel, 3 w/brake)

\* Weight capacity per caster

**EAGLE GROUP**  
 100 Industrial Boulevard, Clayton, DE 19938-8903 USA  
 Phone: 302-653-3000 or 800-441-8440 • Fax: 302-653-2065  
 www.eaglegrp.com • www.eaglehmc.com

Printed in U.S.A.  
 ©2022 by Eagle Group  
 Rev. 03/22

Spec sheets available for viewing, printing or downloading from our online literature library at [www.eaglegrp.com](http://www.eaglegrp.com)

Although every attempt has been made to ensure the accuracy of the information provided, we cannot be held responsible for typographical or printing errors. Information and specifications are subject to change without notice. Please confirm at time of order.