

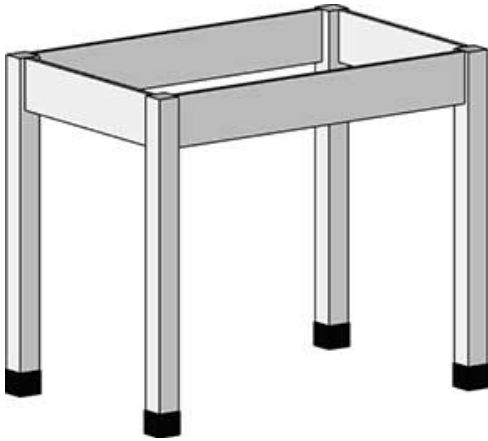


Profit from the Eagle Advantage®

# Specification Sheet

## Short Form Specifications

All stainless steel type 304 bench frame. 22" or 28" deep. 35" Standing Height and 29-1/8" Sitting Height. Widths available from 22" to 70". 2" square legs with leveling bolt and leg shoes. Heavy gauge corner angles are welded to the legs and tapped for bolting on 5"-high apron. Designed and tested to the SEFA 8 Metal Casework recommended practices.



|              |       |
|--------------|-------|
| Item No.:    | _____ |
| Project No.: | _____ |
| S.I.S. No.:  | _____ |

## Standard Bench Frames

### MODELS:

- |                                      |                                      |                                      |
|--------------------------------------|--------------------------------------|--------------------------------------|
| <input type="checkbox"/> SSC-HT-2424 | <input type="checkbox"/> SSC-HT-3042 | <input type="checkbox"/> SSC-ST-2466 |
| <input type="checkbox"/> SSC-HT-2430 | <input type="checkbox"/> SSC-HT-3048 | <input type="checkbox"/> SSC-ST-2472 |
| <input type="checkbox"/> SSC-HT-2436 | <input type="checkbox"/> SSC-HT-3060 | <input type="checkbox"/> SSC-ST-3024 |
| <input type="checkbox"/> SSC-HT-2442 | <input type="checkbox"/> SSC-HT-3066 | <input type="checkbox"/> SSC-ST-3030 |
| <input type="checkbox"/> SSC-HT-2448 | <input type="checkbox"/> SSC-HT-3072 | <input type="checkbox"/> SSC-ST-3036 |
| <input type="checkbox"/> SSC-HT-2460 | <input type="checkbox"/> SSC-ST-2424 | <input type="checkbox"/> SSC-ST-3042 |
| <input type="checkbox"/> SSC-HT-2466 | <input type="checkbox"/> SSC-ST-2430 | <input type="checkbox"/> SSC-ST-3048 |
| <input type="checkbox"/> SSC-HT-2472 | <input type="checkbox"/> SSC-ST-2436 | <input type="checkbox"/> SSC-ST-3060 |
| <input type="checkbox"/> SSC-HT-3024 | <input type="checkbox"/> SSC-ST-2442 | <input type="checkbox"/> SSC-ST-3066 |
| <input type="checkbox"/> SSC-HT-3030 | <input type="checkbox"/> SSC-ST-2448 | <input type="checkbox"/> SSC-ST-3072 |
| <input type="checkbox"/> SSC-HT-3036 | <input type="checkbox"/> SSC-ST-2460 |                                      |

### Design and Construction Features

- Type 304 stainless steel construction.
- Available in 35" (889mm) Standing Height and 29 1/8" (740mm) Sitting Height.
- 22" or 28" (559 or 711mm) depth.
- Frame assembly features 5" (127mm)-high apron in all four sides.
- Full-height 2" (51mm)-square tubular legs, with leveling mount inserts and leg shoes.
- Legs feature #4 stainless steel brushed finish.
- Shipped knocked down.

### Options / Accessories

- Custom sizes

### EAGLE GROUP

100 Industrial Boulevard  
Clayton, DE 19938-8903 USA

Phone: 302-653-3000 • 800-441-8440

Fax: 302-653-2065

[www.eaglegrp.com](http://www.eaglegrp.com) • [www.eaglemhc.com](http://www.eaglemhc.com)

For custom configuration or fabrication needs, contact our **SpecFAB®** Division.

Phone: 302-653-3000 • Fax: 302-653-2065 • e-mail: [quotes@eaglegrp.com](mailto:quotes@eaglegrp.com)

### Certifications / Approvals



SEFA 8 Metal Casework

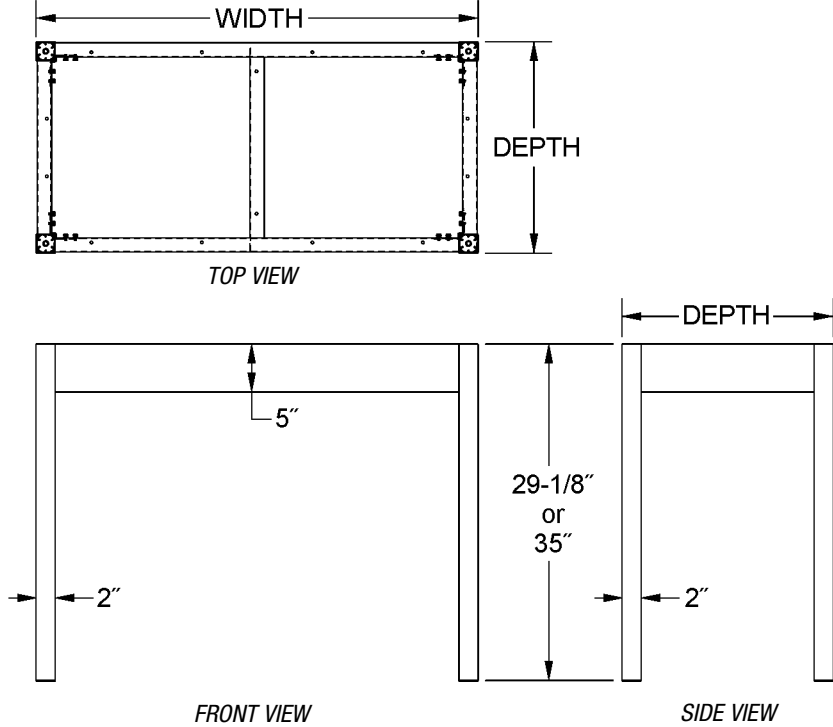
EG03.50 Rev. 05/22

Spec sheets available for viewing, printing or downloading from our online literature library at [www.eaglegrp.com](http://www.eaglegrp.com)

Eagle Foodservice Equipment, Eagle MHC, and SpecFAB® are divisions of Eagle Group. ©2022 by the Eagle Group

Item No.: \_\_\_\_\_  
 Project No.: \_\_\_\_\_  
 S.I.S. No.: \_\_\_\_\_

# Standard Bench Frames



| depth* |     | width* |      | 35" Standing Height |      |             | 29 1/8" Sitting Height |      |             |
|--------|-----|--------|------|---------------------|------|-------------|------------------------|------|-------------|
| in     | mm  | in     | mm   | lbs.                | kg   | model #     | lbs.                   | kg   | model #     |
| 22"    | 559 | 22"    | 559  | 50                  | 22.7 | SSC-HT-2424 | 48                     | 21.8 | SSC-ST-2424 |
| 22"    | 559 | 28"    | 711  | 55                  | 24.9 | SSC-HT-2430 | 53                     | 24.0 | SSC-ST-2430 |
| 22"    | 559 | 34"    | 864  | 60                  | 27.2 | SSC-HT-2436 | 58                     | 26.3 | SSC-ST-2436 |
| 22"    | 559 | 40"    | 1016 | 65                  | 29.5 | SSC-HT-2442 | 63                     | 28.6 | SSC-ST-2442 |
| 22"    | 559 | 46"    | 1168 | 70                  | 31.7 | SSC-HT-2448 | 68                     | 30.8 | SSC-ST-2448 |
| 22"    | 559 | 58"    | 1473 | 78                  | 35.4 | SSC-HT-2460 | 76                     | 34.5 | SSC-ST-2460 |
| 22"    | 559 | 64"    | 1626 | 84                  | 38.1 | SSC-HT-2466 | 82                     | 37.2 | SSC-ST-2466 |
| 22"    | 559 | 70"    | 1778 | 90                  | 40.8 | SSC-HT-2472 | 88                     | 39.9 | SSC-ST-2472 |
| 28"    | 711 | 22"    | 559  | 55                  | 24.9 | SSC-HT-3024 | 53                     | 24.0 | SSC-ST-3024 |
| 28"    | 711 | 28"    | 711  | 58                  | 26.3 | SSC-HT-3030 | 56                     | 25.4 | SSC-ST-3030 |
| 28"    | 711 | 34"    | 864  | 65                  | 29.5 | SSC-HT-3036 | 63                     | 28.6 | SSC-ST-3036 |
| 28"    | 711 | 40"    | 1016 | 70                  | 31.7 | SSC-HT-3042 | 68                     | 30.8 | SSC-ST-3042 |
| 28"    | 711 | 46"    | 1168 | 75                  | 34.0 | SSC-HT-3048 | 73                     | 33.1 | SSC-ST-3048 |
| 28"    | 711 | 58"    | 1473 | 84                  | 38.1 | SSC-HT-3060 | 82                     | 37.2 | SSC-ST-3060 |
| 28"    | 711 | 64"    | 1626 | 91                  | 41.3 | SSC-HT-3066 | 89                     | 40.4 | SSC-ST-3066 |
| 28"    | 711 | 70"    | 1778 | 98                  | 44.4 | SSC-HT-3072 | 96                     | 43.5 | SSC-ST-3072 |

\* Allows 1" (25mm) overhang from each side of table frame to be fitted for top.

**EAGLE GROUP**  
 100 Industrial Boulevard, Clayton, DE 19938-8903 USA  
 Phone: 302-653-3000 or 800-441-8440 • Fax: 302-653-2065  
 www.eaglegrp.com • www.eaglegrp.com

Printed in U.S.A.  
 ©2022 by Eagle Group  
 Rev. 05/22

Spec sheets available for viewing, printing or downloading from our online literature library at [www.eaglegrp.com](http://www.eaglegrp.com)

Although every attempt has been made to ensure the accuracy of the information provided, we cannot be held responsible for typographical or printing errors. Information and specifications are subject to change without notice. Please confirm at time of order.