



Profit from the Eagle Advantage®

Specification Sheet

Short Form Specifications

Eagle Laboratory Wall Shelves, model _____.
Three shelf modular system with stainless steel 16 gauge 1" tubular uprights with laser cut notches for shelf attachment and mounting. 16 gauge type 304 stainless shelves with 1 1/4" rear upturn, 4 1/2" upturned bookends, and center hat channel. Shelves attached with triple hooks per end adjustable on 1 1/2" centerlines. Uprights are 36 1/2" tall. Shelves are available in 12", 15", and 18" depths and 24", 30", 36", 48", 60", and 72" lengths. Optional wire ledge is available. Designed to meet the SEFA recommended practices.



#LS1236-36-3L
shelves with front wire ledge

Item No.: _____
Project No.: _____
S.I.S. No.: _____

Laboratory Wall Shelves with Upturned Bookends

MODELS:

- | | |
|--------------------------------------|---------------------------------------|
| <input type="checkbox"/> LS1230-36-3 | <input type="checkbox"/> LS1230-36-3L |
| <input type="checkbox"/> LS1236-36-3 | <input type="checkbox"/> LS1236-36-3L |
| <input type="checkbox"/> LS1248-36-3 | <input type="checkbox"/> LS1248-36-3L |
| <input type="checkbox"/> LS1260-36-3 | <input type="checkbox"/> LS1260-36-3L |
| <input type="checkbox"/> LS1272-36-3 | <input type="checkbox"/> LS1272-36-3L |
| <input type="checkbox"/> LS1530-36-3 | <input type="checkbox"/> LS1530-36-3L |
| <input type="checkbox"/> LS1536-36-3 | <input type="checkbox"/> LS1536-36-3L |
| <input type="checkbox"/> LS1548-36-3 | <input type="checkbox"/> LS1548-36-3L |
| <input type="checkbox"/> LS1560-36-3 | <input type="checkbox"/> LS1560-36-3L |
| <input type="checkbox"/> LS1572-36-3 | <input type="checkbox"/> LS1572-36-3L |
| <input type="checkbox"/> LS1830-36-3 | <input type="checkbox"/> LS1830-36-3L |
| <input type="checkbox"/> LS1836-36-3 | <input type="checkbox"/> LS1836-36-3L |
| <input type="checkbox"/> LS1848-36-3 | <input type="checkbox"/> LS1848-36-3L |
| <input type="checkbox"/> LS1860-36-3 | <input type="checkbox"/> LS1860-36-3L |
| <input type="checkbox"/> LS1872-36-3 | <input type="checkbox"/> LS1872-36-3L |

Design & Construction Features:

- 36 1/2" (927mm) tall, 1" (25mm) square, 16 gauge stainless steel tubular uprights with laser-cut notches for shelves
- 16 gauge type 304 stainless steel shelves with 1 1/4" rear upturn, 4 1/2" (114mm) bookends, and center hat channel
- Three shelves, adjustable on 1 1/2" (32mm) centerlines, attach with triple hooks per end
- Available in 12", 15", and 18" (305, 381, and 457mm) depths
- Available in lengths ranging from 24" to 72" (610 to 1828mm)
- Offered with or without front wire ledge.

Options / Accessories

- 1/4" diameter wire ledge
- Additional shelves
- Custom sizing per application

Certifications / Approvals



SEFA 8 Metal Casework

EAGLE GROUP

100 Industrial Boulevard
Clayton, DE 19938-8903 USA

Phone: 302-653-3000 • 800-441-8440

Fax: 302-653-2065

www.eaglegrp.com • www.eaglemhc.com

For custom configuration or fabrication needs, contact our SpecFAB® Division.

Phone: 302-653-3000 • Fax: 302-653-2065 • e-mail: quotes@eaglegrp.com

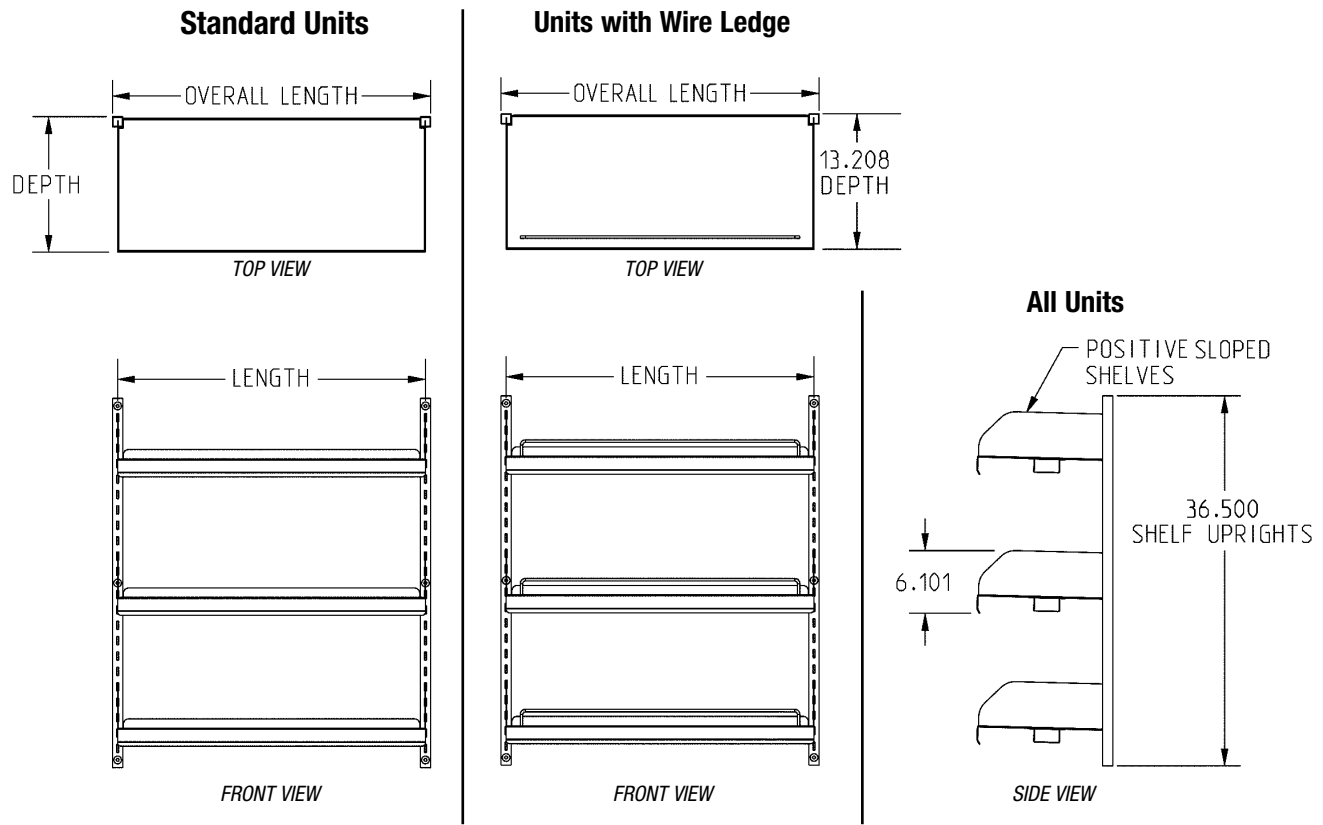
EG03.80 Rev. 11/21

Spec sheets available for viewing, printing or downloading from our online literature library at www.eaglegrp.com

Eagle Foodservice Equipment, Eagle MHC, and SpecFAB® are divisions of Eagle Group. ©2021 by the Eagle Group

Item No.: _____
Project No.: _____
S.I.S. No.: _____

Laboratory Wall Shelves with Upturned Bookends



				Units with Upturned Ends					
				Standard Shelves			with Front Wire Ledge		
shelf depth		shelf length		O.A. length		weight		model #	model #
in.	mm	in.	mm	in.	mm	lbs.	kg		
12"	305	30"	762	31"	787	38	17.2	LS1230-36-3	LS1230-36-3L
12"	305	36"	914	37"	939	43	19.5	LS1236-36-3	LS1236-36-3L
12"	305	48"	1219	49"	1244	52	23.6	LS1248-36-3	LS1248-36-3L
12"	305	60"	1524	61"	1549	62	28.1	LS1260-36-3	LS1260-36-3L
12"	305	72"	1828	73"	1854	71	32.2	LS1272-36-3	LS1272-36-3L
15"	381	30"	762	31"	787	44	20.0	LS1530-36-3	LS1530-36-3L
15"	381	36"	914	37"	939	50	22.7	LS1536-36-3	LS1536-36-3L
15"	381	48"	1219	49"	1244	61	27.7	LS1548-36-3	LS1548-36-3L
15"	381	60"	1524	61"	1549	72	32.7	LS1560-36-3	LS1560-36-3L
15"	381	72"	1828	73"	1854	83	37.6	LS1572-36-3	LS1572-36-3L
18"	457	30"	762	31"	787	51	23.1	LS1830-36-3	LS1830-36-3L
18"	457	36"	914	37"	939	57	25.9	LS1836-36-3	LS1836-36-3L
18"	457	48"	1219	49"	1244	70	31.8	LS1848-36-3	LS1848-36-3L
18"	457	60"	1524	61"	1549	83	37.6	LS1860-36-3	LS1860-36-3L
18"	457	72"	1828	73"	1854	97	44.0	LS1872-36-3	LS1872-36-3L

EAGLE GROUP
100 Industrial Boulevard, Clayton, DE 19938-8903 USA
Phone: 302-653-3000 or 800-441-8440 • Fax: 302-653-2065
www.eaglegrp.com • www.eaglehmc.com

Printed in U.S.A.
©2021 by Eagle Group
Rev. 11/21

Spec sheets available for viewing, printing or downloading from our online literature library at www.eaglegrp.com

Although every attempt has been made to ensure the accuracy of the information provided, we cannot be held responsible for typographical or printing errors. Information and specifications are subject to change without notice. Please confirm at time of order.