



Profit from the Eagle Advantage®

Specification Sheet

Short Form Specifications

Eagle Handwashing System, model _____. Constructed of type 304 stainless steel with deep-drawn positive drain sink bowl, basket drain, inverted "V" edge to prevent spillage, removable stainless steel trash container, and MICROGARD® antimicrobial protection. Chicago electronic-eye faucet with self-sustaining power system, hard roll paper towel dispenser, hands-free hand sanitizer dispenser, hands-free soap dispenser, glove rack and white bristle nail brush. Other systems available feature hand sink with skirt only (no waste receptacle) or hand sink with end splashes.



#HFL-5000 with towel dispenser, soap dispenser, hand sanitizing dispenser and glove rack

Item No.: _____
Project No.: _____
S.I.S. No.: _____

HFL-5000 Series Touch-Free Handwashing Systems

MODELS:

- HFL-5000
- HFL-5000-S
- HFL-5000-LRS

HFL-5000 Components:

- **Eagle** hand sink with MICROGARD® antimicrobial protection. Includes basket drain with 1½" connection.
- **Kimberly-Clark** hard roll towel dispenser, with quiet touchless technology. Runs on four (4) D-size batteries or AC power supply. Eagle part #384796. Use Kleenex #25639, Scott #25703 or Scott #43960 towel roll.
- **Chicago*** HyTronic splash-mount gooseneck faucet, with dual-beam infrared sensor. Self Sustaining Power System creates the power needed, even with low flow outlets. Eagle part #384969.
- **Purell/LTX**** hand sanitizing dispenser. Four "D" batteries** included. Eagle part #377455.
- **Gojo/LTX**** hand soap dispenser. Four "D" batteries** included. Eagle part #377456.
- **FoodHandler** glove rack for single service gloves. Model #11-0012. Eagle part #352855.
- **Tucel** soft bristle white nail brush. Model #1832. Eagle part #348602.

* Faucet comes with dual supply for hot & cold water. Self-sustaining water turbine generates the necessary power to operate the faucet for 10+ years, even with low flow outlets. Includes stainless steel hoses included and user-adjustable temperature control mixer.

** Because these dispensers require so little power, battery changes are eliminated in most applications.

EAGLE GROUP
100 Industrial Boulevard, Clayton, DE 19938-8903 USA
Phone: 302-653-3000 • Fax: 302-653-2065
www.eaglegrp.com

Foodservice Division: Phone 800-441-8440
MHC/Retail Display Divisions: Phone 800-637-5100

For custom configuration or fabrication needs, contact our **SpecFAB®** Division.
Phone: 302-653-3000 • Fax: 302-653-2065 • e-mail: quotes@eaglegrp.com



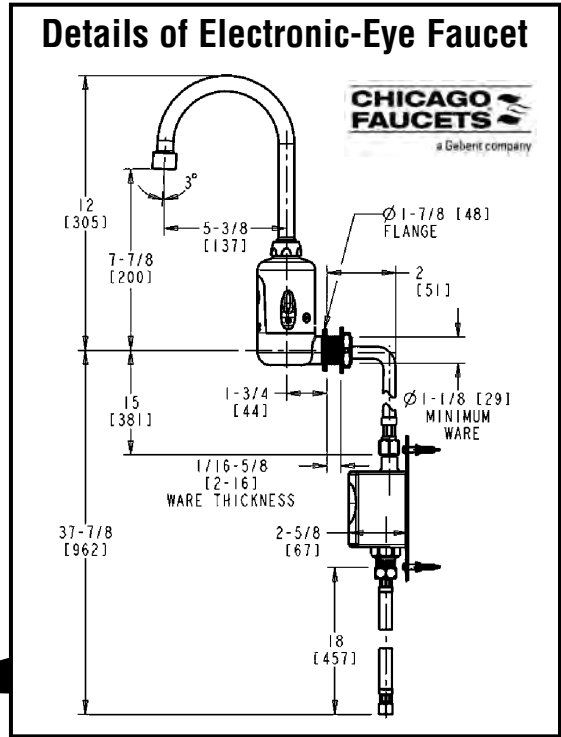
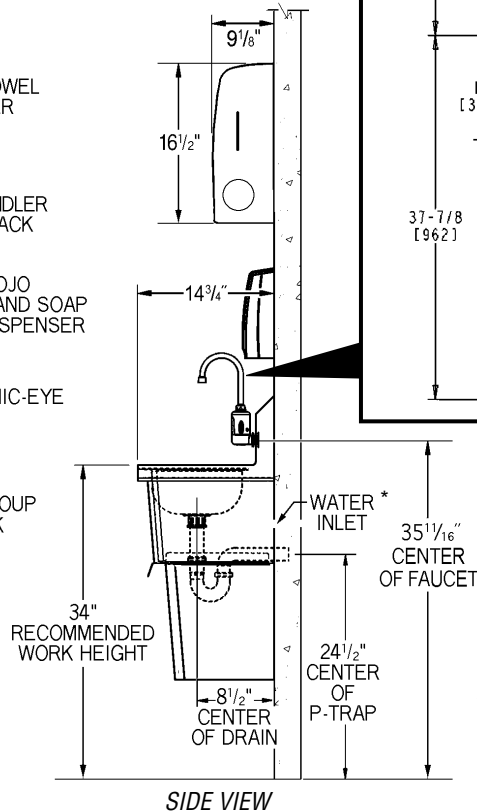
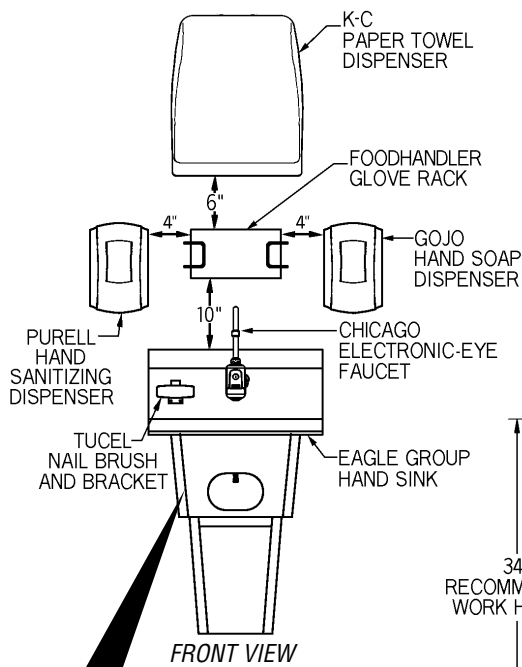
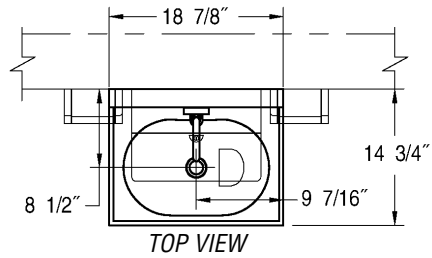
EG20.55 Rev. 08/18

Spec sheets available for viewing, printing or downloading from our online literature library at www.eaglegrp.com



Item No.: _____
 Project No.: _____
 S.I.S. No.: _____

HFL-5000 Series Touch-Free Handwashing Systems



model #	description of hand sink included
HFL-5000	hand sink with waste receptacle
HFL-5000-S	hand sink with skirt (no waste receptacle)
HFL-5000-LRS	hand sink with waste receptacle and end splashes

NOTE: All hand sinks in HFL-5000 Series feature MICROGARD® antimicrobial protection.

* LOCATION OF WATER INLET ROUGH-IN RECOMMENDED TO BE WITHIN AREA OF SINK BODY, ABOVE P-TRAP.

EAGLE GROUP
 100 Industrial Boulevard, Clayton, DE 19938-8903 USA
 Phone: 302-653-3000 • Fax: 302-653-2065
 www.eaglegrp.com

Foodservice Division: Phone 800-441-8440
 MHC/Retail Display Divisions: Phone 800-637-5100

Printed in U.S.A.
 ©2018 by Eagle Group
 Rev. 08/18

Spec sheets available for viewing, printing or downloading from our online literature library at www.eaglegrp.com

Although every attempt has been made to ensure the accuracy of the information provided, we cannot be held responsible for typographical or printing errors. Information and specifications are subject to change without notice. Please confirm at time of order.