

ASSEMBLY INSTRUCTIONS

CAUTION

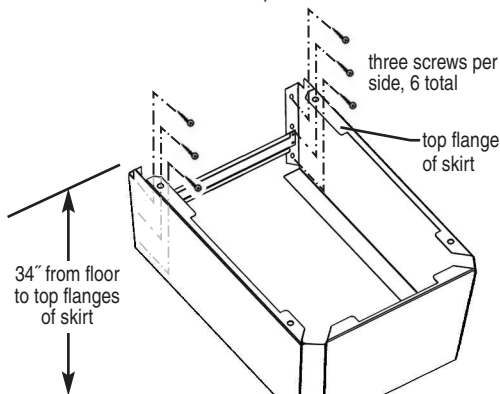
INSPECT CONTENTS IMMEDIATELY AND FILE CLAIM WITH DELIVERING CARRIER FOR ANY DAMAGE.
SAVE YOUR BOX AND ALL PACKING MATERIALS.
YOU ARE RESPONSIBLE FOR DAMAGE TO YOUR UNIT IF RETURNED IMPROPERLY PACKED.

Please note before assembly:

Remove the locking nuts from underside of hand sink and set aside.

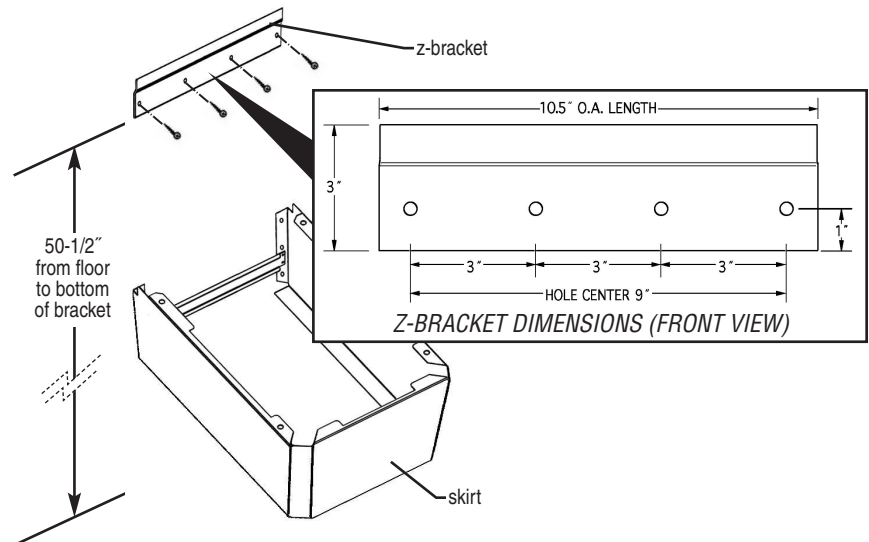
Step 2 - Mount skirt to wall.

- Measure and mark 34" from floor to top flanges of skirt, using a level for straightness.
- Fasten skirt to wall (mounting hardware not included.)

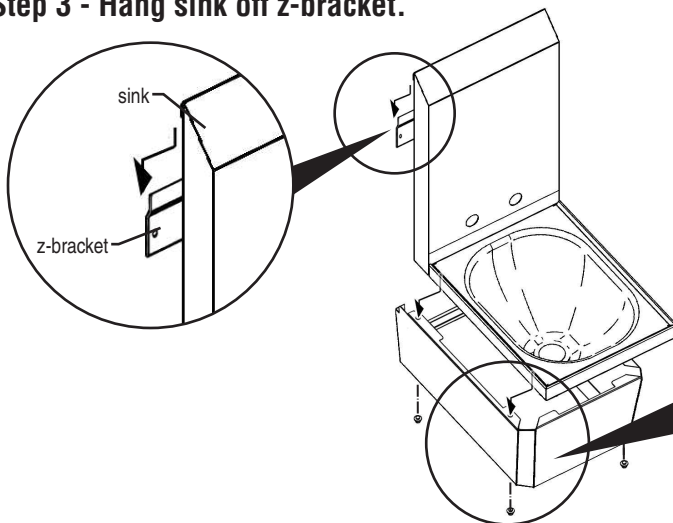


Step 2 - Mount z-bracket onto wall, centered above skirt.

- Measure and mark 50-1/2" from floor to bottom of bracket.
- Fasten z-bracket to wall (mounting hardware not included.)

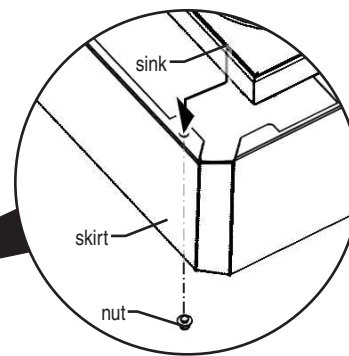


Step 3 - Hang sink off z-bracket.



Step 4 - Mount sink to skirt.

- Align holes in top flanges of skirt with threaded studs underneath sink, and assemble.
- Fasten with nuts provided.



(End)

EG9949 Revised 04/12