

Narrow Hand Sink with Skirt

ASSEMBLY INSTRUCTIONS

For Hand Sink with Tubular Base, see next page.

CAUTION

INSPECT CONTENTS IMMEDIATELY AND FILE CLAIM WITH DELIVERING CARRIER FOR ANY DAMAGE.

SAVE YOUR BOX AND ALL PACKING MATERIALS.

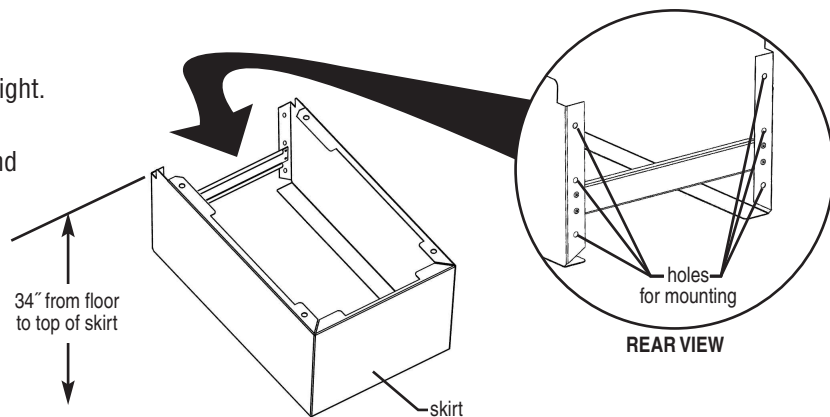
YOU ARE RESPONSIBLE FOR DAMAGE TO YOUR UNIT IF RETURNED IMPROPERLY PACKED.

Please note before assembly:

Remove the locking nuts from underside of hand sink and set aside.

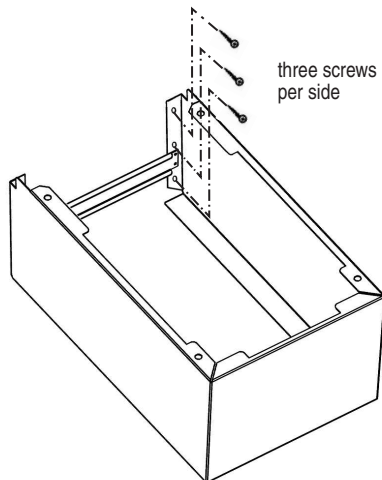
Step 1 - Mark holes for skirt.

- Mark 34" from floor, indicating working height. Use a level for straightness.
- Temporarily hold skirt to wall as shown, and mark location of holes.

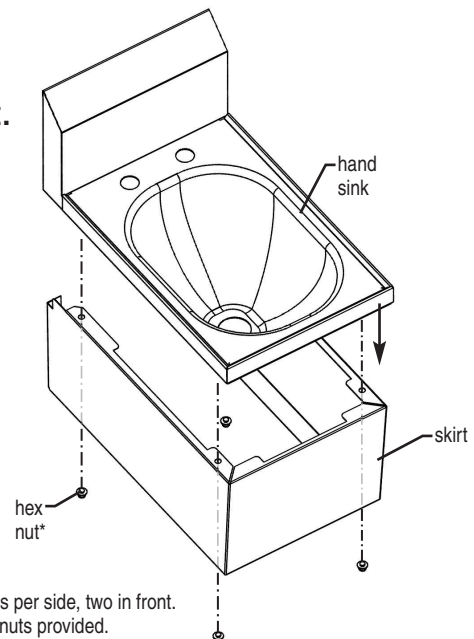


Step 2 - Mount skirt to wall.

(Note: Mounting hardware not included.)



Step 3 - Mount hand sink to skirt.



(End)

EG9947 Revised 04/12

Narrow Hand Sink with Tubular Supports

ASSEMBLY INSTRUCTIONS

For Narrow Hand Sink with Skirt, see previous page.

CAUTION

INSPECT CONTENTS IMMEDIATELY AND FILE CLAIM WITH DELIVERING CARRIER FOR ANY DAMAGE.

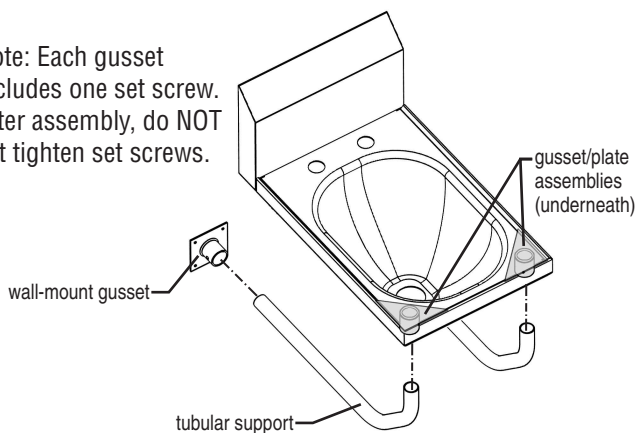
SAVE YOUR BOX AND ALL PACKING MATERIALS.

YOU ARE RESPONSIBLE FOR DAMAGE TO YOUR UNIT IF RETURNED IMPROPERLY PACKED.

Step 1 - Assemble tubular supports to sink.

- Insert tubular supports into wall mounted gussets.
- Insert other end of tubular supports into gusset/plate assemblies located underneath sink deck.

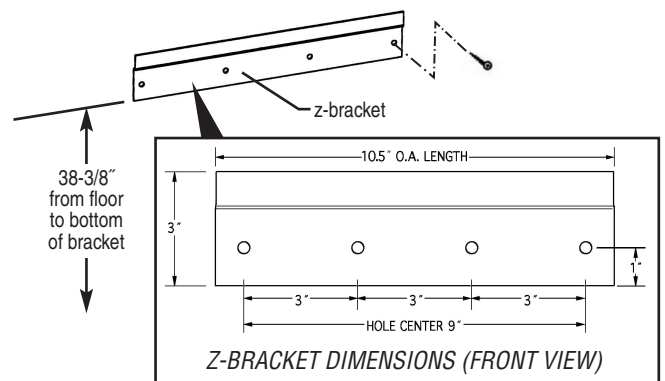
Note: Each gusset includes one set screw. After assembly, do NOT yet tighten set screws.



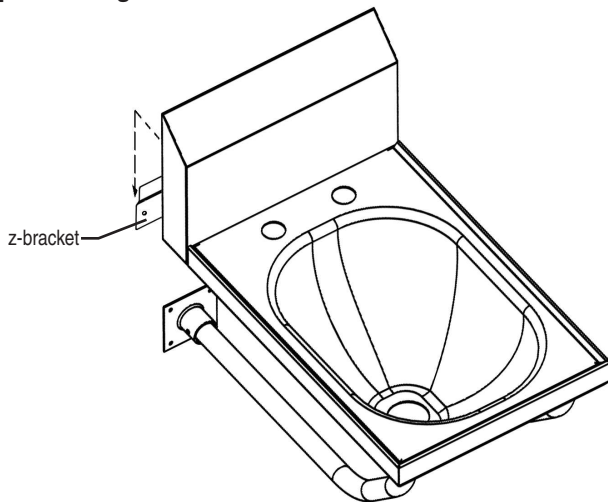
Step 2 - Mount z-bracket to wall.

Use a level for straightness.

(Note: Mounting hardware not included.)

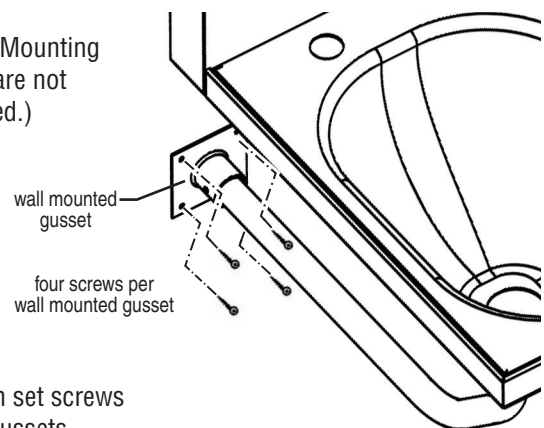


Step 3 - Hang sink off z-bracket.



Step 4 - Secure wall-mounted gussets to wall.

(Note: Mounting hardware not included.)



Tighten set screws of all gussets.

(End)