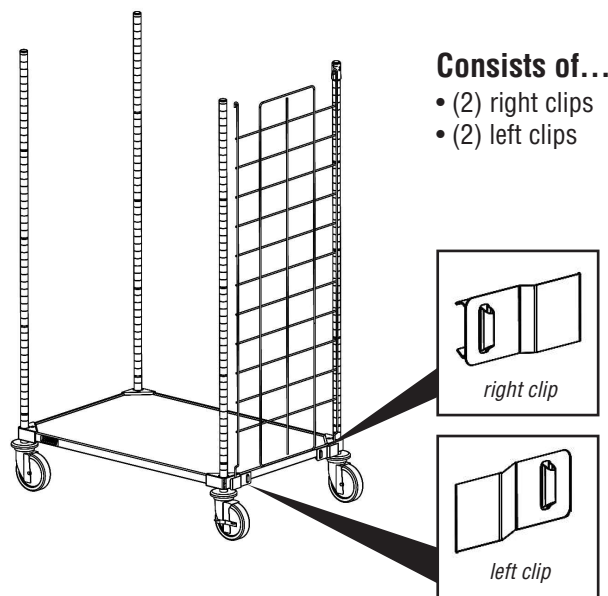


Solid Shelving Clips

INSTALLATION INSTRUCTIONS

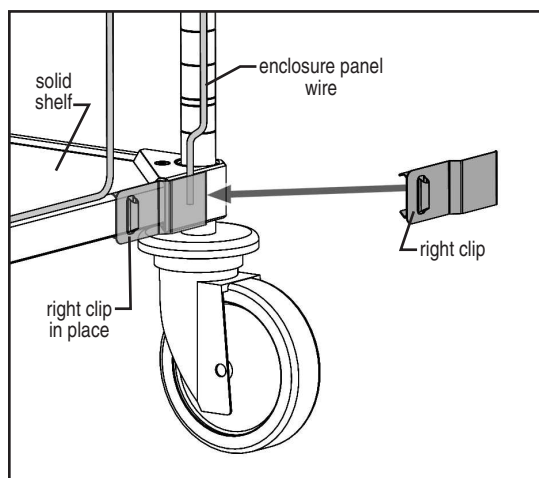
CAUTION

INSPECT CONTENTS IMMEDIATELY AND FILE CLAIM WITH DELIVERING CARRIER FOR ANY DAMAGE.
SAVE YOUR BOX AND ALL PACKING MATERIALS.
YOU ARE RESPONSIBLE FOR DAMAGE TO YOUR UNIT IF RETURNED IMPROPERLY PACKED.



Locks enclosure panel into place onto bottom solid shelf.

IMPORTANT: Please note the orientation of the clips in the above illustration.



- 1) Snap on to shelf as shown.
- 2) When the clip is installed, the enclosure panel wire will be snug in between the solid shelf and the clip.
- 3) Repeat on all remaining clips.

(End)