

QuadPLUS® Polymer Shelf Mats

INSTALLATION INSTRUCTIONS

CAUTION

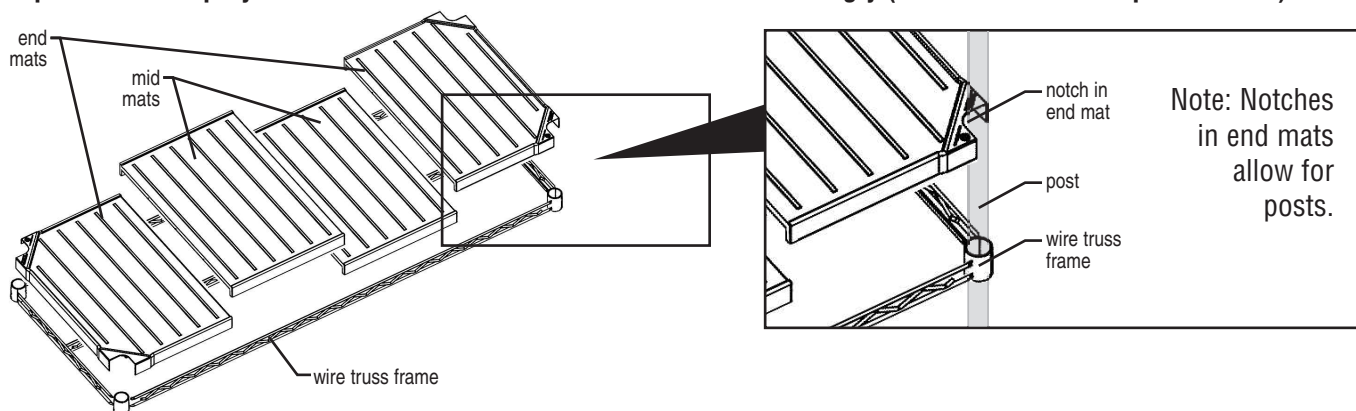
INSPECT CONTENTS IMMEDIATELY AND FILE CLAIM WITH DELIVERING CARRIER FOR ANY DAMAGE.
SAVE YOUR BOX AND ALL PACKING MATERIALS.
YOU ARE RESPONSIBLE FOR DAMAGE TO YOUR UNIT IF RETURNED IMPROPERLY PACKED.

This instruction is used with #A200815 "Wire Shelving" instructions.

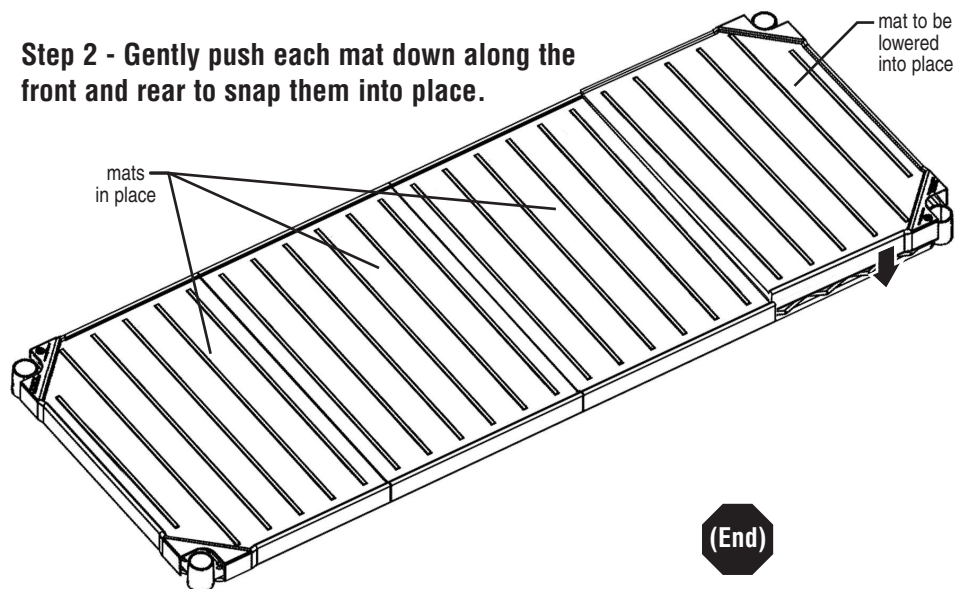
BEFORE ASSEMBLY, PLEASE READ:

- For clarity, this instruction shows QuadPLUS® polymer mats being assembled to a wire truss frame.
- QuadPLUS® can be affixed to standard wire shelves as well.
- It is recommended to assemble truss frames and/or shelves onto posts—and to secure frame and/or shelf by tapping with a mallet—BEFORE installing polymer mats. **IMPORTANT: DO NOT HIT TRUSS FRAMES AND/OR SHELVES AFTER POLYMER MATS HAVE BEEN INSTALLED!** Remove polymer mats before readjusting truss frame.

Step 1 - Position polymer mats onto wire truss frame or shelf accordingly ('wire truss frame' option shown).



Step 2 - Gently push each mat down along the front and rear to snap them into place.



IMPORTANT!



DO NOT USE TOOLS TO INSTALL POLYMER MATS!

(End)

EG9889 Revised 10/15