

# Solid Shelf Divider

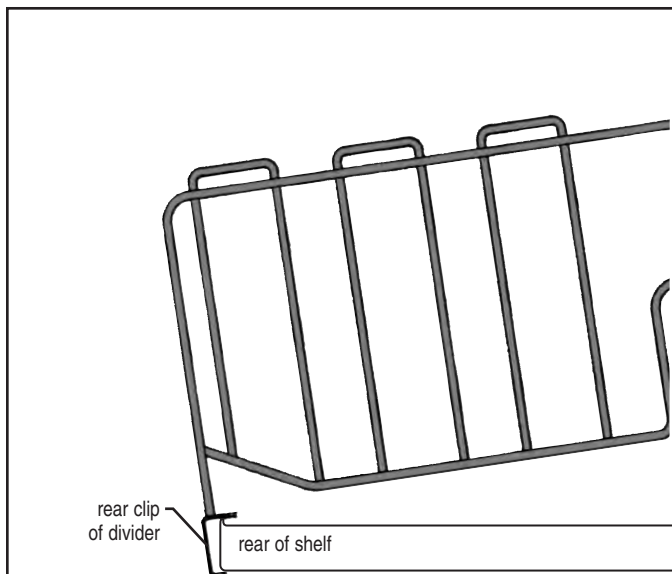
## INSTALLATION INSTRUCTIONS

### CAUTION

INSPECT CONTENTS IMMEDIATELY AND FILE CLAIM WITH DELIVERING CARRIER FOR ANY DAMAGE.  
**SAVE YOUR BOX AND ALL PACKING MATERIALS.**  
 YOU ARE RESPONSIBLE FOR DAMAGE TO YOUR UNIT IF RETURNED IMPROPERLY PACKED.

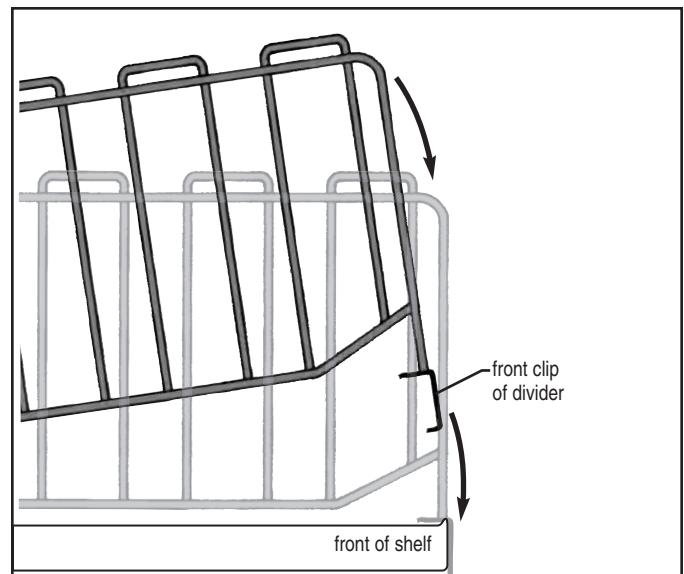
### Please note:

Before installing divider to solid shelf, it is suggested that the solid shelf should first be assembled to shelf unit.



#### Step 1

Tilted upward, place divider onto shelf, allowing rear clip of divider to hook onto rear of shelf.



#### Step 2

While lowering front of divider, pull toward front of shelf and hook front clip onto front of shelf.

Divider installation is complete.

(End)