

# RediPak® Wire Shelving Kit

## ASSEMBLY INSTRUCTIONS

### CAUTION

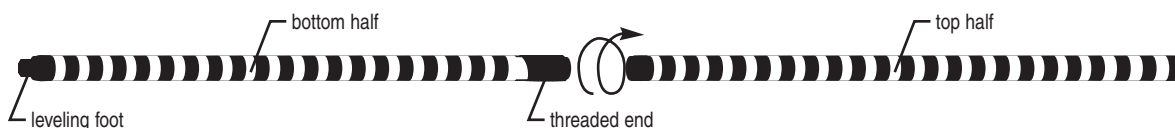
INSPECT CONTENTS IMMEDIATELY AND FILE CLAIM WITH DELIVERING CARRIER FOR ANY DAMAGE.

**SAVE YOUR BOX AND ALL PACKING MATERIALS.**

YOU ARE RESPONSIBLE FOR DAMAGE TO YOUR UNIT IF RETURNED IMPROPERLY PACKED.

### Before you begin assembling unit, posts must be assembled first.

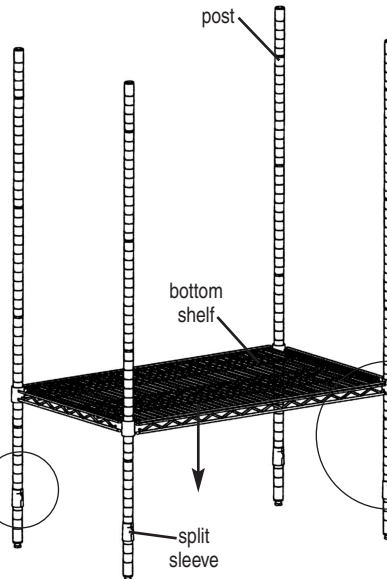
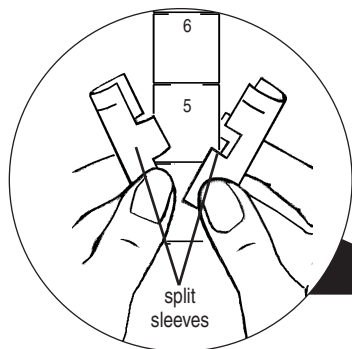
Bottom halves feature leveling foot and threaded tubing. Screw bottom half of each post into top half.



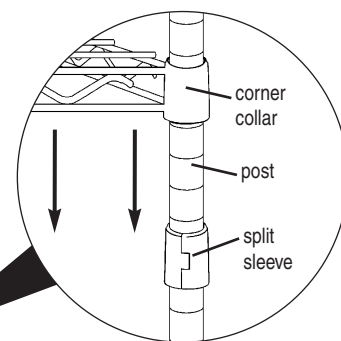
### Step 1 - Attach split sleeves (for bottom shelf) to posts.

- The wider part of the taper goes toward the bottom.
- Make sure rib on split sleeve is seated into a groove on the post.

Note: The number covered by the split sleeve indicates approximate height of shelf.



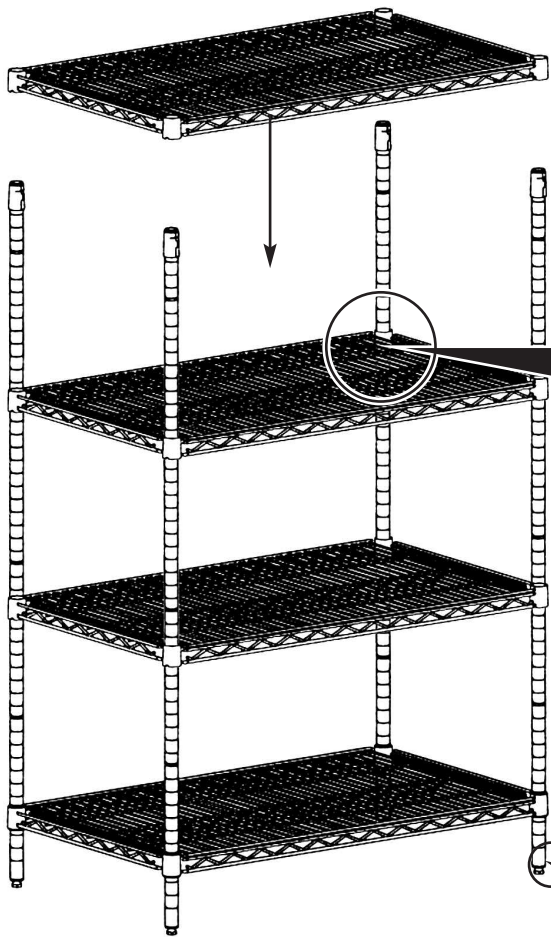
### Step 2 - Mount bottom shelf.



(continued on back page)

# RediPak® Wire Shelving Kit

## ASSEMBLY INSTRUCTIONS

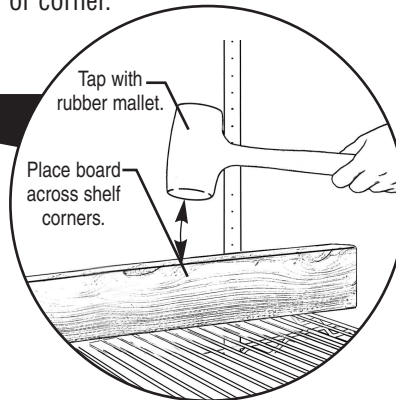


### Step 3: Mount additional shelves.

Refer to Steps 1 & 2 (front page), working from bottom to top.

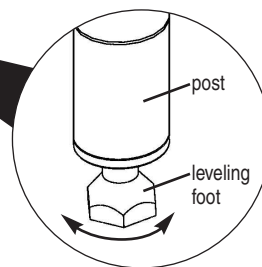
### Step 4: Securely seat all shelves.

Note: Do NOT hammer directly on wire or corner.



### Step 5: Level unit.

The leveling bolts allow approximately 1/2" adjustment.



**(End)**



### WARNING – TIPPING HAZARD



- Use caution when moving heavily loaded carts. Heavy loads are hard to control.
- Do not step, stand or climb on shelving units.
- Place heavy objects on lowest shelf.

***Failure to follow these guidelines can result in property damage or personal injury.***