



Profit from the Eagle Advantage®

Specification Sheet

Short Form Specifications

Eagle Electronic-Eye Faucet Hand Sink, model HSA-10-FE. Constructed of type 304 stainless steel, all-welded with deep drawn positive drain sink bowl, inverted "V" edge to prevent spillage, basket drain, and splash-mounted electronic-eye sensor beam faucet with 120-volt AC adaptor – 120/60/1.

Model HSA-10-FOE: Same as HSA-10-FE, except polymer lever drain with overflow (instead of basket drain).

Model HSA-10-FDPE: Same as HSA-10-FE, plus paper towel/ soap dispenser.

Model HSA-10-FODPE: Same as HSA-10-FOE, plus paper towel/soap dispenser.

Model HSA-10-FDPEE: Same as HSA-10-FE, plus paper towel dispenser with built-in electronic soap dispenser.

Model HSA-10-FA-PE: Same as HSA-10-FE, plus soap dispenser, stainless steel pedestal base with front access panel, p-trap, and tailpiece.



model #HSA-10-FDPEE



model #HSA-10-FE

Options / Accessories

- Anti-scald valve
- Electronic-eye faucet*
- Temperature adjustment valve
- Non-adjustable "Y" inlet valve
- P-trap
- Tail piece
- Electronic-eye soap/towel disp.
- Waste receptacle**
- MICROGARD® antimicrobial agent***

* To order electronic hand sink with Battery-Powered Electronic-Eye Faucet in place of standard electronic faucet, add suffix "-B" to end of hand sink model number. Example: HSA-10-FE-B

** Waste receptacle available for models HSA-10-FE, HSA-10-FDPE, and HSA-10-FDPEE.

*** See Product Announcement #EG8135 for more details about MICROGARD® for Hand Sinks. Available for all models except HSA-10-FOE and HSA-10-FODPE.

EAGLE GROUP
100 Industrial Boulevard, Clayton, DE 19938-8903 USA
Phone: 302-653-3000 • Fax: 302-653-2065
www.eaglegrp.com

Foodservice Division: Phone 800-441-8440
MHC/Retail Display Divisions: Phone 800-637-5100

For custom configuration or fabrication needs, contact our **SpecFAB® Division**.
Phone: 302-653-3000 • Fax: 302-653-2065 • e-mail: quotes@eaglegrp.com

Item No.: _____
 Project No.: _____
 S.I.S. No.: _____

Electronic Eye Hand Sinks —AC Power *

MODELS:

- HSA-10-FE
- HSA-10-FOE
- HSA-10-FDPE
- HSA-10-FDPEE
- HSA-10-FODPE
- HSA-10-FA-PE

Design & Construction Features

- Heavy gauge type 304 stainless steel all-welded construction.
- Inverted "V" edge rim retards spillage.
- Water flow is controlled by low-voltage solenoid valve that activates when electronic eyes' sensor beam is broken. Sensor beam adjusts 3" to 12" (76 to 305mm).
- Unique deep-drawn positive-drain bowl assures complete drainage to meet the most stringent health code requirements.
- All-welded towel dispenser features a hinged top assembly, sight window (to inspect towel level), soap dispenser, and is designed to accommodate 4" x 10" (102 x 254mm) C-fold disposable paper towels.
- Rear features a 7½" (191mm) high backsplash with a 2" (51mm) return on a 45° angle.
- Comes with wall mounting brackets.
- 120-volt 15-amp electricity required. Outlet must be within 5' (1524mm) of sink. 12-volt adapter included.

* For hand sinks with battery-powered faucet, see EG20.49.

Certifications / Approvals



AUTOQUOTES



EG20.42 Rev. 08/14

Spec sheets available for viewing, printing or downloading from our online literature library at www.eaglegrp.com

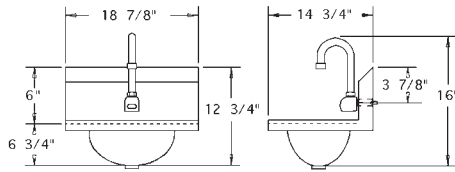


Profit from the Eagle Advantage®

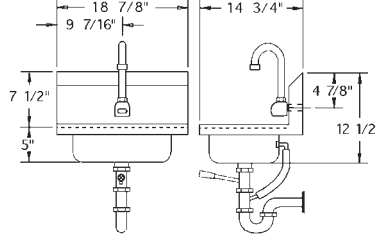
Item No.: _____
 Project No.: _____
 S.I.S. No.: _____

Electronic Eye Hand Sinks—AC Power

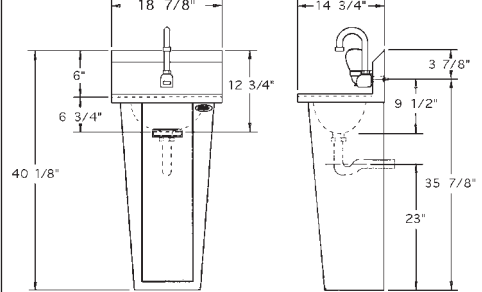
HSA-10-FE



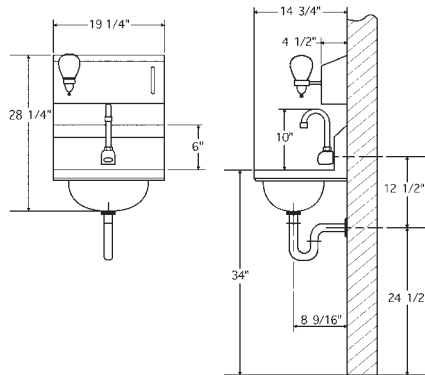
HSA-10-FOE



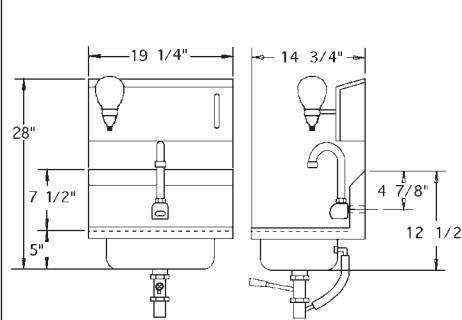
HSA-10-FA-PE



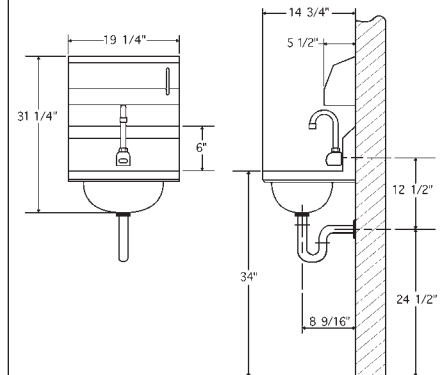
HSA-10-FDPE



HSA-10-FODPE



HSA-10-FDPEE



Note: installation of all electronic-eye hand sinks — Water temperature is controlled by mixing hot and cold water via user-supplied mixing valve prior to solenoid. 1.5" (38mm) drain connection.

Hand sinks with battery-powered faucet, battery-powered soap dispenser and waste receptacle available.

model #	includes	bowl size		overall size		weight	
		width in.	length x depth mm	width in.	length x height mm	lbs.	kg
HSA-10-FE	spout, electronic eye, basket drain	9 3/4"	13 1/2" x 6 3/4"	248 x 343 x 173	14 3/4" x 18 7/8" x 12 3/4"	376 x 480 x 324	14 6.3
HSA-10-FOE	spout, electronic eye, polymer lever drain with overflow	10"	14" x 5"	254 x 256 x 127	14 3/4" x 18 7/8" x 12 3/4"	376 x 480 x 324	13 5.7
HSA-10-FA-PE	spout, electronic eye, soap disp., p-trap, tail piece, basket drain	9 3/4"	13 1/2" x 6 3/4"	248 x 343 x 173	14 3/4" x 18 7/8" x 40 3/4"	376 x 480 x 1036	28 12.7
HSA-10-FDPE	spout, electronic eye, soap disp., towel dispenser, basket drain	9 3/4"	13 1/2" x 6 3/4"	248 x 343 x 173	14 3/4" x 19 1/4" x 28 1/4"	376 x 489 x 718	31 14.1
HSA-10-FODPE	spout, electronic eye, soap disp., towel dispenser, polymer lever drain with overflow	10"	14" x 5"	254 x 256 x 127	14 3/4" x 19 1/4" x 28"	376 x 489 x 711	30 13.6
HSA-10-FDPEE	spout, electronic eye, towel disp., electronic soap disp, basket drain	9 3/4"	13 1/2" x 6 3/4"	248 x 343 x 173	14 3/4" x 19 1/4" x 31 1/4"	376 x 489 x 794	30 13.6

EAGLE GROUP
 100 Industrial Boulevard, Clayton, DE 19938-8903 USA
 Phone: 302-653-3000 • Fax: 302-653-2065
 www.eaglegrp.com

Foodservice Division: Phone 800-441-8440
 MHC/Retail Display Divisions: Phone 800-637-5100

Printed in U.S.A.
 ©2014 by Eagle Group
 Rev. 08/14

Spec sheets available for viewing, printing or downloading from our online literature library at www.eaglegrp.com

Although every attempt has been made to ensure the accuracy of the information provided, we cannot be held responsible for typographical or printing errors. Information and specifications are subject to change without notice. Please confirm at time of order.