



Profit from the Eagle Advantage®

# Specification Sheet

## Short Form Specifications

Eagle Battery Powered Electronic Eye Hand Sink, model HSA-10-FE-B-DS. Constructed of type 304 stainless steel all-welded with deep-drawn positive drain sink bowl, inverted "V" edge to prevent spillage, drain, deck-mounted soap dispenser, and splash mounted battery-powered electronic-eye faucet with low battery indicator light.

Eagle Battery Powered Electronic Eye Narrow Hand Sink, model HSA-10-FE-B-DS. 12 1/2" side-to-side. Constructed of type 304 stainless steel all-welded deep-drawn positive drain sink bowl, inverted "V" edge to prevent spillage, drain, deck-mounted soap dispenser, and battery-powered electronic-eye faucet with low battery indicator light.



## Options / Accessories

- Faucet with wrist handles
- Anti-scald valve
- Towel dispenser\*
- P-trap
- End splashes
- Drinking bubbler
- MICROGARD® antimicrobial agent\*\*

\* Optional Towel Dispenser fits #HSA-10-F-DS only.

\*\* See Product Announcement #EG8135 for more details about MICROGARD® for Hand Sinks.

## EAGLE GROUP

100 Industrial Boulevard, Clayton, DE 19938-8903 USA  
Phone: 302-653-3000 • Fax: 302-653-2065  
www.eaglegrp.com

Foodservice Division: Phone 800-441-8440

MHC/Retail Display Divisions: Phone 800-637-5100

For custom configuration or fabrication needs, contact our SpecFAB® Division.

Phone: 302-653-3000 • Fax: 302-653-2065 • e-mail: quotes@eaglegrp.com

Item No.: \_\_\_\_\_  
 Project No.: \_\_\_\_\_  
 S.I.S. No.: \_\_\_\_\_

# Electronic-Eye Hand Sinks with Deck-Mounted Soap Dispensers

## MODELS:

- HSA-10-FE-B-DS
- HSA-10-FE-B-DS

## Design & Construction Features of Both Hand Sinks

- New standard deck-mounted pump-action liquid soap dispenser holds 16 oz. and features plastic globe and 4" (102mm) spout.
- Heavy gauge type 304 stainless steel all-welded construction.
- Splash-mounted battery-powered electronic-eye faucet comes with four "AA" batteries and built-in low battery indicator.
- Inverted "V" edge rim retards spillage.
- Unique deep-drawn positive-drain bowl assures complete drainage to meet the most stringent health code requirements.
- Includes 1 1/2" (38mm) stainless steel basket drain and mini crumb cup strainer.
- Furnished with stainless steel Z-clips to secure to wall.
- Includes splash mount gooseneck faucet, basket drain with mini crumb cup strainer, and soap dispenser.
- #HSA-10-FE-B-DS is only 12" (305mm) side-to-side for maximum space efficiency.



Spec sheets available for viewing, printing or downloading from our online literature library at [www.eaglegrp.com](http://www.eaglegrp.com)

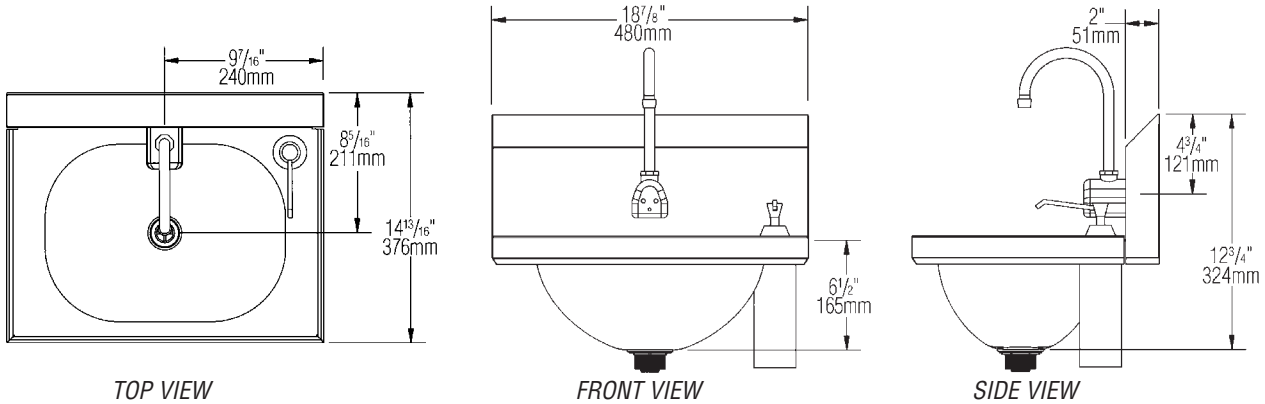
Eagle Foodservice Equipment, Eagle MHC, SpecFAB®, and Retail Display are divisions of Eagle Group. ©2014 by the Eagle Group



Item No.: \_\_\_\_\_  
 Project No.: \_\_\_\_\_  
 S.I.S. No.: \_\_\_\_\_

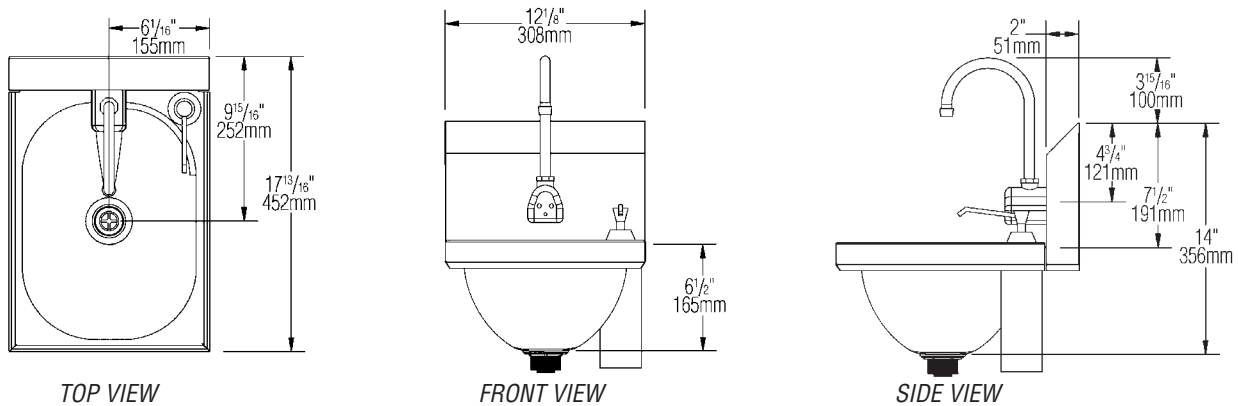
## Electronic-Eye Hand Sinks with Deck-Mounted Soap Dispensers

### Model #HSA-10-FE-B-DS



model #	bowl size		overall size		weight	
	width	length x depth	width	length x height	lbs.	kg
	in.	mm	in.	mm		
HSA-10-FE-B-DS	9 <sup>3</sup> / <sub>4</sub> "	13 <sup>1</sup> / <sub>2</sub> " x 6 <sup>3</sup> / <sub>4</sub> "	248 x 343 x 172	14 <sup>13</sup> / <sub>16</sub> " x 18 <sup>7</sup> / <sub>8</sub> " x 12 <sup>3</sup> / <sub>4</sub> "	376 x 480 x 324	16 7.3

### Model #HSAN-10-FE-B-DS



model #	bowl size		overall size		weight	
	width	length x depth	width	length x height	lbs.	kg
	in.	mm	in.	mm		
HSAN-10-FE-B-DS	13 <sup>1</sup> / <sub>2</sub> "	9 <sup>3</sup> / <sub>4</sub> " x 6 <sup>1</sup> / <sub>2</sub> "	343 x 248 x 165	17 <sup>13</sup> / <sub>16</sub> " x 12 <sup>1</sup> / <sub>8</sub> " x 14 <sup>1</sup> / <sub>4</sub> "	453 x 308 x 362	16 7.3

**EAGLE GROUP**  
 100 Industrial Boulevard, Clayton, DE 19938-8903 USA  
 Phone: 302-653-3000 • Fax: 302-653-2065  
 www.eaglegrp.com

Foodservice Division: Phone 800-441-8440  
 MHC/Retail Display Divisions: Phone 800-637-5100

Printed in U.S.A.  
 ©2014 by Eagle Group

Rev. 08/14

Spec sheets available for viewing, printing or downloading from our online literature library at [www.eaglegrp.com](http://www.eaglegrp.com)

Although every attempt has been made to ensure the accuracy of the information provided, we cannot be held responsible for typographical or printing errors. Information and specifications are subject to change without notice. Please confirm at time of order.