

**End Splashes for HSA Sinks****INSTALLATION INSTRUCTIONS**

To install end splashes onto HSA sinks, see reverse page.

**CAUTION**

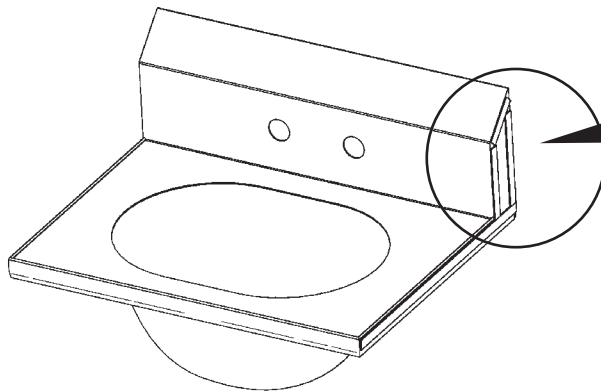
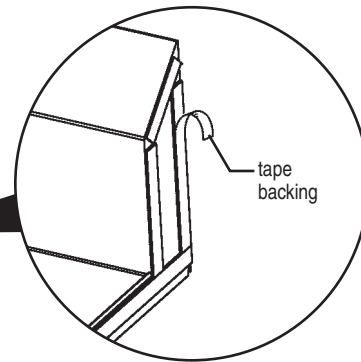
INSPECT CONTENTS IMMEDIATELY AND FILE CLAIM WITH DELIVERING CARRIER FOR ANY DAMAGE.

**SAVE YOUR BOX AND ALL PACKING MATERIALS.**

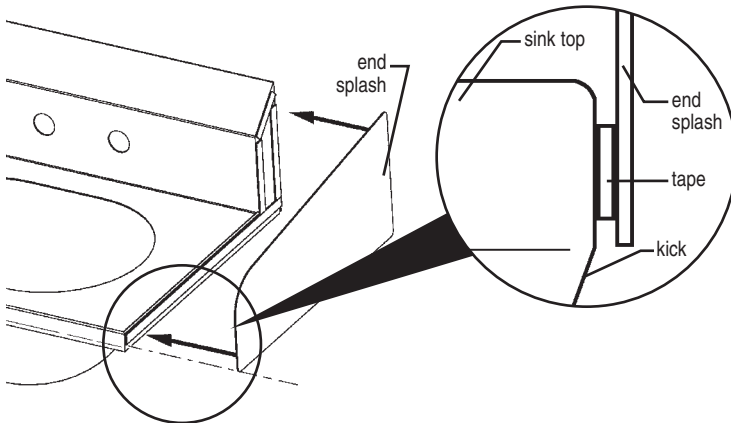
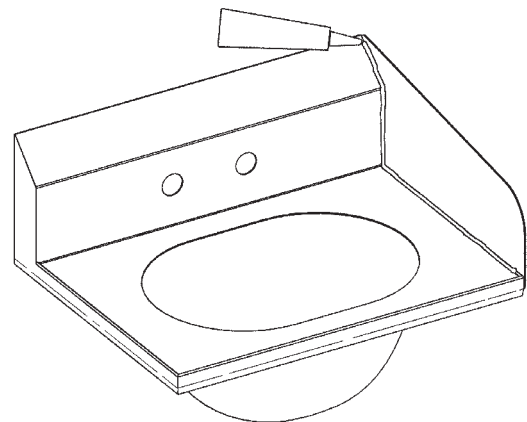
YOU ARE RESPONSIBLE FOR DAMAGE TO YOUR UNIT IF RETURNED IMPROPERLY PACKED.

**Step 1 - Apply double-sided tape to end of hand sink.**

Note: In order for proper bonding of the tape adhesive, ensure the end of the hand sink is free of dirt, oil and other contaminants prior to installation. Use alcohol wipe provided.

**Step 2 - Peel off tape backing.****Step 3 - Adhere end splash to end of hand sink.**

Align bottom of end splash with sink end as shown, and press firmly.

**Step 4 - Apply silicone to all seams.**

If two end splashes were ordered, repeat Steps 1 through 4 to install the remaining end splash.

**(End)**

EG10096 Revised 04/09



- 100 Industrial Boulevard, Clayton, Delaware 19938-8903 U.S.A. • [www.eaglegrp.com](http://www.eaglegrp.com)
- Phone: 302/653-3000 • (Foodservice) 800/441-8440 • (MHC/Retail) 800/637-5100
- Fax: 302/653-2065

# End Splashes for HSA Sinks

## INSTALLATION INSTRUCTIONS

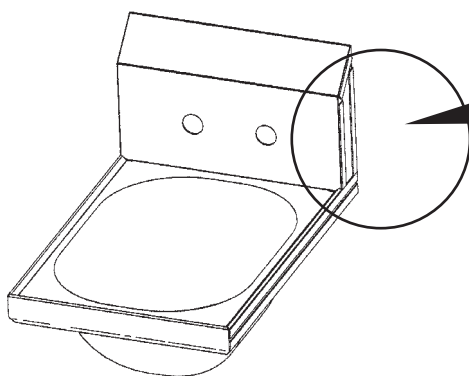
To install end splashes onto HSA sinks, see reverse page.

### CAUTION

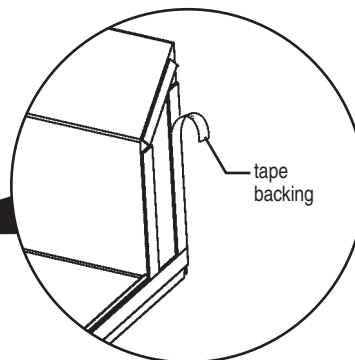
INSPECT CONTENTS IMMEDIATELY AND FILE CLAIM WITH DELIVERING CARRIER FOR ANY DAMAGE.  
**SAVE YOUR BOX AND ALL PACKING MATERIALS.**  
YOU ARE RESPONSIBLE FOR DAMAGE TO YOUR UNIT IF RETURNED IMPROPERLY PACKED.

#### Step 1 - Apply double-sided tape to end of hand sink.

Note: In order for proper bonding of the tape adhesive, ensure the end of the hand sink is free of dirt, oil and other contaminants prior to installation. Use alcohol wipe provided.

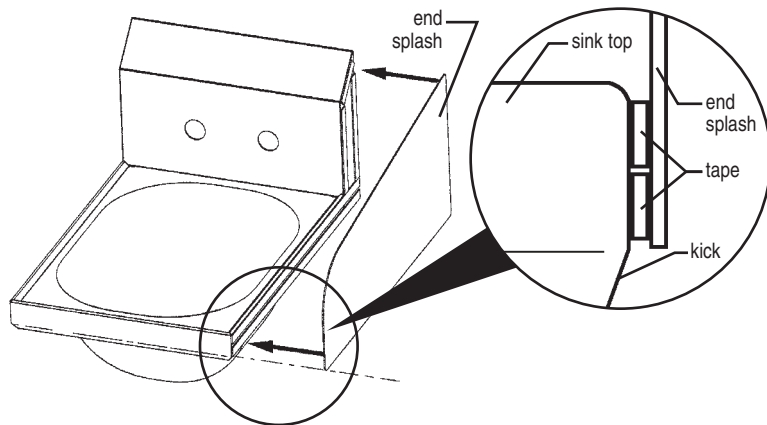


#### Step 2 - Peel off tape backing.

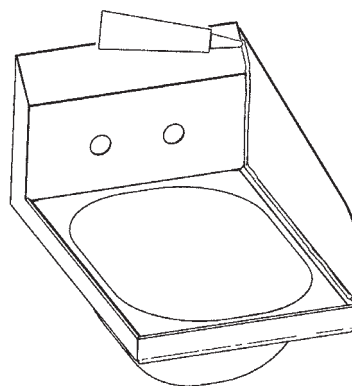


#### Step 3 - Adhere end splash to end of hand sink.

Align bottom of end splash with sink end as shown, and press firmly.



#### Step 4 - Apply silicone to all seams.



If two end splashes were ordered, repeat Steps 1 through 4 to install the remaining end splash.

