

Hand Sinks with Skirt, Knee Valve, or Towel Dispenser

ASSEMBLY INSTRUCTIONS

For Hand Sinks with Skirt, see page 2.

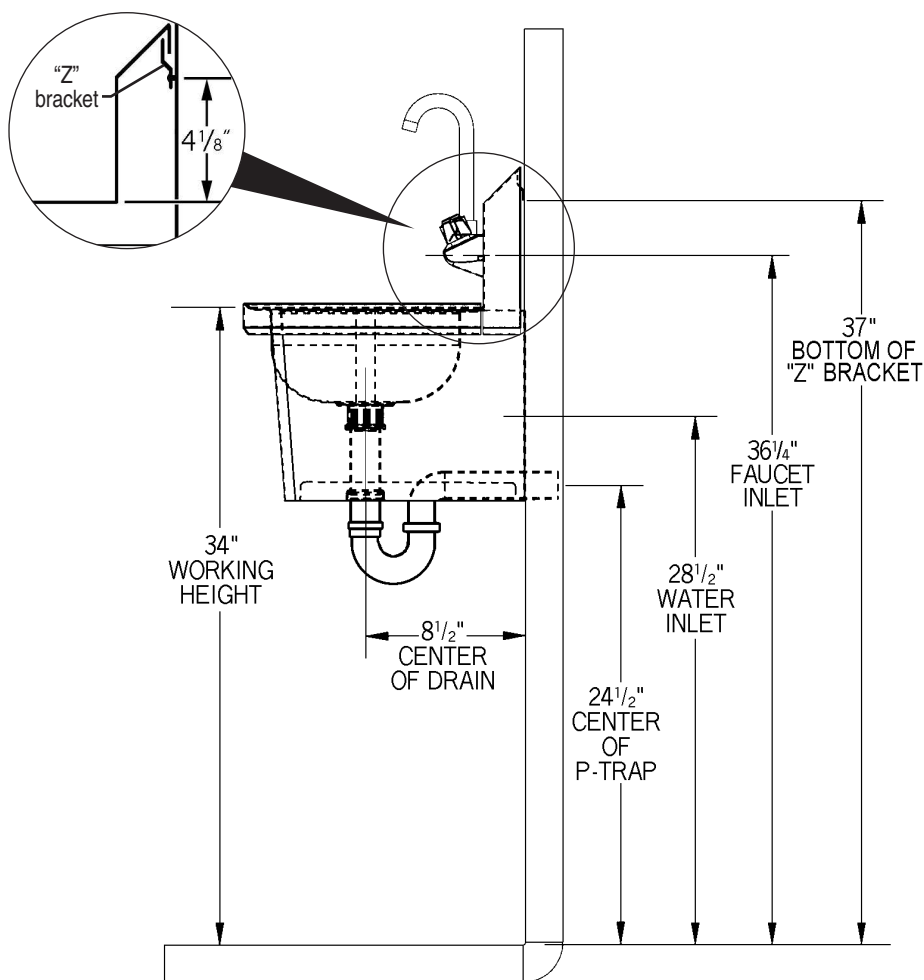
For Hand Sinks with Knee Valve, see page 3.

For Hand Sinks with Towel Dispenser, see back page.

CAUTION

INSPECT CONTENTS IMMEDIATELY AND FILE CLAIM WITH DELIVERING CARRIER FOR ANY DAMAGE.
SAVE YOUR BOX AND ALL PACKING MATERIALS.
YOU ARE RESPONSIBLE FOR DAMAGE TO YOUR UNIT IF RETURNED IMPROPERLY PACKED.

Dimensions for plumbing rough-ins:



(continued on page 2)

EG10051 Revised 05/15



• 100 Industrial Boulevard, Clayton, Delaware 19938-8903 U.S.A. • www.eaglegrp.com
• Phone: 302/653-3000 • (Foodservice) 800/441-8440 • (MHC/Retail) 800/637-5100
• Fax: 302/653-2065

Hand Sinks with Skirt

ASSEMBLY INSTRUCTIONS

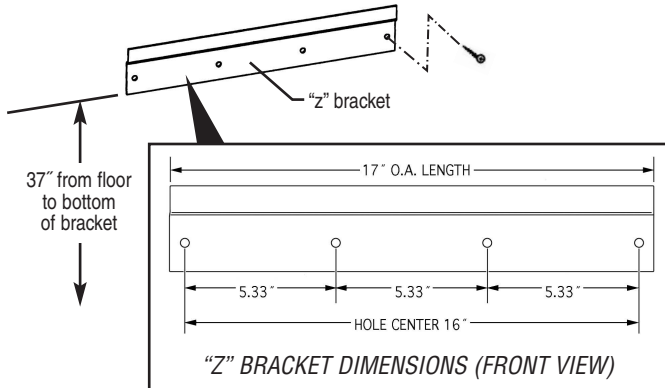
Please note before assembly:

- Attach faucet to hand sink per faucet instructions.
- Remove the locking nuts from underside of hand sink and set aside.
- Please follow the plumbing rough-ins (front page). All dimensions are nominal.

Step 1 - Attach "z" bracket.

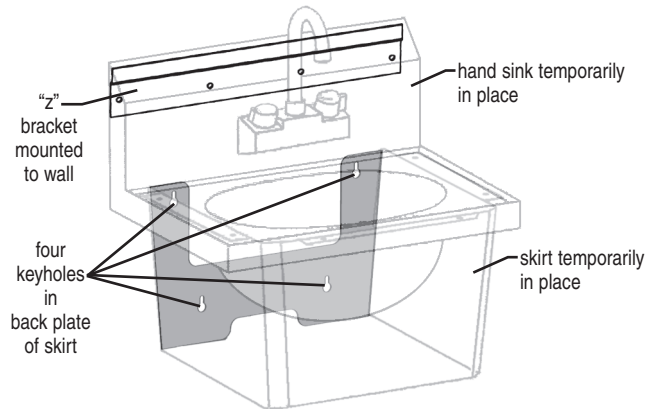
Use a level for straightness.

(Note: Mounting hardware not included.)



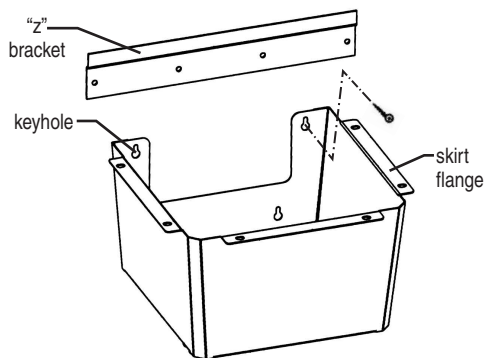
Step 2 - Mark holes for skirt.

- Temporarily hang hand sink off "z" bracket.
- Hold skirt to underside of hand sink as if attaching (as shown in Step 4).
- Mark location of keyholes and set aside hand sink.

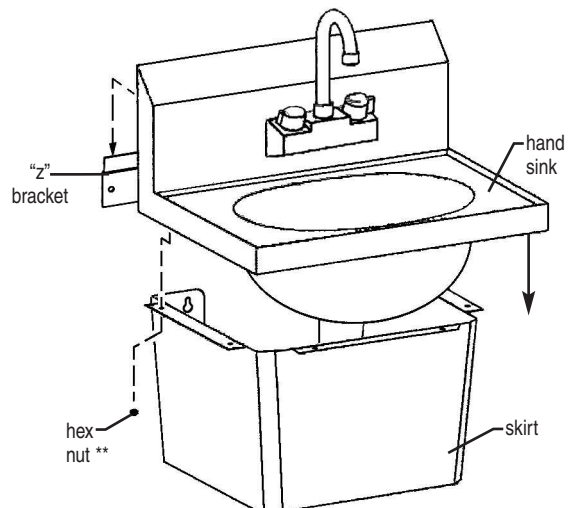


Step 3 - Mount skirt to wall.

(Note: Mounting hardware not included.)



Step 4 - Mount hand sink to skirt.



** Two hex nuts per side, two in front. Hex nuts provided. (If hex nuts are not present, see note below.)

(End)

NOTE: Skirt available as accessory to most hand sinks, or as replacement component to Hand Sinks with Skirt. When ordered separately, skirt comes with two-sided adhesive tape instead of hex nuts.

Hand Sinks with Knee Valve

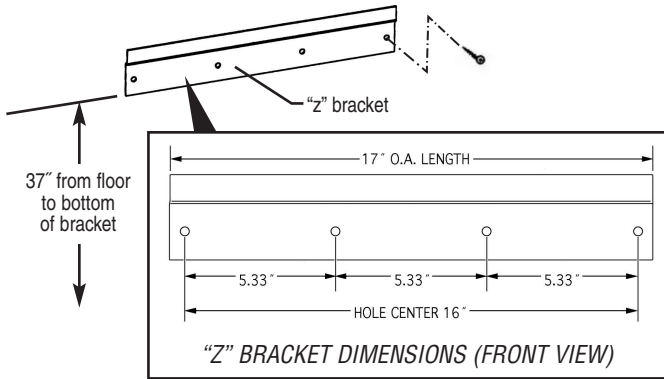
ASSEMBLY INSTRUCTIONS

Please note before assembly:

- Attach spout and water lines to hand sink per knee valve instructions.
- Attach pedals to knee valve bracket per knee valve instructions.
- Remove the locking nuts from underside of hand sink and set aside.
- Please follow the plumbing rough-ins (front page). All dimensions are nominal.

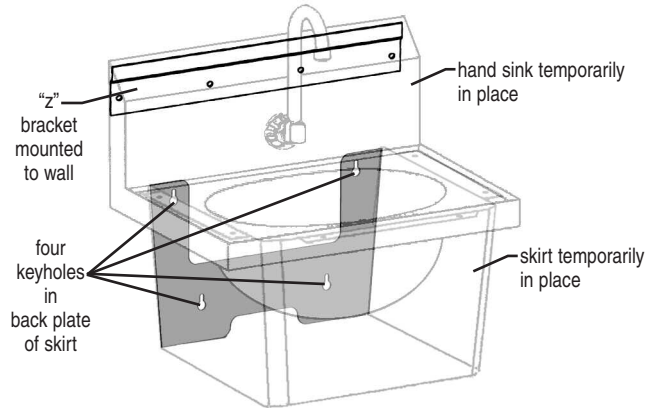
Step 1 - Attach "z" bracket.

Use a level for straightness.
(Note: Mounting hardware not included.)



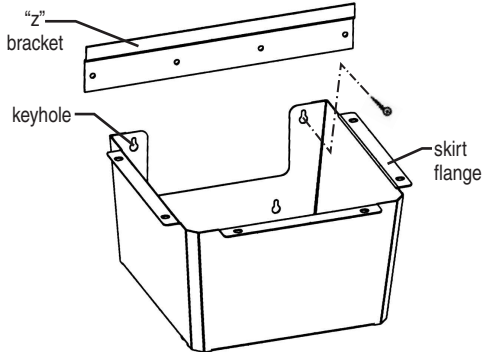
Step 2 - Mark holes for skirt.

- Temporarily hang hand sink off "z" bracket.
- Hold skirt to underside of hand sink as if attaching (as shown in Step 4).
- Mark location of keyholes and set aside hand sink.

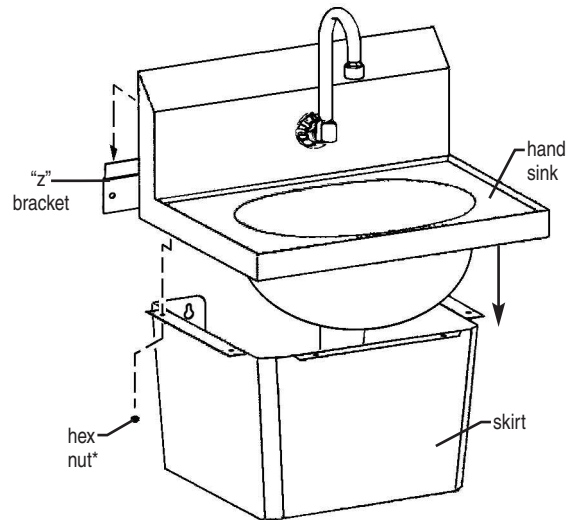


Step 3 - Mount skirt to wall.

(Note: Mounting hardware not included.)

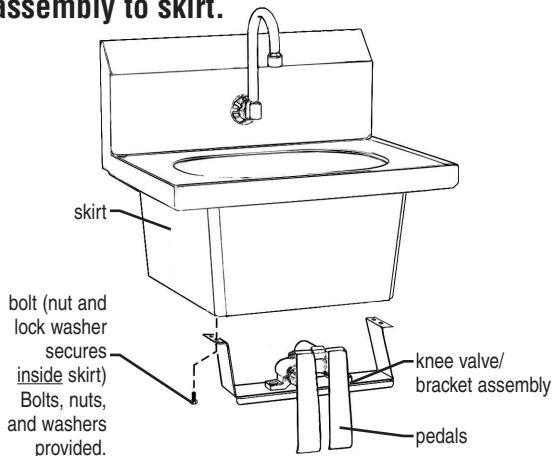


Step 4 - Mount hand sink to skirt.



* Two hex nuts per side, two in front.
Hex nuts provided.

Step 5 - Mount knee valve/bracket assembly to skirt.



Step 6 - Attach lines to pedals per knee valve instructions.

(End)

Hand Sinks with Towel Dispenser

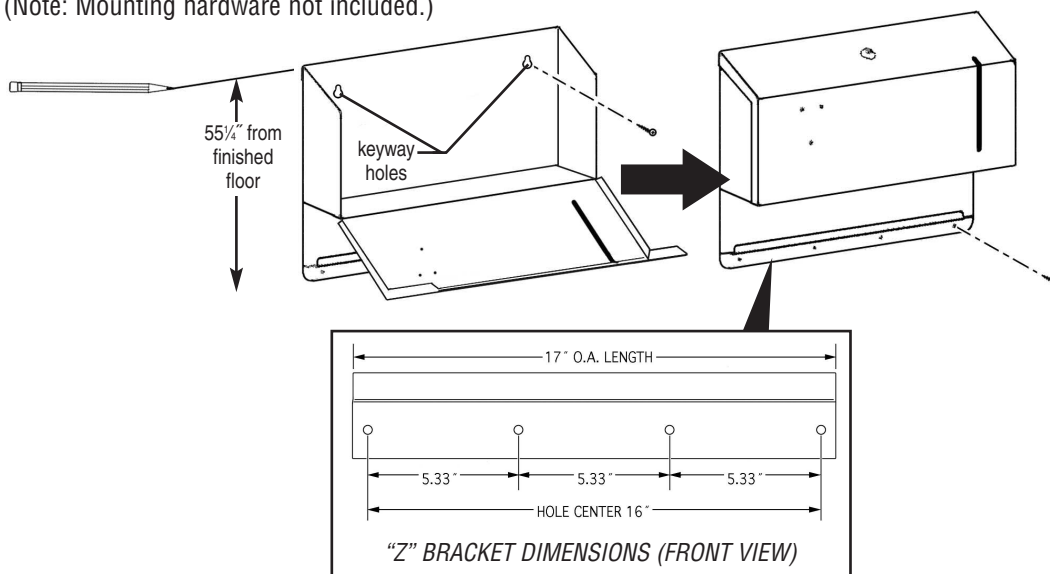
ASSEMBLY INSTRUCTIONS

Please note before assembly:

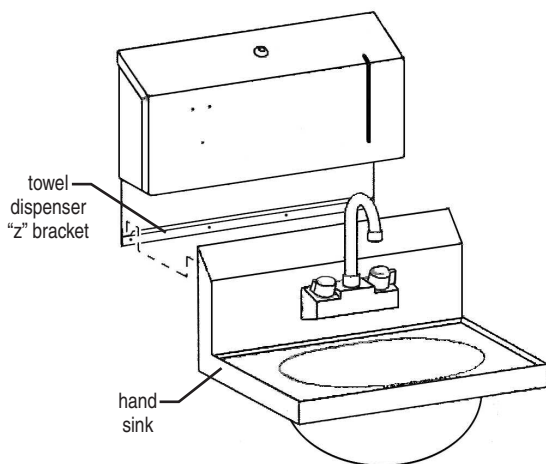
- Attach faucet to hand sink per faucet instructions.
- Please follow the plumbing rough-ins (front page). All dimensions are nominal.

Step 1 - Mount towel dispenser to wall.

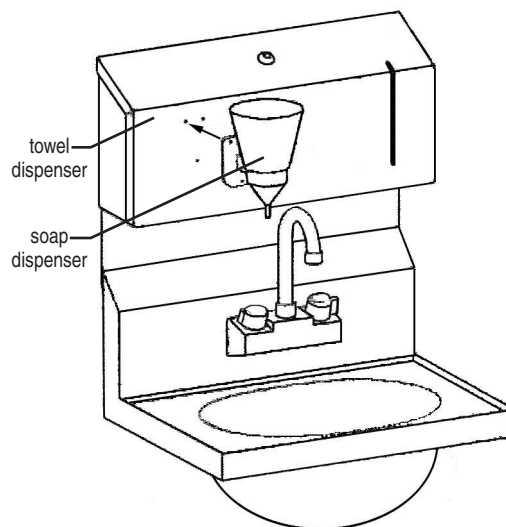
(Note: Mounting hardware not included.)



Step 2 - Hang hand sink off of towel dispenser "z" bracket.



Step 3 - Attach soap dispenser to towel dispenser.



(End)