

Hand Sinks

INSTALLATION INSTRUCTIONS

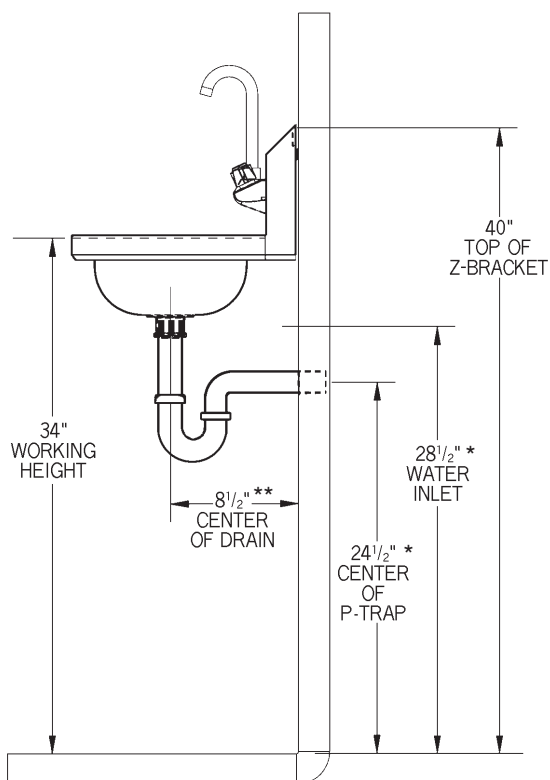
For basic non-electric Hand Sinks with splash-mounted faucet, and with basket or lever drain.
Instructions do NOT pertain to sinks with towel dispenser, skirting, or any other component.

CAUTION

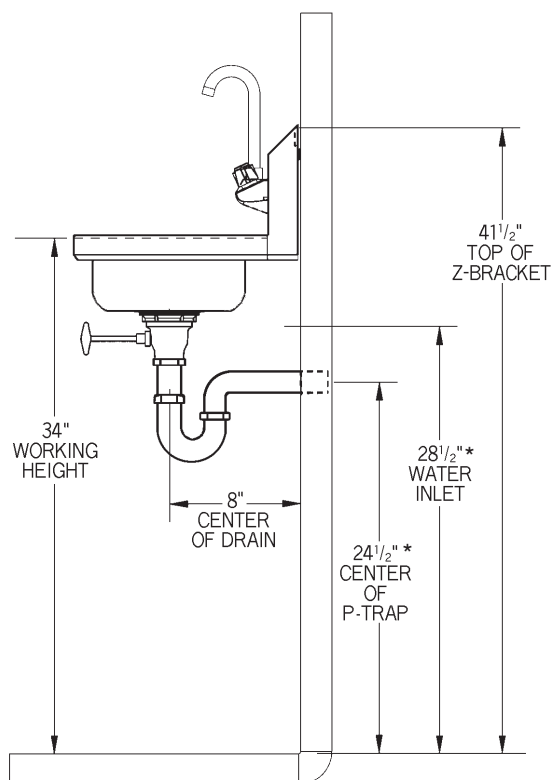
INSPECT CONTENTS IMMEDIATELY AND FILE CLAIM WITH DELIVERING CARRIER FOR ANY DAMAGE.
SAVE YOUR BOX AND ALL PACKING MATERIALS.
YOU ARE RESPONSIBLE FOR DAMAGE TO YOUR UNIT IF RETURNED IMPROPERLY PACKED.

Dimensions for plumbing rough-ins:

SINK WITH BASKET DRAIN



SINK WITH LEVER DRAIN



* Nominal – dimensions may vary.
** 10 1/2" on Narrow Hand Sinks.

(continued on back page)

Hand Sinks

INSTALLATION INSTRUCTIONS

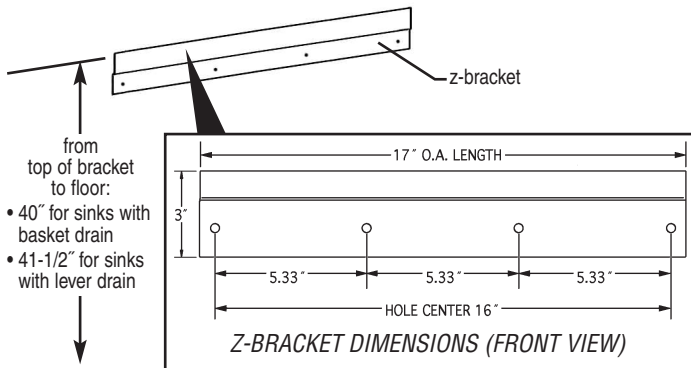
Please note before installation:

- Attach faucet to hand sink per faucet instructions.
- Attach drain to hand sink per drain instructions.
- If your sink came with deck-mounted soap dispenser, attach per dispenser instructions.
- Please follow the plumbing rough-ins (front page). All dimensions are nominal.
- Instructions show sink with splash-mounted faucet, but also pertain to sinks with deck-mounted faucet.

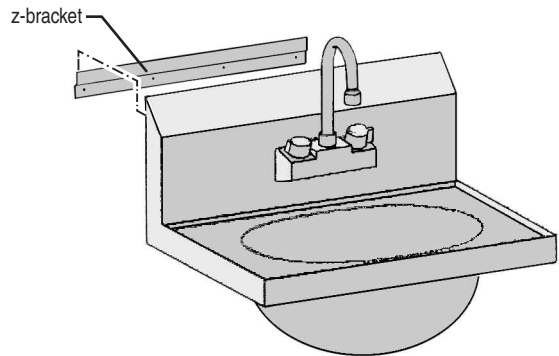
Step 1 - Attach z-bracket to wall.

Use a level for straightness.

(Note: Mounting hardware not included.)

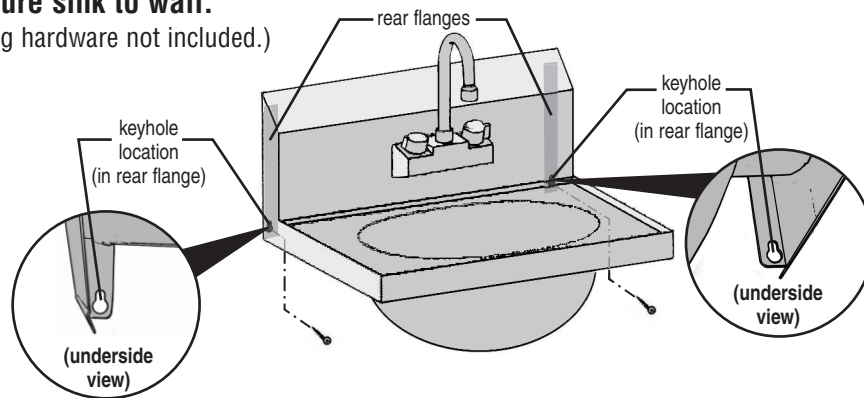


Step 2 - Center and hang sink on z-bracket.



Step 3 - Secure sink to wall.

(Note: Mounting hardware not included.)



Step 4 - Attach plumbing.

Following plumbing rough-ins on front page. Attach water inlet lines and drainage.

Installation is complete.

(End)



Profit from the Eagle Advantage®

- 100 Industrial Boulevard, Clayton, Delaware 19938-8903 U.S.A. • www.eaglegrp.com
- Phone: 302/653-3000 • (Foodservice) 800/441-8440 • (MHC/Retail) 800/637-5100
- Fax: 302/653-2065

Eagle Foodservice Equipment, Eagle MHC, SpecFAB®, and Retail Display are divisions of Eagle Group. ©2012 by the Eagle Group