



Profit from the Eagle Advantage®

Specification Sheet

Short Form Specifications

62% laminar flow through a wire shelf with a load capacity of 800 pounds. Chrome plated or electropolished stainless steel. 12" cantilevered overshelves with 1" built-in ledge. 33" working height.

Item No.:	_____
Project No.:	_____
S.I.S. No.:	_____

Cleanroom Workstations

MODELS:

- | | | |
|-----------------------------------|------------------------------------|-------------------------------------|
| <input type="checkbox"/> WS2436* | <input type="checkbox"/> MWS2448* | <input type="checkbox"/> MWS2436WT* |
| <input type="checkbox"/> WS2448* | <input type="checkbox"/> WS2436WT* | <input type="checkbox"/> WS2448WT* |
| <input type="checkbox"/> MWS2436* | <input type="checkbox"/> WS2448WT* | <input type="checkbox"/> KBD-2* |

* See charts on back for complete model numbers.



basic wire top workstation



wire top workstation with two overshelves

Basic Wire Top Units

- Up to 800 lbs. (363kg) load-bearing capacity.
- Chrome or stainless steel finish.
- 33" (838mm) overall height on stationary units; 39" (991mm) overall height on mobile units.
- 1" (25mm) square three-sided frame.
- Black split sleeves included.
- Shipped knocked down.

Wire Top Units with Two Overshelves

- Up to 800 lbs. (363kg) load-bearing capacity.
- Chrome or stainless steel finish.
- 33" (838mm) working height on stationary units. 39" (991mm) working height on mobile units.
- 63" (1600mm) overall height on stationary units; 69" (1753mm) overall height on mobile units.
- Two full-length 12" (305mm)-wide cantilever wire overshelves.
- 1" (25mm) square three-sided frame.
- Black split sleeves included.
- Shipped knocked down.

Optional Keyboard Stations

- 20½"-wide x 11½"-deep (521 x 292mm).
- Available in stainless steel or chrome finishes.
- Easily attaches to underside of wire top on all units.

Mobile Computer Workstations also available. See catalog sheet EG01.04.

Options / Accessories

- Keyboard stations

EAGLE GROUP

100 Industrial Boulevard, Clayton, DE 19938-8903 USA

Phone: 302-653-3000 • Fax: 302-653-2065

www.eaglegrp.com

Foodservice Division: Phone 800-441-8440

MHC/Retail Display Divisions: Phone 800-637-5100

For custom configuration or fabrication needs, contact our SpecFAB® Division.

Phone: 302-653-3000 • Fax: 302-653-2065 • e-mail: quotes@eaglegrp.com

EG04.10 Rev. 06/13

Spec sheets available for viewing, printing or downloading from our online literature library at www.eaglegrp.com

Eagle Foodservice Equipment, Eagle MHC, SpecFAB®, and Retail Display are divisions of Eagle Group. ©2013 by the Eagle Group



Profit from the Eagle Advantage®

Item No.: _____
 Project No.: _____
 S.I.S. No.: _____

Cleanroom Workstations

Basic Wire Top Units

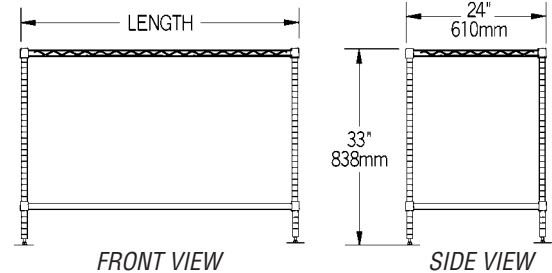
Stationary Units

chrome model #	stainless steel model #	weight lbs. kg	width* in. mm	length* in. mm
WS2436C	WS2436S	21 9.5	24" 610	36" 914
WS2448C	WS2448S	28 12.7	24" 610	48" 1219

Mobile Units

chrome model #	stainless steel model #	weight lbs. kg	width* in. mm	length* in. mm
MWS2436C	MWS2436S	29 13.2	24" 610	36" 914
MWS2448C	MWS2448S	36 16.3	24" 610	48" 1219

* Offered in any width or length of standard wire shelf (see catalog sheet #EG01.00).
 Call Customer Service for details.



Note: stationary unit shown

Wire Top Units with Two Overshelves

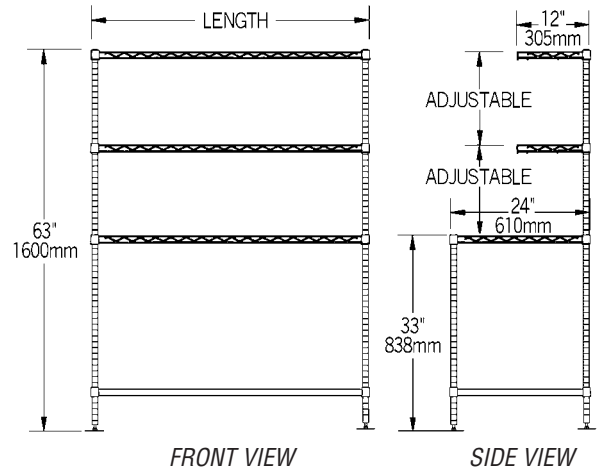
Stationary Units

chrome model #	stainless steel model #	weight lbs. kg	width* in. mm	length* in. mm
WS2436WT	WS2436WT-S	34 15.4	24" 610	36" 914
WS2448WT	WS2448WT-S	41 18.6	24" 610	48" 1219

Mobile Units

chrome model #	stainless steel model #	weight lbs. kg	width* in. mm	length* in. mm
MWS2436WT	MWS2436WT-S	42 19.1	24" 610	36" 914
MWS2448WT	MWS2448WT-S	56 25.4	24" 610	48" 1219

* Offered in any width or length of standard wire shelf (see catalog sheet #EG01.00).
 Call Customer Service for details.



Note: stationary unit shown

Optional Keyboard Stations

chrome model #	stainless steel model #	weight lbs. kg
KBD-2	KBD-2/SS	6.0 2.7



EAGLE GROUP

100 Industrial Boulevard, Clayton, DE 19938-8903 USA

Phone: 302-653-3000 • Fax: 302-653-2065

www.eaglegrp.com

Foodservice Division: Phone 800-441-8440

MHC/Retail Display Divisions: Phone 800-637-5100

Printed in U.S.A.
 ©2013 by Eagle Group

Rev. 06/13

Spec sheets available for viewing, printing or downloading from our online literature library at www.eaglegrp.com

Although every attempt has been made to ensure the accuracy of the information provided, we cannot be held responsible for typographical or printing errors. Information and specifications are subject to change without notice. Please confirm at time of order.