

Cantilever Gown Rack

ASSEMBLY INSTRUCTIONS

CAUTION

INSPECT CONTENTS IMMEDIATELY AND FILE CLAIM WITH DELIVERING CARRIER FOR ANY DAMAGE.
SAVE YOUR BOX AND ALL PACKING MATERIALS. YOU ARE RESPONSIBLE FOR DAMAGE TO YOUR UNIT IF RETURNED IMPROPERLY PACKED.

Hardware

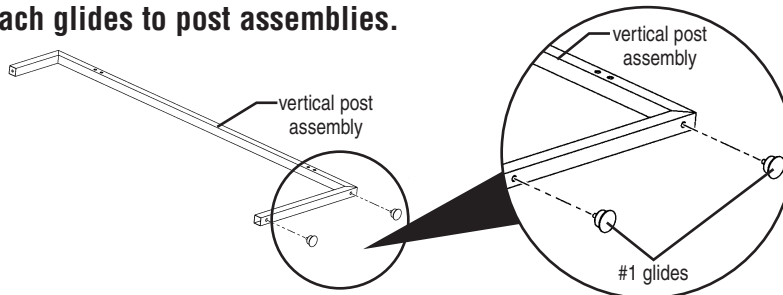
<i>Item</i>	<i>qty</i>	<i>description</i>	<i>part number</i>
1	4	3/8" Stem Glide	316996
2	*	3/8"-16 x 7/8" Bolt	303378
3	8	1/4"-20 x 1 1/4" Screw	318070
4	4	1/4"-20 x 1/2" Screw	314193**
5	8	1/4"-20 Acorn Nut	313482
6	2	1/4" Black Plug	317280

* Quantity of 10 on racks for removable hangers.
Quantity of 12 on racks for non-removable hangers.
** For non-removable hanger racks only.

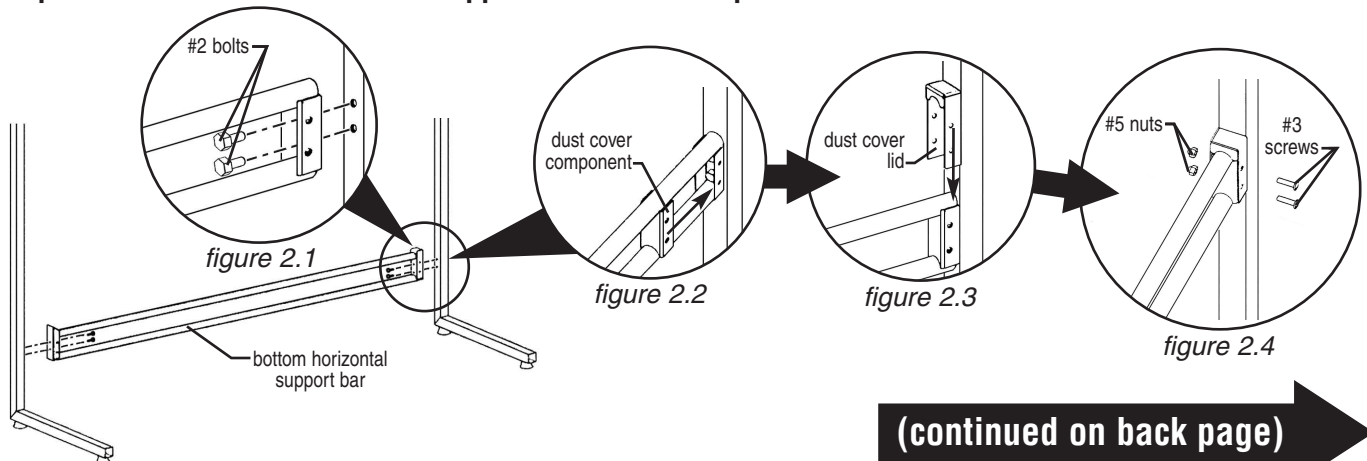
Tools required for assembly:

- 3/8" slotted screwdriver
- 1/2" combination wrench

Step 1 - Attach glides to post assemblies.



Step 2 - Attach bottom horizontal support bar to vertical post assemblies.



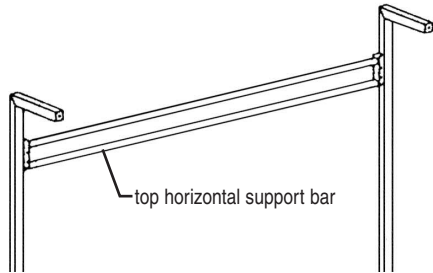
(continued on back page)

Cantilever Gown Rack

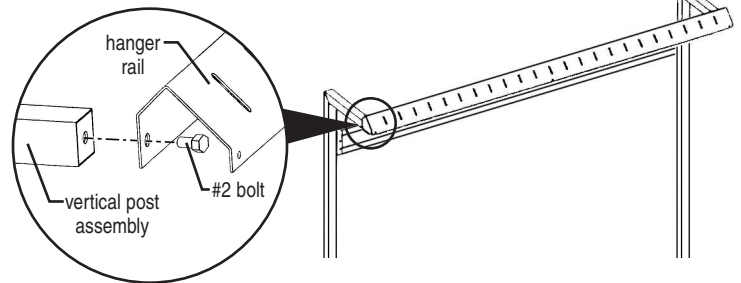
ASSEMBLY INSTRUCTIONS

Step 3 - Attach top horizontal support bar to vertical post assemblies.

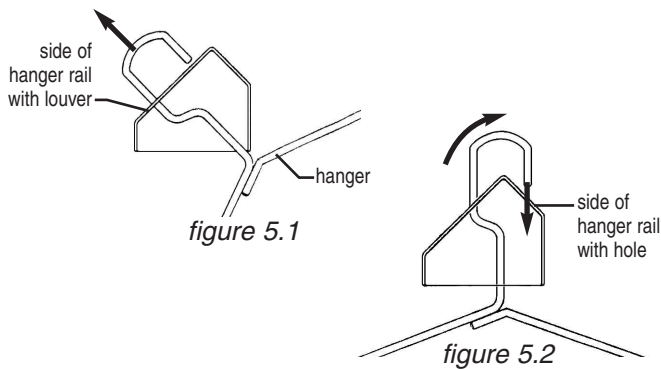
(Mount support bar and dust covers as shown in Step 2.)



Step 4 - Attach hanger rail.

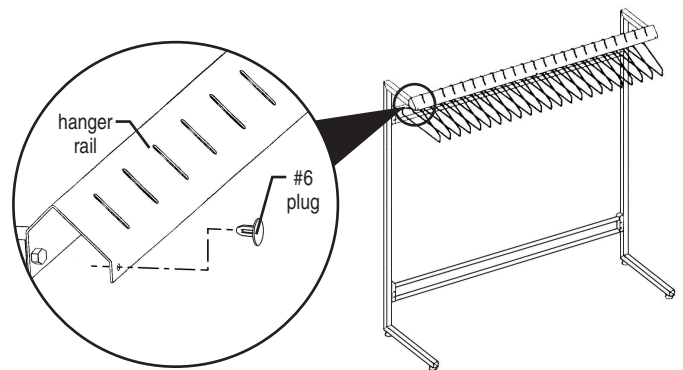


Step 5 - Install hangers.

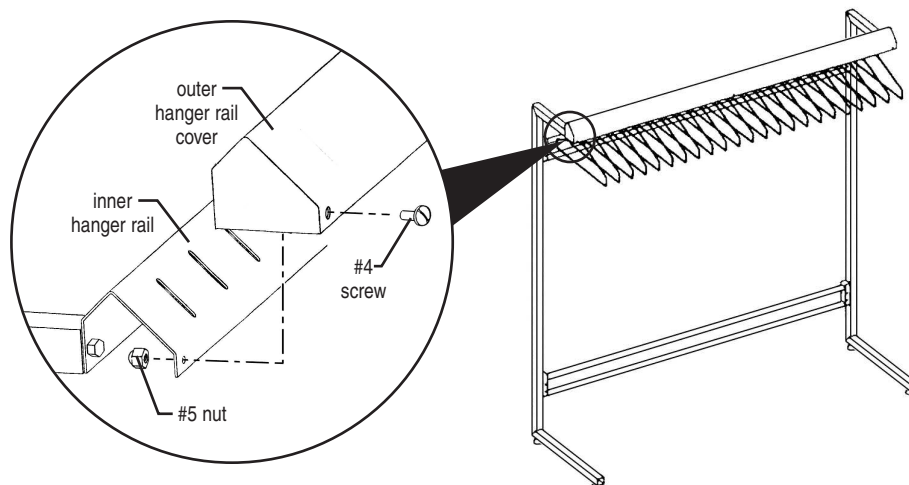


Step 6 - Plug holes.

(Note: If removable hanger gown rack was ordered, fill hole openings with #6 plugs.)



Optional outer hanger rail cover



(End)