

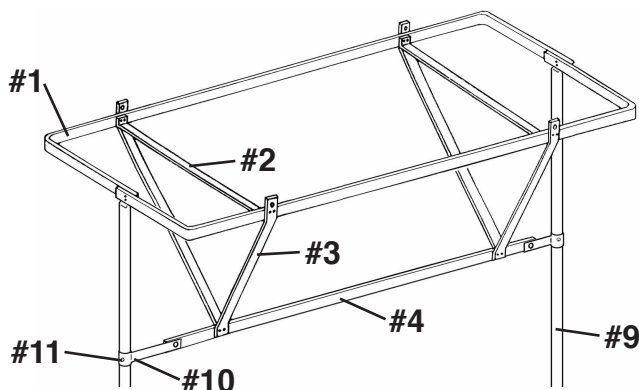
Table-Mounted Pot Rack

ASSEMBLY INSTRUCTIONS

CAUTION

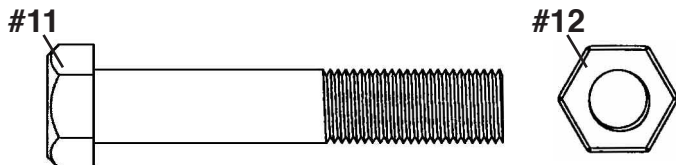
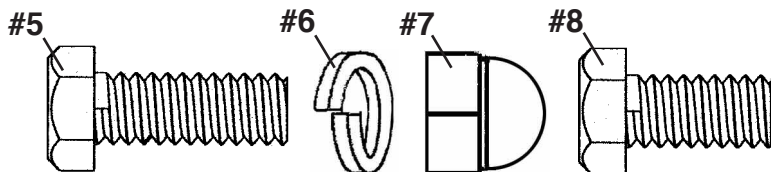
INSPECT CONTENTS IMMEDIATELY AND FILE CLAIM WITH DELIVERING CARRIER FOR ANY DAMAGE.
SAVE YOUR BOX AND ALL PACKING MATERIALS.
YOU ARE RESPONSIBLE FOR DAMAGE TO YOUR UNIT IF RETURNED IMPROPERLY PACKED.

Parts List

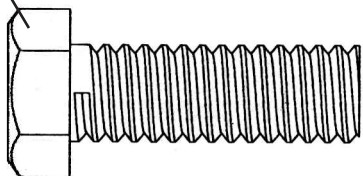


#	qty	part #	description
#1	2	*	bar - top piece
#2	*	305669	cross top support
#3	*	305668	support
#4	1	*	bottom rack bar
#5	*	306136	hex head bolt $\frac{3}{8}$ "-1"
#6	*	306122	lock washer, $\frac{3}{8}$ "
#7	*	306137	cap nut, $\frac{3}{8}$ "
#8	4	306138	hex cap bolt, $\frac{3}{8}$ "- $\frac{3}{4}$ "
#9	2	305663	84" leg
#10	2	306569	leg clip
#11	*	326785	bolt gusset, $\frac{3}{8}$ "-16 x 2 $\frac{1}{4}$ "
#12	*	310176	nut, $\frac{3}{8}$ "-16
#13	2	300962**	bolt, $\frac{1}{2}$ "-13 x 1 $\frac{1}{2}$ "
		or	
#13	2	304143***	bolt, $\frac{1}{2}$ "-13 x 2 $\frac{1}{2}$ "

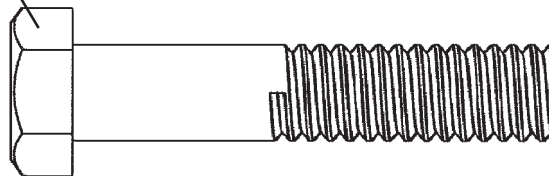
actual size of hardware:



#13 (#300962)



#13 (#304143)



* Quantities and/or part numbers vary, depending on size.
** Used with tables that do not have center channels on undershelf.
*** Used with tables that have center channels on undershelf.

(continued on back page)

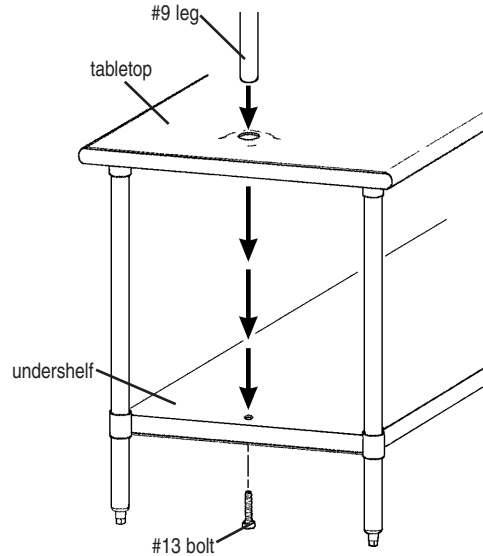
Table-Mounted Pot Rack

ASSEMBLY INSTRUCTIONS

Step 1 - Bolt leg to each end of table.

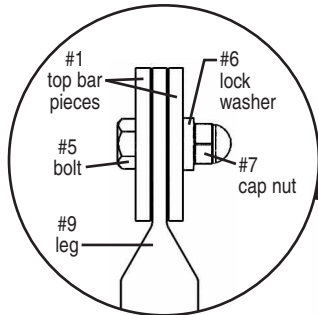
Please note:

- If you are assembling table-mounted pot rack to a pre-ordered table, you are required to drill appropriate holes. Tabletop hole is 1-5/8" diameter. Undershelf hole is 1/2" diameter.
- If you ordered an optional adjustable shelf for table-mounted pot rack, then attach to tubular supports now at desired height.

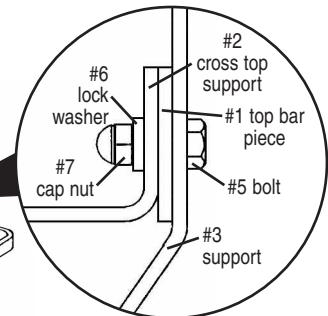


Please note before continuing: For easier assembly, turn table onto its side.

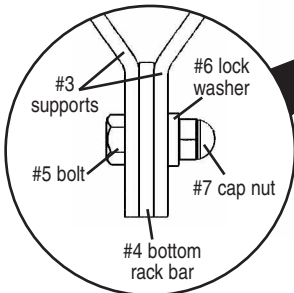
Step 2 - Assemble top bar.



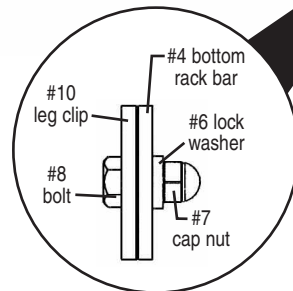
Step 3 - Attach cross top supports and bottom supports to top bar assembly.



Step 4 - Attach bottom rack bar.

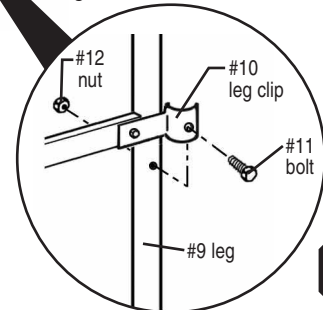


Step 5 - Attach leg clips to bottom rack bar.



Step 6 - Attach leg clips to legs.

Tighten all hardware.



(End)