



Profit from the Eagle Advantage®

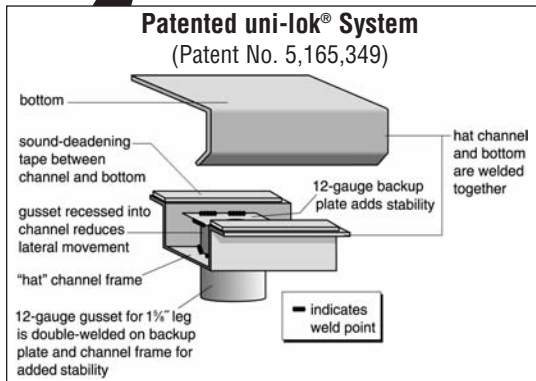
# Specification Sheet

## Short Form Specifications

Eagle Spec-Master® Enclosed Base Worktable, model \_\_\_\_\_ . Top is 14/304 stainless steel, sides and back are heavy gauge stainless steel. (Open Front, Stainless Steel Sliding Door, or Stainless Steel Hinged Door) models with 1½" rolled edge on front, sides turned down, and rear turned up 1½". Constructed with uni-lok® patented gusset system, with the gussets recessed into the hat channels to reduce lateral movement. 1½" O.D. stainless steel tubular legs with adjustable bullet feet.



enclosed worktable with open front



Item No.: \_\_\_\_\_  
 Project No.: \_\_\_\_\_  
 S.I.S. No.: \_\_\_\_\_

## Spec-Master® Enclosed Worktables with Upturn

### MODELS:

- |                                     |                                     |                                      |
|-------------------------------------|-------------------------------------|--------------------------------------|
| <input type="checkbox"/> UOB2436SE  | <input type="checkbox"/> UCB2436SE  | <input type="checkbox"/> UCBH2436SE  |
| <input type="checkbox"/> UOB2448SE  | <input type="checkbox"/> UCB2448SE  | <input type="checkbox"/> UCBH2448SE  |
| <input type="checkbox"/> UOB2460SE  | <input type="checkbox"/> UCB2460SE  | <input type="checkbox"/> UCBH2460SE  |
| <input type="checkbox"/> UOB2472SE  | <input type="checkbox"/> UCB2472SE  | <input type="checkbox"/> UCBH2472SE  |
| <input type="checkbox"/> UOB2484SE  | <input type="checkbox"/> UCB2484SE  | <input type="checkbox"/> UCBH2484SE  |
| <input type="checkbox"/> UOB2496SE  | <input type="checkbox"/> UCB2496SE  | <input type="checkbox"/> UCBH2496SE  |
| <input type="checkbox"/> UOB24120SE | <input type="checkbox"/> UCB24120SE | <input type="checkbox"/> UCBH24120SE |
| <input type="checkbox"/> UOB3036SE  | <input type="checkbox"/> UCB3036SE  | <input type="checkbox"/> UCBH3036SE  |
| <input type="checkbox"/> UOB3048SE  | <input type="checkbox"/> UCB3048SE  | <input type="checkbox"/> UCBH3048SE  |
| <input type="checkbox"/> UOB3060SE  | <input type="checkbox"/> UCB3060SE  | <input type="checkbox"/> UCBH3060SE  |
| <input type="checkbox"/> UOB3072SE  | <input type="checkbox"/> UCB3072SE  | <input type="checkbox"/> UCBH3072SE  |
| <input type="checkbox"/> UOB3084SE  | <input type="checkbox"/> UCB3084SE  | <input type="checkbox"/> UCBH3084SE  |
| <input type="checkbox"/> UOB3096SE  | <input type="checkbox"/> UCB3096SE  | <input type="checkbox"/> UCBH3096SE  |
| <input type="checkbox"/> UOB30120SE | <input type="checkbox"/> UCB30120SE | <input type="checkbox"/> UCBH30120SE |

### Features

- All-welded design.
- Available with open front, sliding doors, or hinged doors.
- Doors are 20 gauge type 430 stainless steel.
- Top mechanically polished to satin finish.
- Top is 14 gauge type 304 stainless steel reinforced with a full length "hat" channel support.
- Body is heavy gauge type 430 stainless steel.
- Sound-deadened between top and frame.
- 1½" (42mm)-diameter type 304 stainless legs.
- 1" (25mm) adjustable stainless steel feet.
- 1½" (38mm) sanitary rolled rim on front.
- 1½" (38mm) upturn on rear.
- Square edge on ends for flush fit.
- Optional fixed center shelf available. To order, add suffix "-CS" to model number. Example: UOB2436SE-CS

### Options / Accessories

- Lock (for units with doors)
- Casters\*
- Overshelf
- Center shelf

\* To order table with 4" (102mm)-diameter casters, add suffix "-CA" (ex: UOB3036SE-CA). To order table with 5" (127mm)-diameter casters, add suffix "-CAH" (ex: UCBH3048SE-CAH).

**EAGLE GROUP**  
 100 Industrial Boulevard, Clayton, DE 19938-8903 USA  
 Phone: 302-653-3000 • Fax: 302-653-2065  
 www.eaglegrp.com

**Foodservice Division: Phone 800-441-8440**  
**MHC/Retail Display Divisions: Phone 800-637-5100**

For custom configuration or fabrication needs, contact our **SpecFAB® Division**.  
 Phone: 302-653-3000 • Fax: 302-653-3091 • e-mail: specfab@eaglegrp.com

### Certifications / Approvals



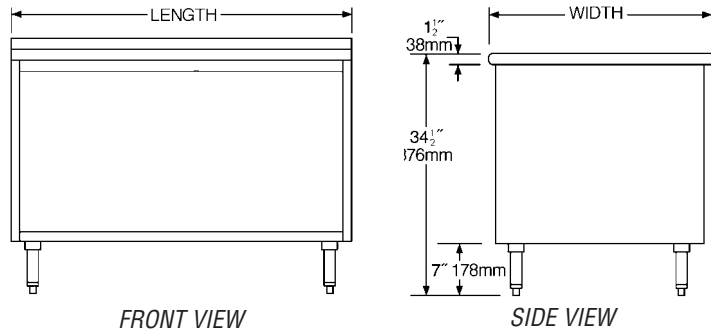
EG10.31 Rev. 11/08

Spec sheets available for viewing, printing or downloading from our online literature library at [www.eaglegrp.com](http://www.eaglegrp.com)



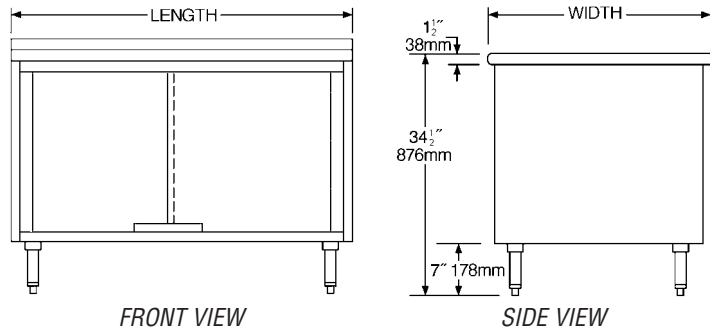
Item No.: \_\_\_\_\_  
 Project No.: \_\_\_\_\_  
 S.I.S. No.: \_\_\_\_\_

### Spec-Master® Enclosed Worktables with Open Front



model #	width		length		weight	
	in.	mm	in.	mm	lbs.	kg
UOB2436SE	24"	610	36"	914	132	59.9
UOB2448SE	24"	610	48"	1219	160	72.6
UOB2460SE	24"	610	60"	1524	200	90.7
UOB2472SE	24"	610	72"	1829	240	108.9
UOB2484SE	24"	610	84"	2134	281	127.5
UOB2496SE	24"	610	96"	2438	322	146.1
UOB24120SE	24"	610	120"	3048	366	166.0
UOB3036SE	30"	762	36"	914	136	61.7
UOB3048SE	30"	762	48"	1219	166	75.3
UOB3060SE	30"	762	60"	1524	199	90.3
UOB3072SE	30"	762	72"	1829	248	112.5
UOB3084SE	30"	762	84"	2134	294	133.4
UOB3096SE	30"	762	96"	2438	340	154.2
UOB30120SE	30"	762	120"	3048	432	196.0

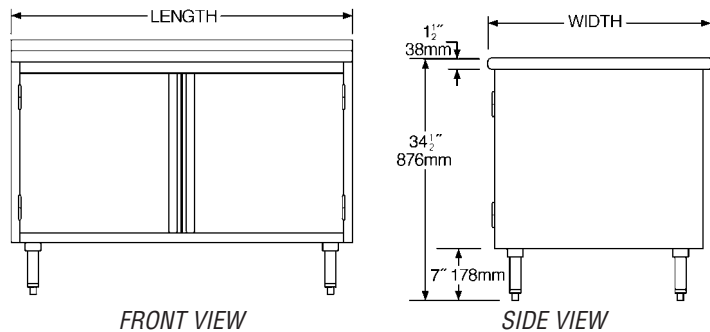
### Spec-Master® Enclosed Worktables with Sliding Doors



model #	width		length		weight	
	in.	mm	in.	mm	lbs.	kg
UCB2436SE	24"	610	36"	914	138	62.6
UCB2448SE	24"	610	48"	1219	170	77.1
UCB2460SE	24"	610	60"	1524	212	96.2
UCB2472SE	24"	610	72"	1829	254	115.2
UCB2484SE*	24"	610	84"	2134	299	135.6
UCB2496SE*	24"	610	96"	2438	339	153.8
UCB24120SE*	24"	610	120"	3048	384	174.2
UCB3036SE	30"	762	36"	914	142	64.4
UCB3048SE	30"	762	48"	1219	173	78.5
UCB3060SE	30"	762	60"	1524	219	99.3
UCB3072SE	30"	762	72"	1829	261	118.4
UCB3084SE*	30"	762	84"	2134	312	141.5
UCB3096SE*	30"	762	96"	2438	350	158.8
UCB30120SE*	30"	762	120"	3048	450	204.1

\* Note: Worktables 84" (2134mm) and longer have two sets of doors.

### Spec-Master® Enclosed Worktables with Hinged Doors



model #	width		length		weight	
	in.	mm	in.	mm	lbs.	kg
UCBH2436SE	24"	610	36"	914	138	62.6
UCBH2448SE	24"	610	48"	1219	170	77.1
UCBH2460SE	24"	610	60"	1524	212	96.2
UCBH2472SE	24"	610	72"	1829	254	115.2
UCBH2484SE*	24"	610	84"	2134	299	135.6
UCBH2496SE*	24"	610	96"	2438	339	153.8
UCBH24120SE*	24"	610	120"	3048	384	174.2
UCBH3036SE	30"	762	36"	914	142	64.4
UCBH3048SE	30"	762	48"	1219	173	78.5
UCBH3060SE	30"	762	60"	1524	219	99.3
UCBH3072SE	30"	762	72"	1829	261	118.4
UCBH3084SE*	30"	762	84"	2134	312	141.5
UCBH3096SE*	30"	762	96"	2438	350	158.8
UCBH30120SE*	30"	762	120"	3048	450	204.1

\* Note: Worktables 84" (2134mm) and longer have two sets of doors.

**EAGLE GROUP**  
 100 Industrial Boulevard, Clayton, DE 19938-8903 USA  
 Phone: 302-653-3000 • Fax: 302-653-2065  
 www.eaglegrp.com

Foodservice Division: Phone 800-441-8440  
 MHC/Retail Display Divisions: Phone 800-637-5100

Printed in U.S.A.  
 ©2008 by Eagle Group

Rev. 11/08

Spec sheets available for viewing, printing or downloading from our online literature library at [www.eaglegrp.com](http://www.eaglegrp.com)

Although every attempt has been made to ensure the accuracy of the information provided, we cannot be held responsible for typographical or printing errors. Information and specifications are subject to change without notice. Please confirm at time of order.