



Profit from the Eagle Advantage®

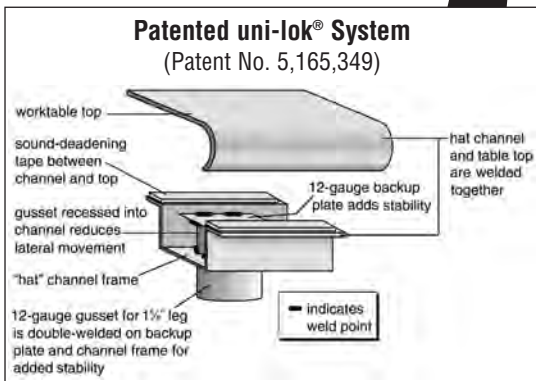
Specification Sheet

Short Form Specifications

Eagle worktables, Spec-Master® series, model _____.
 Top constructed of 14 gauge 300 series stainless steel with 1½" roll on front, 1½" rear upturn, and sides turned down 90°. Open front with 1¼" O.D. galvanized tubular crossbracing on sides and rear. Top reinforced with welded hat channels and sound deadened. Constructed with uni-lok® patented gusset system with the gussets recessed into the hat channels to reduce lateral movement. Legs are 1½" O.D. galvanized tubing with galvanized gussets and 1" hi-impact plastic bullet feet.



worktable with upturn and tubular base



EAGLE GROUP
 100 Industrial Boulevard, Clayton, DE 19938-8903 USA
 Phone: 302-653-3000 • Fax: 302-653-2065
 www.eaglegrp.com

Foodservice Division: Phone 800-441-8440
MHC/Retail Display Divisions: Phone 800-637-5100

For custom configuration or fabrication needs, contact our **SpecFAB® Division**.
 Phone: 302-653-3000 • Fax: 302-653-2065 • e-mail: quotes@eaglegrp.com

Spec sheets available for viewing, printing or downloading from our online literature library at www.eaglegrp.com

Eagle Foodservice Equipment, Eagle MHC, SpecFAB®, and Retail Display are divisions of Eagle Group. ©2015 by the Eagle Group

Item No.: _____
 Project No.: _____
 S.I.S. No.: _____

Worktables with Rear Upturn and Galvanized Tubular Base —Spec-Master® Series

MODELS:

- | | | | |
|------------------------------------|-------------------------------------|-------------------------------------|-------------------------------------|
| <input type="checkbox"/> UT2424GTE | <input type="checkbox"/> UT24108GTE | <input type="checkbox"/> UT3072GTE | <input type="checkbox"/> UT3660GTE |
| <input type="checkbox"/> UT2430GTE | <input type="checkbox"/> UT24120GTE | <input type="checkbox"/> UT3084GTE | <input type="checkbox"/> UT3672GTE |
| <input type="checkbox"/> UT2436GTE | <input type="checkbox"/> UT24132GTE | <input type="checkbox"/> UT3096GTE | <input type="checkbox"/> UT3684GTE |
| <input type="checkbox"/> UT2448GTE | <input type="checkbox"/> UT24144GTE | <input type="checkbox"/> UT30108GTE | <input type="checkbox"/> UT3696GTE |
| <input type="checkbox"/> UT2460GTE | <input type="checkbox"/> UT3030GTE | <input type="checkbox"/> UT30120GTE | <input type="checkbox"/> UT36108GTE |
| <input type="checkbox"/> UT2472GTE | <input type="checkbox"/> UT3036GTE | <input type="checkbox"/> UT30132GTE | <input type="checkbox"/> UT36120GTE |
| <input type="checkbox"/> UT2484GTE | <input type="checkbox"/> UT3048GTE | <input type="checkbox"/> UT30144GTE | <input type="checkbox"/> UT36132GTE |
| <input type="checkbox"/> UT2496GTE | <input type="checkbox"/> UT3060GTE | <input type="checkbox"/> UT3648GTE | <input type="checkbox"/> UT36144GTE |

Tabletop

- Top reinforced with welded-on hat channel.
- Sound-deadened between top and channels.
- 1½" (38mm) 90° rear upturn with radius at intersection.
- 1½" (38mm)-diameter 180° rolled edge on front. Ends are turned down 90°, providing for flush installations when required.
- 14 gauge 300 series polished stainless steel.

Crossbracing—1¼" (38mm)-diameter

- Heavy gauge, galvanized.
- Aluminum castings join rear and side crossbraces with legs.

Legs—1½" (41mm)-diameter

- Units 96" to 120" (2438 to 3048mm) long come with six legs; Units 132" and 144" (3353 and 3658mm) come with eight legs.
- Patented uni-lok® gusset system (patent #5,165,349) is recessed into channel, reducing lateral movement.
- Heavy gauge galvanized steel.
- Galvanized gussets.
- 1" (25mm) adjustable hi-impact plastic feet.

Options / Accessories

- | | |
|--|--|
| <input type="checkbox"/> Drawer | <input type="checkbox"/> Duplex receptacles |
| <input type="checkbox"/> Lock | <input type="checkbox"/> Pot rack |
| <input type="checkbox"/> Casters | <input type="checkbox"/> Sink |
| <input type="checkbox"/> Stainless steel bullet feet | <input type="checkbox"/> Additional undershelf |
| <input type="checkbox"/> Stainless steel gussets | <input type="checkbox"/> Stabilizer Bar (for 30"- and 36"-wide tables) |
| <input type="checkbox"/> Overshelves | |

Certifications / Approvals



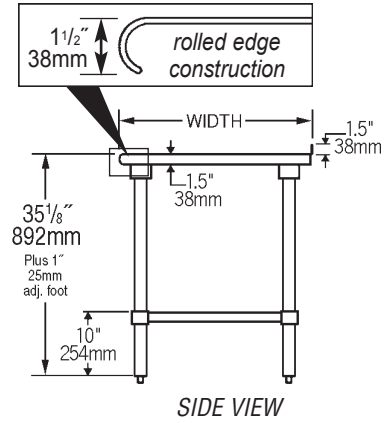
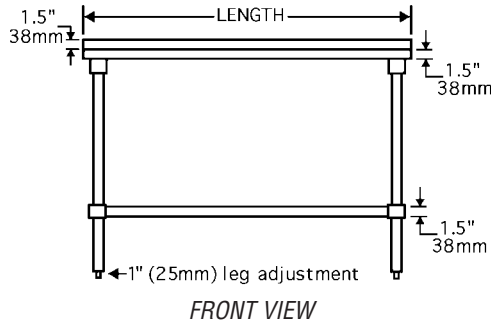
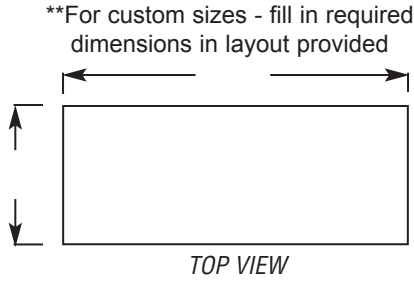
AUTOQUOTES





Item No.: _____
 Project No.: _____
 S.I.S. No.: _____

Worktables with Rear Upturn and Galvanized Tubular Base —Spec-Master® Series



model #	# of legs	width		length		weight	
		in.	mm	in.	mm	lbs.	kg
UT2424GTE	4	24"	610	24"	610	44	20.0
UT2430GTE	4	24"	610	30"	762	50	22.7
UT2436GTE	4	24"	610	36"	914	55	24.9
UT2448GTE	4	24"	610	48"	1219	66	29.9
UT2460GTE	4	24"	610	60"	1524	77	34.9
UT2472GTE	4	24"	610	72"	1829	88	39.9
UT2484GTE	4	24"	610	84"	2134	99	44.9
UT2496GTE	6	24"	610	96"	2438	110	49.9
UT24108GTE	6	24"	610	108"	2743	121	54.9
UT24120GTE	6	24"	610	120"	3048	132	59.9
UT24132GTE	8	24"	610	132"	3353	143	64.9
UT24144GTE	8	24"	610	144"	3658	154	69.9
UT3030GTE	4	30"	762	30"	762	55	24.9
UT3036GTE	4	30"	762	36"	914	58	26.3
UT3048GTE	4	30"	762	48"	1219	63	28.6
UT3060GTE	4	30"	762	60"	1524	74	33.6
UT3072GTE	4	30"	762	72"	1829	85	38.6
UT3084GTE	4	30"	762	84"	2134	96	43.6
UT3096GTE	6	30"	762	96"	2438	107	48.5
UT30108GTE	6	30"	762	108"	2743	130	59.0
UT30120GTE	6	30"	762	120"	3048	129	58.5
UT30132GTE	8	30"	762	132"	3353	140	63.5
UT30144GTE	8	30"	762	144"	3658	151	68.5
UT3648GTE	4	36"	914	48"	1219	67	30.4
UT3660GTE	4	36"	914	60"	1524	79	35.8
UT3672GTE	4	36"	914	72"	1829	94	42.6
UT3684GTE	4	36"	914	84"	2134	107	48.5
UT3696GTE	6	36"	914	96"	2438	120	54.4
UT36108GTE	6	36"	914	108"	2743	133	60.3
UT36120GTE	6	36"	914	120"	3048	146	66.2
UT36132GTE	8	36"	914	132"	3353	160	72.6
UT36144GTE	8	36"	914	144"	3658	173	78.5

EAGLE GROUP
 100 Industrial Boulevard, Clayton, DE 19938-8903 USA
 Phone: 302-653-3000 • Fax: 302-653-2065
 www.eaglegrp.com

Foodservice Division: Phone 800-441-8440
 MHC/Retail Display Divisions: Phone 800-637-5100

Printed in U.S.A.
 ©2015 by Eagle Group
 Rev. 06/15

Spec sheets available for viewing, printing or downloading from our online literature library at www.eaglegrp.com

Although every attempt has been made to ensure the accuracy of the information provided, we cannot be held responsible for typographical or printing errors. Information and specifications are subject to change without notice. Please confirm at time of order.