



Profit from the Eagle Advantage®

# Specification Sheet

## Short Form Specifications

Overall dimensions of 29¼" wide x 52¾" long x 71¾" tall, with dolly base with 6"-diameter plate casters. Three chrome plated wire shelves, 24" wide x 48" long, mounted to dolly base and includes enclosure panels on each end.



cassette transfer cart

## Options / Accessories

- Additional chrome wire shelf
- Shelf divider
- Plastic shelf marker
- 1" (25mm) ledge
- 4" (102mm) ledge

## EAGLE GROUP

100 Industrial Boulevard, Clayton, DE 19938-8903 USA

Phone: 302-653-3000 • Fax: 302-653-2065

www.eaglegrp.com

Foodservice Division: Phone 800-441-8440

MHC/Retail Display Divisions: Phone 800-637-5100

For custom configuration or fabrication needs, contact our SpecFAB® Division.

Phone: 302-653-3000 • Fax: 302-653-3091 • e-mail: specfab@eaglegrp.com

Item No.:	_____
Project No.:	_____
S.I.S. No.:	_____

## Cassette Transfer Cart

### MODELS:

- CTC2448C

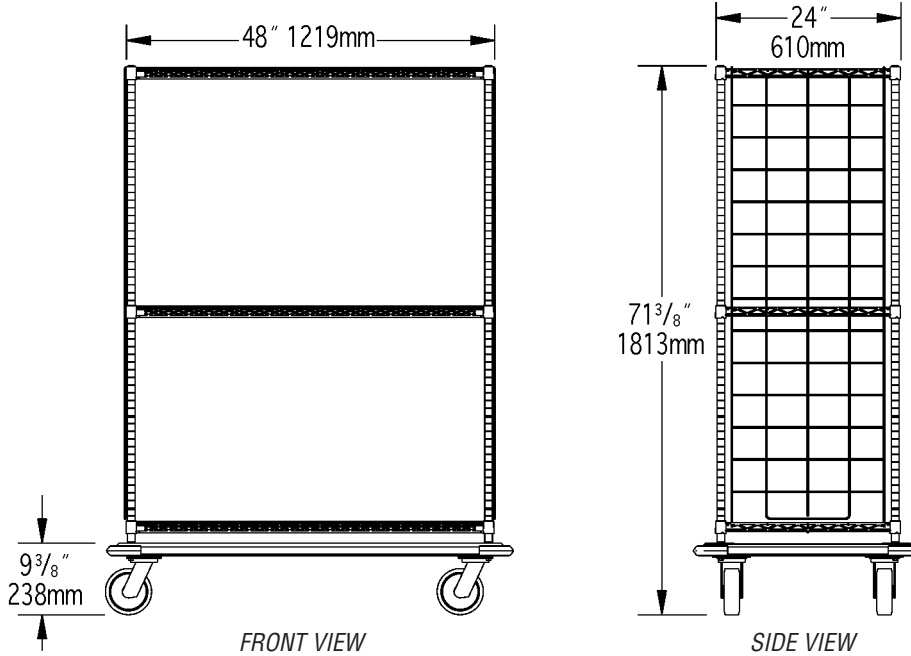
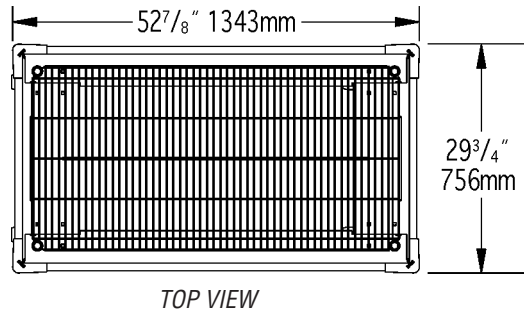
### Design and Construction Features

- Patented QuadTruss® design (patent #5,390,803) makes shelves up to 25% stronger and provides a retaining ledge for increased storage stability and product retention.
- Ideal for transport for any hospital with a unit dose medication system; up to eight cassettes, in a variety of sizes, can be stored on the cart.
- Cart has safety edges, free of bacteria-gathering crevices.
- Dolly frame with wraparound bumper features 6" (152mm) casters for mobility.
- Three 24" x 48" (610 x 1219mm) chrome-plated wire shelves mounted to dolly base.
- Enclosure panels provided to help transport cassettes safely.
- Overall dimensions are 29¼" deep, 52¾" long, and 71¾" tall (756, 1343, and 1813mm); other sizes and combinations available. Consult your customer service representative.



Item No.: \_\_\_\_\_  
 Project No.: \_\_\_\_\_  
 S.I.S. No.: \_\_\_\_\_

# Cassette Transfer Cart



model #	shelf width		shelf length		dolly width		dolly length		overall height		weight	
	in.	mm	in.	mm	in.	mm	in.	mm	in.	mm	lbs.	kg
CTC2448C	24"	610	48"	1219	29 3/4"	756	52 7/8"	1343	71 3/8"	1813	120	54.4

**EAGLE GROUP**  
 100 Industrial Boulevard, Clayton, DE 19938-8903 USA  
 Phone: 302-653-3000 • Fax: 302-653-2065  
 www.eaglegrp.com

Foodservice Division: Phone 800-441-8440  
 MHC/Retail Display Divisions: Phone 800-637-5100

Printed in U.S.A.  
 ©2010 by Eagle Group  
 Rev. 07/10

Spec sheets available for viewing, printing or downloading from our online literature library at [www.eaglegrp.com](http://www.eaglegrp.com)

Although every attempt has been made to ensure the accuracy of the information provided, we cannot be held responsible for typographical or printing errors. Information and specifications are subject to change without notice. Please confirm at time of order.