



Profit from the Eagle Advantage®

Specification Sheet

Short Form Specifications

Eagle AdjusTable® Work Surface System with Wire Overshelf System, model _____. Heavy gauge (brushed, electropolished) stainless steel top with choice of base combination: one wire undershelf and one C-frame or H-frame, or two C-frames or H-frames. Two 14"-wide (chrome, stainless steel) wire overshelves. Two 33" front posts, two 63" rear posts, and two 29" front posts for wire overshelves. Wire undershelves and overshelves feature patented QuadTruss® design.



AdjusTable® with Wire Overshelf System and C-frame bases

Options / Accessories

- Drawers
- Lock
- Casters
- Utility drawers**
- Keyboard stations**
- Additional undershelves

** See spec sheet #EG04.04A for these options.

EAGLE GROUP

100 Industrial Boulevard, Clayton, DE 19938-8903 USA

Phone: 302-653-3000 • Fax: 302-653-2065

www.eaglegrp.com

Foodservice Division: Phone 800-441-8440

MHC/Retail Display Divisions: Phone 800-637-5100

For custom configuration or fabrication needs, contact our SpecFAB® Division.

Phone: 302-653-3000 • Fax: 302-653-2065 • e-mail: quotes@eaglegrp.com

Item No.: _____
 Project No.: _____
 S.I.S. No.: _____

AdjusTable® Work Surface System with Wire Overshelf System

MODELS:

- W*2436T-2
- W*2448T-2
- W*2460T-2
- W*3036T-2
- W*3048T-2
- W*3060T-2
- W*3636T-2
- W*3648T-2
- W*3660T-2

* See chart on back page for complete model numbers.

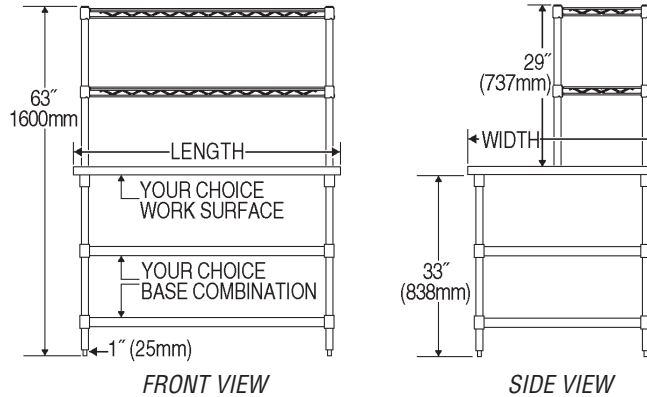
- Stainless steel work surface available in solid or perforated, with brushed or electropolished finish.
- All work surface tabletops feature hat channel underneath for added strength.
- Two 33" (838mm) front posts.
- Two 63" (1600mm) rear posts.
- Two 29" (737mm) front posts for wire overshelves.
- All posts are numbered in 1" (25mm) increments for flexible and level positioning of the base that you choose. Available in chrome or stainless steel finish.
- Two 14" (356mm)-wide chrome or stainless steel wire overshelves mount to rear posts and to 29" (737mm) posts.
- Base combination available with or without wire undershelf, with chrome or stainless steel H-frame(s) or C-frame(s).
- An almost unlimited number of custom configurations can be created by adding undershelves.
- 34½" (876mm) working height.



Item No.: _____
 Project No.: _____
 S.I.S. No.: _____

Adjustable® Work Surface System with Wire Overshelf System

To order, choose a work surface (Step 1), then choose a base combination (Step 2). Work surface of your choice is combined with two 33" (838mm) posts, two 63" (1600mm) posts, two 29" (737mm) posts, two 14" (914mm) wide wire overshelves, and the base combination of your choice.



Step 1) Select work surface.

Choose from the following:

WOAC Series – 16 gauge type 304 brushed stainless steel top with chrome base.

WOAS Series – 16 gauge type 304 brushed stainless steel top with stainless steel base.

WOAP* Series – 14 gauge type 304 brushed stainless steel top with 3/4" (19mm) perforations on 1" (25mm) centers with stainless steel base.

WOAEP Series – Electropolished solid top with stainless steel base.

WOAPEP* Series – Electropolished perforated top with stainless steel base.

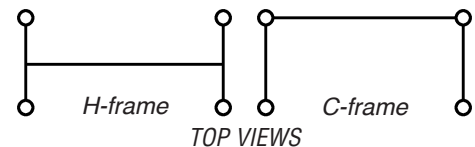
WOAC Series	WOAS Series	WOAP* Series	WOAEP Series	WOAPEP* Series	width x length in.	width x length mm	weight lb.	weight kg
WOAC2436T-2	WOAS2436T-2	WOAP2436T-2	WOAEP2436T-2	WOAPEP2436T-2	24" x 36"	610 x 914	65	29.5
WOAC2448T-2	WOAS2448T-2	WOAP2448T-2	WOAEP2448T-2	WOAPEP2448T-2	24" x 48"	610 x 1219	81	36.7
WOAC2460T-2	WOAS2460T-2	WOAP2460T-2	WOAEP2460T-2	WOAPEP2460T-2	24" x 60"	610 x 1524	97	44.0
WOAC3036T-2	WOAS3036T-2	WOAP3036T-2	WOAEP3036T-2	WOAPEP3036T-2	30" x 36"	762 x 914	75	34.0
WOAC3048T-2	WOAS3048T-2	WOAP3048T-2	WOAEP3048T-2	WOAPEP3048T-2	30" x 48"	762 x 1219	94	42.6
WOAC3060T-2	WOAS3060T-2	WOAP3060T-2	WOAEP3060T-2	WOAPEP3060T-2	30" x 60"	762 x 1524	113	51.3
WOAC3636T-2	WOAS3636T-2	WOAP3636T-2	WOAEP3636T-2	WOAPEP3636T-2	36" x 36"	914 x 914	85	38.6
WOAC3648T-2	WOAS3648T-2	WOAP3648T-2	WOAEP3648T-2	WOAPEP3648T-2	36" x 48"	914 x 1219	108	49.0
WOAC3660T-2	WOAS3660T-2	WOAP3660T-2	WOAEP3660T-2	WOAPEP3660T-2	36" x 60"	914 x 1524	131	59.4

* Note: For perforated tops, laminar air flow is 23-25% depending on size.

Step 2) Select base combination.

Must be specified with your choice of work surface. Choose from the following:

- Base with two C-frames.
- Base with one C-frame and one wire shelf.
- Base with two H-frames.
- Base with one H-frame and one wire shelf.



EAGLE GROUP

100 Industrial Boulevard, Clayton, DE 19938-8903 USA

Phone: 302-653-3000 • Fax: 302-653-2065 • www.eaglegrp.com

Foodservice Division: Phone 800-441-8440

MHC/Retail Display Divisions: Phone 800-637-5100

Printed in U.S.A.
 ©2014 by Eagle Group

Rev. 07/14

Spec sheets available for viewing, printing or downloading from our online literature library at www.eaglegrp.com

Although every attempt has been made to ensure the accuracy of the information provided, we cannot be held responsible for typographical or printing errors. Information and specifications are subject to change without notice. Please confirm at time of order.