



Profit from the Eagle Advantage®

Specification Sheet

Short Form Specifications

1½" welded tube frame is shipped knocked-down and bolted together with cross members. Electropolished or brushed 300 series stainless steel. Available with or without domed cap that secures hangers to hanger rail, preventing hanger removal. Nylon dissipative feet standard. Hanger slots are standard on 3" centers, with other spacing available. Hangers not included.



(hangers shown above not included)

Options / Accessories

- Hangers
- Foot plates
- Other hanger slot spacing

EAGLE GROUP

100 Industrial Boulevard, Clayton, DE 19938-8903 USA

Phone: 302-653-3000 • Fax: 302-653-2065

www.eaglegrp.com

Foodservice Division: Phone 800-441-8440

MHC/Retail Display Divisions: Phone 800-637-5100

For custom configuration or fabrication needs, contact our SpecFAB® Division.

Phone: 302-653-3000 • Fax: 302-653-2065 • e-mail: quotes@eaglegrp.com

Item No.: _____
 Project No.: _____
 S.I.S. No.: _____

Freestanding Gowning Racks with Hanger Rail

MODELS:

- S2448* S2472* EP2448* EP2472*
- S2460* S2484* EP2460* EP2484*

* See charts on back for complete model numbers.

Design and Construction Features

- 14 gauge hanger rails with hanger slots spaced on standard 3" (76mm) centers. Slots designed to retain gowns in a fixed position by allowing the hangers (not included) to swing front-to-back but not left-to-right, while the shape facilitates a smoother laminar flow than many square hanger rails.
- Vertical supports are constructed of heavy gauge type 304 stainless steel 1½" (38mm) square tubing, fully welded, ground and polished to its original finish. Each unit is supplied with four adjustable feet that are constructed to dissipate a static charge.
- Horizontal supports are bolted to vertical uprights using stainless steel bolts. Constructed of 1" (25mm) O.D. type 304 stainless steel tubing with heavy gauge stainless steel backing plate. The bolts are covered with a stainless steel cap to eliminate any crevasses in which dust might settle.
- Hanger rail is constructed of heavy gauge type 304 stainless steel with hanger slots located every 3" (76mm) along the length of the rail. Other spacing available (see back page).
- Standard 2" (51mm)-diameter, nylon dissipative feet with ½" (13mm) adjustability. Optional foot plates available to affix gowning rack to the floor.
- Available with non-removable hanger construction— A domed cap over the hanger rail secures hangers (not included) and prevents removal.
- Finishes available are 304 series stainless steel with #4 satin or electropolished finish.
- Single, dual, and cantilever styles available.
- Shipped knocked-down, saving in freight costs and damages.



Profit from the Eagle Advantage®

Item No.: _____
 Project No.: _____
 S.I.S. No.: _____

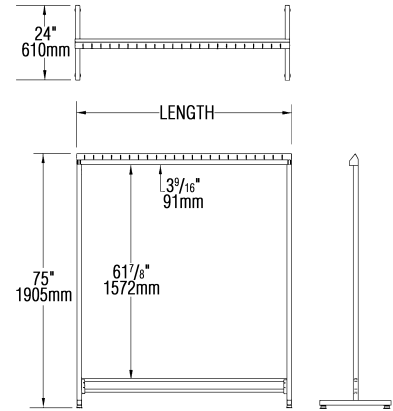
Freestanding Gowning Racks with Hanger Rail

Single Gowning Racks

stainless steel model #	electropolished model #	width in.	width mm	length in.	length mm	weight lbs.	weight kg	number of hanger slots
S2448-S*	EP2448-S*	24"	610	48"	1219	40	18.1	15
S2460-S*	EP2460-S*	24"	610	60"	1524	45	20.4	19
S2472-S*	EP2472-S*	24"	610	72"	1829	50	22.7	23
S2484-S*	EP2484-S*	24"	610	84"	2134	55	24.9	27

Number of Hanger Slots on Optional Spacing for Single Gowning Racks

unit length in.	unit length mm	on 1 1/2" (38mm) centers	on 2" (51mm) centers	on 2 1/2" (64mm) centers
48"	1219	29	22	17
60"	1524	37	28	22
72"	1829	45	34	27
84"	2134	53	40	32

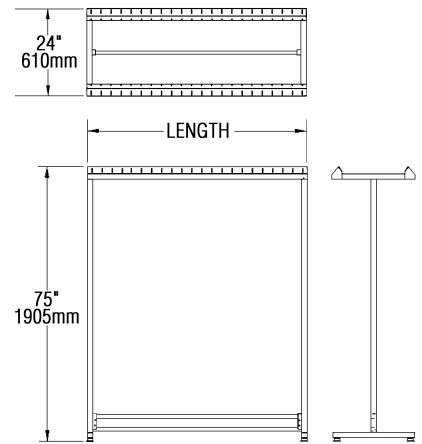


Double Gowning Racks

stainless steel model #	electropolished model #	width in.	width mm	length in.	length mm	weight lbs.	weight kg	number of hanger slots
S2448-D*	EP2448-D*	24"	610	48"	1219	59	26.7	32
S2460-D*	EP2460-D*	24"	610	60"	1524	68	30.8	40
S2472-D*	EP2472-D*	24"	610	72"	1829	77	34.9	48
S2484-D*	EP2484-D*	24"	610	84"	2134	86	39.0	56

Number of Hanger Slots on Optional Spacing for Double Gowning Racks

unit length in.	unit length mm	on 1 1/2" (38mm) centers	on 2" (51mm) centers	on 2 1/2" (64mm) centers
48"	1219	60	46	36
60"	1524	76	58	46
72"	1829	92	70	56
84"	2134	108	82	66

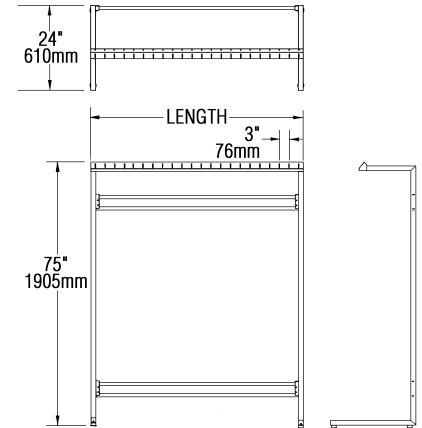


Cantilever Gowning Racks

stainless steel model #	electropolished model #	width in.	width mm	length in.	length mm	weight lbs.	weight kg	number of hanger slots
S2448-C*	EP2448-C*	24"	610	48"	1219	45	20.4	16
S2460-C*	EP2460-C*	24"	610	60"	1524	50	22.7	20
S2472-C*	EP2472-C*	24"	610	72"	1829	55	24.9	24
S2484-C*	EP2484-C*	24"	610	84"	2134	60	27.2	28

Number of Hanger Slots on Optional Spacing for Cantilever Gowning Racks

unit length in.	unit length mm	on 1 1/2" (38mm) centers	on 2" (51mm) centers	on 2 1/2" (64mm) centers
48"	1219	30	23	18
60"	1524	38	29	23
72"	1829	46	35	28
84"	2134	54	41	33



* For Gowning Racks facilitating hangers (sold separately) to be non-removable, add suffix "GRN" to the model number. Example: S2448-SGRN.
 For Gowning Racks facilitating hangers (sold separately) to be removable, add suffix "GRR" to the model number. Example: EP2448-DGRR

EAGLE GROUP
 100 Industrial Boulevard, Clayton, DE 19938-8903 USA
 Phone: 302-653-3000 • Fax: 302-653-2065
 www.eaglegrp.com

Foodservice Division: Phone 800-441-8440
 MHC/Retail Display Divisions: Phone 800-637-5100

Printed in U.S.A.
 ©2016 by Eagle Group
 Rev. 02/16

Spec sheets available for viewing, printing or downloading from our online literature library at www.eaglegrp.com

Although every attempt has been made to ensure the accuracy of the information provided, we cannot be held responsible for typographical or printing errors. Information and specifications are subject to change without notice. Please confirm at time of order.