

EAGLE GROUP Hand Sinks
got soap?



EAGLE
GROUP
Profit from the Eagle Advantage®

Eagle Hand Sinks

Hand-transmission is a critical factor in the spread of bacteria, pathogens and viruses which cause disease and foodborne illness. Foodborne illness kills over 3,000 people each year. Over 65% of all outbreaks originate in foodservice operations and as many as 38% are the result of poor hand washing and cross-contamination.

—Sources: Center for Disease Control, Food & Drug Administration

Eagle offers many different styles of hand sinks to help control the spread of foodborne illness.

Over 40 models including...

...Traditional:



Includes "the industry standard" – the HSA-10-F

...Hand Sinks with Standard Towel & Soap Dispenser:



Modeled after our Traditional Hand Sinks, but come standard with C-fold towel dispenser and soap dispenser

...Valve-Operated:



Great for hospitals, "hands free" operation for less contamination

...Electronic:



Sensor-activated faucet conserves water; electronic "eye" soap dispenser minimizes cross-contamination between soap & water dispenser

...Space Savers:



Designed for maximum space efficiency – only 12" from side to side!

HFL-5000 Touch-Free Handwashing Systems

- Eagle hand sink with MICROGARD® antimicrobial protection.
- Kimberly-Clark touchless towel dispenser. Eagle part #377454. Use Kleenex #50606 or Scott #02000 towel roll.
- T&S electronic eye faucet, splash mounted with battery-saving hydrogenerator power source. A LEED-friendly combination with the flow of water creating its own power source. Eagle part #369865.
- Purell/LTX hand sanitizing dispenser. Eagle part #377455.
- Gojo/LTX hand soap dispenser. Eagle part #377456.
- FoodHandler glove rack with single service gloves. Model #11-0012. Eagle part #352855.
- Tucel soft bristle white nail brush. Model #1832. Eagle part #348602.

Description of hand sink included	Model #
with waste receptacle	HFL-5000
with skirt (no waste receptacle)	HFL-5000-S
with waste receptacle and end splashes	HFL-5000-LRS



Optional MICROGARD® for Hand Sinks

- MICROGARD® is an antimicrobial agent which contains built-in protection to retard the growth of a broad range of bacteria, mold and mildew on the surface that cause stains, odors and degradation.
- MICROGARD® combines inorganic antimicrobial silver ions with a patented delivery system. The patented delivery system triggers the release of silver ions which react with bacteria in three ways:
 - 1) suffocates the cell,
 - 2) stops the cell reproduction system,
 - 3) stops the cell from growing.
- MICROGARD® is a second line of defense. In keeping with good hygiene practices, clean this product as usual. The protection will not wash out, while organic bactericides may.*
- Note: To clean, use mild soap and water, rinse, and wipe entire surface dry. Soft non-abrasive cleaners may be used when necessary. Strong abrasive cleaners will scratch and dull the surface.
- MICROGARD® is applied onto top and underside of sink deck, backsplash, and inside & outside of sink bowl (excludes faucets, drains, towel/soap dispensers, waste receptacle, skirt, pedal valves, and nail brush holder).

To order MICROGARD® on Hand Sinks:
Add suffix **"-MG"** to model number.
Example: HSA-10-F-MG

* MICROGARD® does not protect users or others against bacteria, viruses, germs or other disease organisms. Always clean this product thoroughly after each use.



Traditional Hand Sinks

These units are wall mounted and come with basket drain or lever drain, and “Z” wall mount bracket. Basket drain and lever drain come with crumb cup. Most of these units have accessories as standard components.



HSA-10*
Basic hand sink

- Comes standard with:
- Holes punched 4” apart for splash mount faucet (not included)
 - 1½” Basket Drain

Bowl Size: 9¼”W x 13½”L x 6¼”D
Overall Size: 14¾”W x 18½”L x 12½”H



HSA-10-F*
The industry standard

- Comes standard with:
- Splash Mount Gooseneck Faucet
 - 1½” Basket Drain

Bowl Size: 9¼”W x 13½”L x 6¼”D
Overall Size: 14¾”W x 18½”L x 12½”H



HSA-10-FA*

- Comes standard with:
- Splash Mount Gooseneck Faucet
 - P-trap and Tail Piece
 - 1½” Basket Drain

Bowl Size: 9¼”W x 13½”L x 6¼”D
Overall Size: 14¾”W x 18½”L x 12½”H

**W = front to back; L = side to side; D = depth of sink bowl;
H = top of backsplash to bottom of sink bowl**



HSA-10-FAW*

- Comes standard with:
- Splash Mount Gooseneck Faucet with Wrist Handles
 - P-trap and Tail Piece
 - 1½” Basket Drain

Bowl Size: 9¼”W x 13½”L x 6¼”D
Overall Size: 14¾”W x 18½”L x 12½”H



HSA-10-FL

- Comes standard with:
- Splash Mount Gooseneck Faucet
 - 1½” Polymer Lever Drain

Bowl Size: 10”W x 14”L x 5”D
Overall Size: 14¾”W x 18½”L x 12½”H



HSA-10-FO

- Comes standard with:
- Splash Mount Gooseneck Faucet
 - 1½” Polymer Lever Drain
 - Overflow

Bowl Size: 10”W x 14”L x 5”D
Overall Size: 14¾”W x 18½”L x 12½”H

*MICROGARD® available for these hand sinks. See page 2 for details.

Electronic Hand Sinks – AC Power



AC Power: Electronic “eye” sensor beam (adjustable from 3” to 12”) activates water flow. Requires 120-volt, 15-amp electric. 120-volt adapter included. All units come with #342938 Y-inlet non-adjustable mixing valve. For regulating water temperature, #326015 temperature adjustment valve is required. See page 11.

All units except #HSA-10-FA-PE come with “Z” wall mount bracket. All drains come with crumb cup.



HSA-10-FE*

Comes standard with:

- Splash Mount Gooseneck Spout
- Electric Eye/Sensor Beam Operation
- 1½” Basket Drain

Bowl Size: 9¼”W x 13½”L x 6¼”D
Overall Size: 14¼”W x 18½”L x 12½”H



HSA-10-FOE

Comes standard with:

- Splash Mount Gooseneck Spout
- Electric Eye/Sensor Beam Operation
- 1½” Polymer Lever Drain
- Overflow

Bowl Size: 10”W x 14”L x 5”D
Overall Size: 14¼”W x 18½”L x 12½”H



HSA-10-FA-PE*

Comes standard with:

- Splash Mount Gooseneck Spout
- Electric Eye/Sensor Beam Operation
- Soap Dispenser
- P-Trap and Tail Piece
- 1½” Basket Drain

Bowl Size: 9¼”W x 13½”L x 6¼”D
Overall Size: 14¼”W x 18½”L x 40¼”H

**W = front to back; L = side to side; D = depth of sink bowl;
H = top of backsplash to bottom of sink bowl or pedestal**



HSA-10-FDPE*

Comes standard with:

- Splash Mount Gooseneck Spout
- Electric Eye/Sensor Beam Operation
- C-Fold Towel Dispenser
- Soap Dispenser
- 1½” Basket Drain

For optional waste receptacle, see page 11.

Bowl Size: 9¼”W x 13½”L x 6¼”D
Overall Size: 14¼”W x 19¼”L x 28¼”H



HSA-10-FODPE

Comes standard with:

- Splash Mount Gooseneck Spout
- Electric Eye/Sensor Beam Operation
- C-Fold Towel Dispenser
- Soap Dispenser
- 1½” Polymer Lever Drain
- Overflow

Bowl Size: 10”W x 14”L x 5”D
Overall Size: 14¼”W x 19¼”L x 28”H



HSA-10-FDPEE*

Comes standard with:

- Splash Mount Gooseneck Spout
- Electric Eye/Sensor Beam Operation
- C-Fold Towel Dispenser
- Electronic Soap Dispenser (requires 4 “D” batteries)
- 1½” Basket Drain

For optional waste receptacle, see page 11.

Bowl Size: 9¼”W x 13½”L x 6¼”D
Overall Size: 14¼”W x 19¼”L x 31¼”H

*MICROGARD® available for these hand sinks. See page 2 for details.

Electronic Hand Sinks – Battery Power



These sinks feature a battery-powered electronic-eye faucet which operates on four “AA” batteries (included). Also features a built-in “low battery” indicator light. All units come with #342938 Y-inlet non-adjustable mixing valve. For regulating water temperature, #326015 temperature adjustment valve is required. See page 11.



HSA-10-FE-B-DS*

Comes standard with:

- Battery-Powered Electronic-Eye Faucet
- Deck Mount Soap Dispenser
- 1½” Basket Drain

Bowl Size: 9¼”W x 13½”L x 6¼”D

Overall Size: 14⅞”W x 18⅞”L x 12½”H

(note: overall size does not include soap dispenser bottle)



HSAN-10-FE-B-DS

Comes standard with:

- Battery-Powered Electronic-Eye Faucet
- Deck Mount Soap Dispenser
- 1½” Basket Drain

Bowl Size: 13½”W x 9¼”L x 6¼”D

Overall Size: 17⅞”W x 12¼”L x 14¼”H

(note: overall size does not include soap dispenser bottle)



HSAP-14-ADA-FE-B

Comes standard with:

- Battery-Powered Electronic-Eye Faucet
- Deck Mount Soap Dispenser
- Front-Loading Towel Dispenser
- Skirt
- 1½” Basket Drain

Bowl Size: 16”W x 14”L x 5”D

Overall Size: 24”W x 22”L x 24½”H

**W = front to back; L = side to side; D = depth of sink bowl;
H = top of backsplash to bottom of bowl, skirting, or waste receptacle**



HSA-10-FE-B-NB-MG

Comes standard with:

- Battery-Powered Electronic-Eye Faucet
- Nail Brush and Nail Brush Holder
- Standard MICROGARD® Antimicrobial Protection
- 1½” Basket Drain

Bowl Size: 9¼”W x 13½”L x 6¼”D

Overall Size: 14⅞”W x 18⅞”L x 12½”H



*U.S. Patent
#5,732,422*

HSA-10-FE-B-T-NB-MG

Comes standard with:

- Battery-Powered Electronic-Eye Faucet
- Nail Brush and Nail Brush Holder
- Standard MICROGARD® Antimicrobial Protection
- Waste Receptacle & Skirt
- 1½” Basket Drain

Bowl Size: 9¼”W x 13½”L x 6¼”D

Overall Size: 14⅞”W x 18⅞”L x 29½”H



*U.S. Patent
#5,732,422*

HSA-10-FDPEE-B-T*

Comes standard with:

- Battery-Powered Electronic-Eye Faucet
- C-Fold Towel Dispenser
- Electronic Soap Dispenser (requires 4 size “D” batteries)
- 1½” Basket Drain
- Waste Receptacle & Skirt

Bowl Size: 9¼”W x 13½”L x 6¼”D

Overall Size: 14¼”W x 19¼”L x 47½”H

*MICROGARD® available for these hand sinks. See page 2 for details.

Hand Sinks with Standard Towel and/or Soap Dispensers



These wall mounted sinks come standard with towel dispenser designed to accommodate 4" x 10" C-fold disposable paper towels; and/or 16-oz. soap dispenser. "Z" wall mount bracket, drain and faucet also included. Basket drain and lever drain standard with crumb cup.



HSA-10-FDP*

- Comes standard with:
- Splash Mount
 - Gooseneck Faucet
 - C-Fold Towel Dispenser
 - Soap Dispenser
 - 1½" Basket Drain

Bowl Size: 9"W x 13½"L x 6"D
Overall Size: 14¾"W x 19"L x 28½"H



HSA-10-FDPS*

- Comes standard with:
- Splash Mount
 - Gooseneck Faucet
 - C-Fold Towel Dispenser
 - Soap Dispenser
 - 1½" Basket Drain
 - Skirt

Bowl Size: 9"W x 13½"L x 6"D
Overall Size: 14¾"W x 19"L x 30"H



HSA-10-FLDP

- Comes standard with:
- Splash Mount
 - Gooseneck Faucet
 - C-Fold Towel Dispenser
 - Soap Dispenser
 - 1½" Polymer Lever Drain

Bowl Size: 10"W x 14"L x 5"D
Overall Size: 14¾"W x 19"L x 28"H



HSA-10-FDPK

- Comes standard with:
- Splash Mount
 - Gooseneck Spout
 - Knee Pedals
 - C-Fold Towel Dispenser
 - Soap Dispenser
 - 1½" Basket Drain
 - Skirt

Bowl Size: 9"W x 13½"L x 6"D
Overall Size: 14¾"W x 19"L x 33"H

W = front to back; L = side to side; D = depth of sink bowl;
H = top of backsplash to bottom of bowl or skirt



HSA-10-FODP

- Comes standard with:
- Splash Mount Gooseneck Faucet
 - C-Fold Towel Dispenser
 - Soap Dispenser
 - 1½" Polymer Lever Drain
 - Overflow

Bowl Size: 10"W x 14"L x 5"D
Overall Size: 14¾"W x 19"L x 28"H



HSA-10-F-DS*

- Comes standard with:
- Splash Mount Gooseneck Faucet
 - Deck Mount Soap Dispenser
 - 1½" Basket Drain

Bowl Size: 9"W x 13½"L x 6"D
Overall Size: 14¾"W x 18"L x 12¾"H
(note: overall size does not include soap dispenser globe)



HSA-10-FWLDP-LRS

- Comes standard with:
- Splash Mount Gooseneck Faucet with Wrist Handles
 - C-Fold Towel Dispenser
 - Soap Dispenser
 - 1½" Polymer Lever Drain
 - Side Splashes

Bowl Size: 10"W x 14"L x 5"D
Overall Size: 14¾"W x 19"L x 28"H

*MICROGARD® available for these hand sinks. See page 2 for details.

Knee/Foot Valve Operated Hand Sinks NSF

"Hands-free" operation! All units feature splash mount gooseneck spout and basket drain with crumb cup. All sinks are available with MICROGARD®. See page 2 for more information.

Knee Valve operated

All units come with "Z" wall mount bracket.

(note: overall sizes do not include knee valves)



HSA-10-1FK

- Comes standard with:
- Splash Mount Gooseneck Spout
 - Single Knee Pedal
 - Skirt
 - 1½" Basket Drain

Bowl Size: 9¼"W x 13½"L x 6¼"D
Overall Size: 14¼"W x 18½"L x 17½"H



HSA-10-FK

- Comes standard with:
- Splash Mount Gooseneck Spout
 - Knee Pedals
 - Skirt
 - 1½" Basket Drain

Bowl Size: 9¼"W x 13½"L x 6¼"D
Overall Size: 14¼"W x 18½"L x 17½"H



HSA-10-FKP

- Comes standard with:
- Splash Mount Gooseneck Spout
 - Single Knee Valve Plate
 - Skirt
 - 1½" Basket Drain

Bowl Size: 9¼"W x 13½"L x 6¼"D
Overall Size: 14¼"W x 18½"L x 17½"H

Foot Valve operated



HSA-10-FA-1P

- Comes standard with:
- Splash Mount Gooseneck Spout
 - Single Foot Pedal Valve
 - P-Trap and Tail Piece
 - 1½" Basket Drain

Bowl Size: 9¼"W x 13½"L x 6¼"D
Overall Size: 14¼"W x 18½"L x 39¼"H



HSA-10-FA-P

- Comes standard with:
- Splash Mount Gooseneck Spout
 - Foot Pedal Valves
 - P-Trap and Tail Piece
 - 1½" Basket Drain

Bowl Size: 9¼"W x 13½"L x 6¼"D
Overall Size: 14¼"W x 18½"L x 39¼"H

W = front to back; L = side to side; D = depth of sink bowl; H = top of backsplash to bottom of bowl, knee valve bracket, or pedestal

Hand Sinks with Standard Wrist Handles NSF

Both units feature "Z" wall mount bracket and basket drain with crumb cup.

Sinks are available with MICROGARD®. See page 2 for details.



HSA-10-FW

- Comes standard with:
- Splash Mount Gooseneck Faucet with Wrist Handles
 - 1½" Basket Drain

Bowl Size: 9¼"W x 13½"L x 6¼"D
Overall Size: 14¼"W x 18½"L x 12¼"H



HSA-10-FAW

- Comes standard with:
- Splash Mount Gooseneck Faucet with Wrist Handles
 - P-trap and Tail Piece
 - 1½" Basket Drain

Bowl Size: 9¼"W x 13½"L x 6¼"D
Overall Size: 14¼"W x 18½"L x 12¼"H

Hand Sink with Tubular Wall Support NSF

Includes "Z" wall mount bracket and basket drain with crumb cup.

Available with MICROGARD®. See page 2 for details.



HSA-10-FTWS

- Comes standard with:
- Splash Mount Gooseneck Faucet
 - Tubular Wall Brackets
 - 1½" Basket Drain

Bowl Size: 9¼"W x 13½"L x 6¼"D
Overall Size: 14¼"W x 18½"L x 12¼"H

Special Purpose Hand Sinks

All units come standard with faucet (except where noted) and basket drain with crumb cup.

Standard

Same as HSA-10-F with exception of deck mount faucet



HSD-10-F

- Comes standard with:
- Deck Mount
 - Gooseneck Faucet
 - 1½" Basket Drain

Bowl Size:
9" W x 13" L x 6" D
Overall Size:
16½" W x 18" L x 14½" H

Economical



HSAE-10-FA

- Comes standard with:
- Deck Mount
 - Gooseneck Faucet
 - Wall Brackets
 - 4" High Backsplash
 - 1½" Basket Drain
 - P-trap
 - Tail piece

Bowl Size:
10" W x 14" L x 5" D
Overall Size:
15" W x 16½" L x 9" H

Physically Challenged



HSAP-14-FW

- Comes standard with:
- Deck Mount
 - Gooseneck
 - Faucet with Wrist Handles
 - Wall Brackets
 - 1½" Basket Drain

Bowl Size:
16" W x 14" L x 5" D
Overall Size:
24" W x 19" L x 16½" H



HSAP-14-ADA-FE-B

- Comes standard with:
- Battery-Powered Electronic-Eye Faucet
 - Deck Mount Soap Dispenser
 - Front-Loading C-Fold Towel Dispenser
 - Skirt
 - 1½" Basket Drain

Bowl Size:
16" W x 14" L x 5" D
Overall Size:
24" W x 22" L x 24½" H



HSAP-14-ADA-FW

- Comes standard with:
- Faucet with Wrist Handles
 - Deck Mount Soap Dispenser
 - Front-Loading C-Fold Towel Dispenser
 - Skirt
 - 1½" Basket Drain

Bowl Size:
16" W x 14" L x 5" D
Overall Size:
24" W x 22" L x 24½" H

W = front to back; L = side to side; D = depth of sink bowl;
H = top of backsplash to bottom of bowl, skirting, or waste receptacle

Space Savers

Only 12" from side to side!!



HSAN-10-F

- Comes standard with:
- Splash Mount
 - Gooseneck Faucet
 - 1½" Basket Drain

Bowl Size:
13½" W x 9" L x 6" D
Overall Size:
18" W x 12" L x 14½" H



HSAND-10-F

- Comes standard with:
- Deck Mount
 - Gooseneck Faucet
 - 1½" Basket Drain

Bowl Size:
13½" W x 9" L x 6" D
Overall Size:
19" W x 12" L x 14½" H



HSAN-10-F-DS*

- Comes standard with:
- Splash Mount
 - Gooseneck Faucet
 - Deck Mount Soap Dispenser
 - 1½" Basket Drain

Bowl Size:
13½" W x 9" L x 6" D
Overall Size:
17½" W x 12" L x 14½" H
(note: overall size does not include soap dispenser globe)



HSANT-FS

- Comes standard with:
- Splash Mount Gooseneck Faucet
 - 1½" Basket Drain
 - 19"-high Backsplash
 - Skirt

Bowl Size: 13½" W x 9" L x 6" D
Overall Size: 18" W x 12" L x 26½" H

with 8" Centerline Faucet Holes



HSA-10-8*

- Comes standard with:
- Holes punched 8" apart for splash mount faucet (not included)
 - 1½" Basket Drain

Bowl Size:
9" W x 13½" L x 6" D
Overall Size:
14" W x 18" L x 12" H

To order sink with faucet, add suffix "F"
(example: HSA-10-8F)

with Waste Receptacle



U.S. Patent #5,732,422

HSA-10-FDP-T*

- Comes standard with:
- Splash Mount
 - Gooseneck Faucet
 - Soap dispenser
 - Towel Dispenser
 - Waste Skirt
 - Waste Receptacle
 - 1½" Basket Drain

Bowl Size:
9" W x 13½" L x 6" D
Overall Size:
14" W x 19" L x 44" H

*MICROGARD® available for these hand sinks. See page 2 for details.

Portable Hand Sinks

Features heavy gauge stainless steel cabinet with lockable door, stainless steel top with "v"-marine edge and rear backsplash, 5-gallon fresh water tank, 7-gallon soiled water tank, 4" swivel casters (two with brake), towel rack, trash chute, and NEMA 5-15 plug & cord.

with Stainless Steel Bowl

Description	Model #
cold water only	PHS-S-C
hot & cold water	PHS-S-H

- Comes standard with:
- 14" x 16" x 5" Sink Bowl
 - Deck-mount Faucet

Bowl Size: 16W x 14"L x 5"D
Overall Size: 24"W x 26"L x 44 1/4"H



with Acrylic Bowl

Description	Model #
cold water only	PHS-A-C
hot & cold water	PHS-A-H

- Comes standard with:
- 12 1/2" x 16" Polycarbonate Water Plate
 - Stainless Steel Trough
 - Deck-Mount Faucet

Bowl Size: 12 1/2"W x 16"L
Overall Size: 24"W x 26"L x 44 1/4"H



Optional Poly Cutting Board available! 3/4"-thick. Green. **Model #376509**
 See back cover for **NEW** Portable Hand Sinks with Laminated Cabinets.

Hand Wash Sinks

Features heavy gauge 304 Series stainless steel all-welded construction, hinged door with pull handle and magnetic catch, built-in C-fold towel dispenser, soap dispenser, faucet, and basket drain with crumb cup.

Wall-mountable Sinks

Model #HWC-E

- Comes standard with:
- 1 1/2" Bull Nose Front Edge
 - Gooseneck Faucet
 - "Z" Clips
 - 1 1/2" Basket Drain

Bowl Size: 9"W x 11 1/2"L x 6"D
Overall Size: 16 1/2"W x 14"L x 21 1/4"H



Drop-In Sinks

Model #HWB-E

- Comes standard with:
- 1 1/2" Bull Nose Front Edge
 - Gooseneck Faucet
 - Flange on sides and rear
 - 1 1/2" Basket Drain

Bowl Size: 9"W x 11 1/2"L x 6"D
Overall Size: 17 1/2"W x 16 1/2"L x 17 1/4"



NOTE: T&S faucet available for both style sinks. To order, replace suffix "-E" with "-T". Example: HWC-T

Lavatory Sinks with Marine Edge

All units have a marine edge and come standard with gooseneck spout faucet, soap dispenser and basket drain.

Wall mounted



W1916-FA
Bowl Size:
 15 1/4"W x 19"L x 8 1/2"D
Overall Size:
 23"W x 24 1/4"L x 16 1/2"D

Wall mounted, knee valve operation



W1916
Bowl Size:
 15 1/4"W x 19"L x 8 1/2"D
Overall Size:
 23"W x 24 1/4"L x 22 1/4"D

Pedestal mounted, foot pedal valve operation



P1916
Bowl Size:
 15 1/4"W x 19"L x 8 1/2"D
Overall Size:
 23"W x 24 1/4"L x 39"D

Pedestal mounted, electronic-eye operation



P1916FE
Bowl Size:
 15 1/4"W x 19"L x 8 1/2"D
Overall Size:
 23"W x 24 1/4"L x 39"D

(note: overall size does not include knee pedals)

Surgical Scrub Sinks **NEW**

16 gauge stainless steel construction. Features include 4"-high backsplash, squared front and sides, removable access panel, temperature mixing valve, and electronic-eye gooseneck faucet. Includes flat strainer, with p-trap and tail piece. Standard model features deck-mount faucet. ADA-compliant model features splash mount faucet.



SHS2424-1D

Comes standard with:
• Deck-mount Faucet



SHS2424-1W-ADA

Comes standard with:
• Splash-mount Faucet

Hand Sink Faucets, Spouts, and Accessories

All faucets below feature 4" (102mm) centers, except where noted.



splash mount faucet
model #303987



deck mount faucet
model #302004



deck mount faucet
with 8" spout
model #301248



T&S faucet
model #306134



T&S faucet
model #313305



spout assembly
model #312162

Standard Faucets

Description	Model #
splash mount, 4" center	303987*
wrist handles for faucet #303987	307120
splash mount w/wrist handles, gooseneck, 4" ctr	306495
deck mount, gooseneck, 4" center, 1/4-turn handles	302004*
deck mount, 8" spout, 4" center, 1/4-turn handles	301248*
splash mount, gooseneck, 8" center	313075
drinking bubbler	318495

* Repair kit available for these faucets. Model #368421

T&S Extra Heavy Duty Faucets **OUR BEST**



Top quality faucets.

Description	Model #
splash mounted	306134
splash mounted, wrist handles	313305

Spout Assembly

Description	Model #
splash mounted replacement gooseneck for knee/foot valve-operated models	312162

NEW Short 90° for Splash Mount Faucets

Description	Model #
Set of two, 1/2" NOT female x male	376740

Faucet-Mount Emergency Eye Wash Units

Fits in place of standard aerator on spout.

IMPORTANT: If anti-scald valve (page 11) is needed, order #373848 only.

Description	Model #
pull valve activates fountain, chrome finish	326272
rotate to activate "eye-pod," stainless finish	377563

Shut-Off Valve

Antibacterial surface. NSF-approved. Screws onto faucet aerator. Polished chrome finish.

Description	Model #
shut-off push bar	349921

Battery-Powered Electronic-Eye Faucet

Offered as a replacement faucet for sinks on page 5.

Description	Model #
Splash mount. Comes with (4) "AA" batteries and built-in low-battery indicator	326014

Upgrade: T&S electronic-eye faucet, splash-mtd with batteries and AC adapter for dual operation. With AC adapter plugged in, faucet automatically switches to AC power to conserve batteries.



splash-mount
battery-powered
electronic-eye faucet
model #326014



splash-mount T&S
electronic-eye faucet
model #356128



short 90°
#376740



emergency eye wash unit
model #326272



#377563



shut-off valve
model #349921

Hand Sink Accessories/Replacements

TANKLESS WATER HEATER



hot water heater

Hot Water Heater

Includes stainless steel pedestal with removable front access panel and with notches for electrical wiring. Energy-saving tankless water heater features 120V 29A electricity and 0.5 GPM. Water is heated instantaneously when faucet is turned on. No standby heat loss.

To order, add suffix “-WH” to hand sink model number.

Example: HSA-10-FDPEE-WH.

IMPORTANT: Field wiring required.

Applicable models include: HSA-10, HSA-10-F, HSA-10-FA, HSA-10-FDP, HSA-10-FE, HSA-10-FDPE, HSA-10-FDPEE, HSA-10-FW, HSA-10-FA-P and HSAD-10-F

Waste Receptacle

NOW PATENTED!

U.S. Patent #5,732,422

20 gauge type 304 stainless steel. Removable. Comes with skirt. Must be factory installed. To order, add suffix “-T” to hand sink model number. Example: HSA-10-FDPEE-B-T.

Fits Models: HSA-10, HSA-10-F, HSA-10-FA, HSA-10-FDP, HSA-10-FE, HSA-10-FDPE, HSA-10-FDPEE, and HSA-10-FW



waste receptacle

Drains



polymer lever drain



crumb cup strainer

Description	Model #
polymer lever drain fits 3.5" (89mm)-diameter holes, with crumb cup	319931
overflow assembly for lever drain #319931 (above)	319932
1.5" (38mm) drain assembly fits 2"-diameter holes	300886
mini crumb cup for 1.5" (38mm) drain	300966
s/s basket drain assembly fits 3.5" (89mm)-diameter holes, with crumb cup	300287
cast metal lever drain with overflow assembly, with 7.25" (185mm)-long lever, fits 3.5" (89mm)-diameter holes	347771

Anti-Scald Valve

Features automatic shutdown with either hot or cold water failure.

IMPORTANT: Not for use with Emergency Eye Wash Units (page 10).

Model #326696



anti-scald valve

Anti-Scald Valve for Emergency Eye Wash Unit

This is the only anti-scald valve to be used with Emergency Eye Wash Unit (page 10). Meets ANSI Z358.1 and ASSE 1071 standards. 65°-95°F, ½" NPT.

Model #373848

Valves

Non-Adjustable Y-Inlet Mixing Valve

For electronic hand sinks and hand sinks with single pedal valve only. “Y” shaped single-piece component. Chrome-plated brass body.

Model #342938



Y-inlet mixing valve

Temperature Adjustment Valve

Features check valve to prevent backflow. For hand sinks with AC-powered electronic faucets and hand sinks with single foot or knee valves.

Model #326015



temperature adjustment valve

Tempering Valve

120°F maximum output. 150 psi maximum pressure. ASSE 1016 and 1070 listed.

Model #375612



Plumbing

Tail Piece

Nickel-plated brass.

Model #300791



tail piece

P-Trap

Nickel-plated brass.

Model #300789



p-trap

Hand Sink Accessories/Replacements

Stainless Steel Hand Sink End Splashes

Factory-installed

To order, add to hand sink model numbers the following suffixes:

Left end splash only: **-LS**

Right end splash only: **-RS**

Left and right end splash: **-LRS**

(Note: will not work on Space Saver sinks with wrist handles. MICROGARD® cannot be applied to hand sinks with end splashes.)

For Field-installation: Model #HSA-SSK

Self-adhesive splash can be used for right or left application.



hand sink with optional end splashes

Stainless Steel Skirt Assemblies

Model #606215

Fits all HSA hand sinks with rounded bowls except Space Saver models and HSAD-10-F.



skirt assembly

Model #607560

Fits #HSAN-10-F and HSAND-10-FS hand sinks.

Stainless Steel Wall Brackets

Side mounting, one pair; does not fit space-saver models

Model #606396



wall bracket

Pedal Valves

Foot Pedal Valves

Floor mount.



double foot pedal



single foot pedal

Model #300604

Model #355994

Knee Pedal Valve



double knee pedal



single knee pedal

Model #313481

Model #351738

NEW replacement cartridge available. Fits all pedal valves listed. Model #374955

Nail Brush and Nail Brush Holder

Description

infectious-control nail brush made of FDA-approved material, splash-mount stainless steel nail brush holder

Model

add suffix "-NB"

Nail Brush

Nail Brush Holder



Dispensers

Towel/Soap Dispensers

Fits all HSA hand sinks except Space Savers.

Model #DP-10

Comes with conventional soap dispenser.



model #DP-10

Model #DP-20

Comes with electronic-eye soap dispenser. Requires 4 size "D" batteries.



model #DP-20

Soap Dispensers

Conventional

Holds 16 ounces.

Model #300602



Deck Mount

4" spout, 16-oz. underside globe.

Model #324074



Wall Mounted with Electronic Eye

Model #377456



Towel Dispensers

Wall mounted. Stainless steel.

Model #318496



Wall mounted. Touchless. Break-resistant plastic.

Model #377454



Hand Sanitizing Dispenser

Model #377455

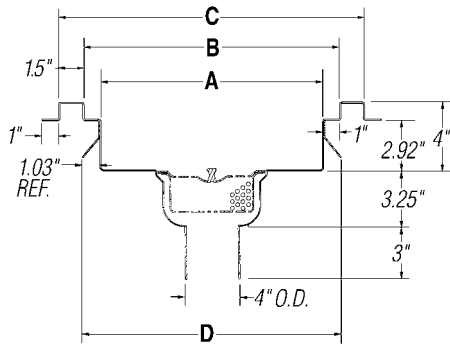


Floor Troughs

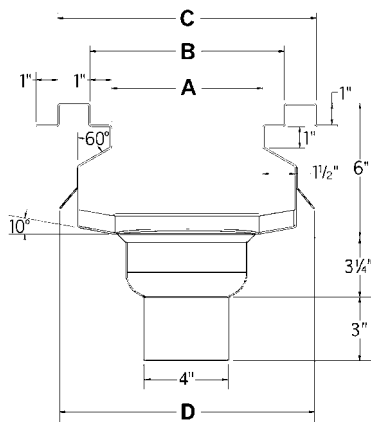
A wide variety of uses: drain off at kettles, indirect waste drainage at walk-in boxes, or indirect waste drainage for sinks. 14 gauge type 304 stainless steel construction. Built-in pitch towards drain insures complete drainage. Floor troughs and floor drains come with subway-style stainless steel grating or fiberglass grating. Troughs and drains feature coved corners and removable perforated stainless steel basket, and accommodate up to a 4"-diameter waste pipe. Secured with anchor straps. Custom sizes available.

Anti-splash floor troughs available. "Anti-splash" design assures complete drainage while preventing splashing back onto the floor. Secured with anchor straps. Custom sizes available. To order, add suffix "AS" to model number.

Example: **ASFT-1524-SG**



standard floor trough—end view



anti-splash floor trough—end view

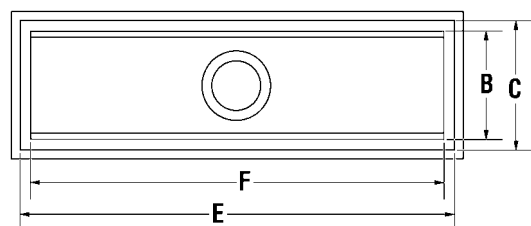


standard floor trough with yellow fiberglass grating



anti-splash floor trough with subway-style grating

**Anti-splash
Floor Troughs
PATENTED!**
(patent #D519,618 S)



top view

(see chart below for dimensions A through F)

Floor Drains

Perforated waste cup can be inverted to double as a bee hive strainer.

Description	Model #
with yellow fiberglass grating	FD-FG
with subway-style grating	FD-SG

		12" (305mm)-Wide Troughs		15" (381mm)-Wide Troughs		18" (457mm)-Wide Troughs		24" (610mm)-Wide Troughs	
		dimension A: 7" dimension B: 9" dimension C: 12" dimension D: 9.25"*		dimension A: 10" dimension B: 12" dimension C: 15" dimension D: 12.25"*		dimension A: 13" dimension B: 15" dimension C: 18" dimension D: 15.25"*		dimension A: 19" dimension B: 21" dimension C: 24" dimension D: 21.25"*	
dimension E	dimension F	WITH YELLOW** FIBERGLASS GRATING	WITH STAINLESS GRATING	WITH YELLOW** FIBERGLASS GRATING	WITH STAINLESS GRATING	WITH YELLOW** FIBERGLASS GRATING	WITH STAINLESS GRATING	WITH YELLOW** FIBERGLASS GRATING	WITH STAINLESS GRATING
18"	15"	FT-1218-FG	FT-1218-SG	n/a	n/a	n/a	n/a	n/a	n/a
24"	21"	FT-1224-FG	FT-1224-SG	FT-1524-FG	FT-1524-SG	FT-1824-FG	FT-1824-SG	FT-2424-FG	FT-2424-SG
30"	27"	FT-1230-FG	FT-1230-SG	FT-1530-FG	FT-1530-SG	FT-1830-FG	FT-1830-SG	FT-2430-FG	FT-2430-SG
36"	33"	FT-1236-FG	FT-1236-SG	FT-1536-FG	FT-1536-SG	FT-1836-FG	FT-1836-SG	FT-2436-FG	FT-2436-SG
48"	45"	FT-1248-FG	FT-1248-SG	FT-1548-FG	FT-1548-SG	FT-1848-FG	FT-1848-SG	FT-2448-FG	FT-2448-SG
60"	57"	FT-1260-FG	FT-1260-SG	FT-1560-FG	FT-1560-SG	FT-1860-FG	FT-1860-SG	FT-2460-FG	FT-2460-SG
72"	69"	FT-1272-FG	FT-1272-SG	FT-1572-FG	FT-1572-SG	FT-1872-FG	FT-1872-SG	FT-2472-FG	FT-2472-SG
84"	81"	FT-1284-FG	FT-1284-SG	FT-1584-FG	FT-1584-SG	FT-1884-FG	FT-1884-SG	FT-2484-FG	FT-2484-SG
96"	93"	FT-1296-FG	FT-1296-SG	FT-1596-FG	FT-1596-SG	FT-1896-FG	FT-1896-SG	FT-2496-FG	FT-2496-SG
120"	117"	FT-12120-FG	FT-12120-SG	FT-15120-FG	FT-15120-SG	FT-18120-FG	FT-18120-SG	FT-24120-FG	FT-24120-SG

* For standard Floor Troughs. For "dimension D" of Anti-splash Floor Troughs, add 2".

** To order Floor Trough with Gray Fiberglass Grating, add suffix "G". Example: FT1224-FGG

To order Floor Trough with Gray ADA-compliant wide "T" Bar Fiberglass Grating, add suffix "-ADA". Example: FT1224-FG-ADA (available for fiberglass grating only)

Counter Drop-In Self Rim Design Hand Sinks

These countertop-mounted sinks are heavy gauge 304 Series stainless steel and come standard with mounting hardware (for top-mount), faucet, and basket drain with crumb cup.

For bottom-mount, order Bottom-Mount Kit #362188 (one kit per one-compartment sink, two kits per two-compartment sink, three kits per three-compartment sink).

One-Compartment



SR10-14-5-1

- Comes standard with:
- Gooseneck Faucet
 - Mounting Hardware
 - 1½" Basket Drain

Bowl Size: 14"W x 10"L x 5"D
Overall Size: 19"W x 12¾"L



SR10-14-9.5-1

- Comes standard with:
- Gooseneck Faucet
 - Mounting Hardware
 - 1½" Basket Drain

Bowl Size: 14"W x 10"L x 9½"D
Overall Size: 18¾"W x 12¾"L



SR14-10-5-1

- Comes standard with:
- Gooseneck Faucet
 - Mounting Hardware
 - 1½" Basket Drain

Bowl Size: 10"W x 14"L x 5"D
Overall Size: 15"W x 16¾"L



SRU14-10-5-1

- Comes standard with:
- Gooseneck Faucet
 - Mounting Hardware
 - 1½" Basket Drain
 - Upturn on Rear and Sides

Bowl Size: 10"W x 14"L x 5"D
Overall Size: 15"W x 16¾"L

Other One-Compartment Models:

Description	Overall Length	Model #
10"W x 14"L x 9½"D bowl	16¾"	SR14-10-9.5-1
14"W x 12"L x 9½"D bowl	14¾"	SR12-14-9.5-1
12"W x 14"L x 9½"D bowl	16¾"	SR14-12-9.5-1
16"W x 14"L x 9½"D bowl	16¾"	SR14-16-9.5-1
14"W x 16"L x 9½"D bowl	18¾"	SR16-14-9.5-1
20"W x 16"L x 13½"D bowl	18½"	SR16-19-8-1
20"W x 16"L x 13½"D bowl	18½"	SR16-19-13.5-1
16"W x 20"L x 8"D bowl	22½"	SR19-16-8-1
16"W x 20"L x 13½"D bowl	22½"	SR19-16-13.5-1
24"W x 18"L x 13½"D bowl	20½"	SR18-24-13.5-1
12"W x 20"L x 6"D bowl	22½"	SR20-12-6.5-1
22"W x 22"L x 13½"D bowl	24¾"	SR22-22-13.5-1
18"W x 24"L x 13½"D bowl	26½"	SR24-18-13.5-1
24"W x 24"L x 13½"D bowl	26½"	SR24-24-13.5-1

W = front to back; L = side to side; D = depth of sink bowl; H = top (excluding faucet) to bottom of sink bowl

Two-Compartment



SR10-14-9.5-2

- Comes standard with:
- Swivel Faucet
 - Mounting Hardware
 - 1½" Basket Drain

Bowl Size: 14"W x 10"L x 9½"D
Overall Size: 18¾"W x 24¾"L

Three-Compartment



SR10-14-9.5-3

- Comes standard with:
- Swivel Faucet
 - Mounting Hardware
 - 1½" Basket Drain

Bowl Size: 14"W x 10"L x 9½"D
Overall Size: 18¾"W x 36¾"L

Other Two-Compartment Models:

Description	Overall Length	Model #
14"W x 12"L x 9½"D bowl	28¾"	SR12-14-9.5-2
16"W x 14"L x 9½"D bowl	32¾"	SR14-16-9.5-2
20"W x 16"L x 8"D bowl	36¼"	SR16-19-8-2
20"W x 16"L x 13½"D bowl	36¼"	SR16-19-13.5-2
24"W x 18"L x 13½"D bowl	40¾"	SR18-24-13.5-2
22"W x 22"L x 13½"D bowl	48¾"	SR22-22-13.5-2
24"W x 24"L x 13½"D bowl	52¾"	SR24-24-13.5-2

Other Three-Compartment Models:

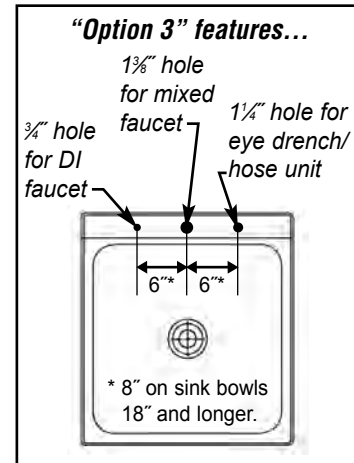
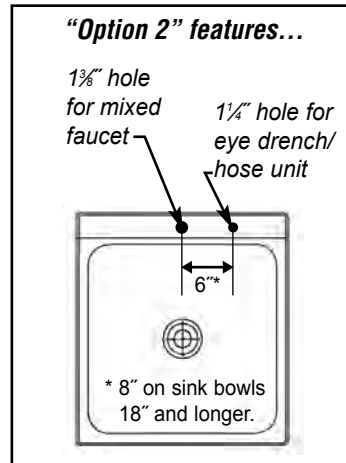
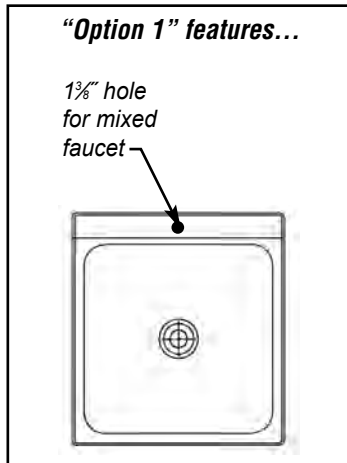
Description	Overall Length	Model #
14"W x 12"L x 9½"D bowl	42¾"	SR12-14-9.5-3
16"W x 14"L x 9½"D bowl	48¾"	SR14-16-9.5-3
20"W x 16"L x 8"D bowl	54"	SR16-19-8-3
19"W x 16"L x 13½"D bowl	54"	SR16-19-13.5-3
24"W x 18"L x 13½"D bowl	60"	SR18-24-13.5-3



Reinforced Laboratory Drop-In Sinks



Heavy gauge type 304 stainless steel. Features faucet support plate and clip to reinforce faucet. Comes with basket drain with 1½" outlet.



One-Compartment Models:

inside bowl width x length x depth	overall width x length	OPTION #1 model #	OPTION #2 model #	OPTION #3 model #
14" x 10" x 5"	19" x 12¾"	SR10A1V1	-	-
14" x 10" x 9½"	18¾" x 12¾"	SR10B1V1	-	-
14" x 12" x 9½"	19" x 14¾"	SR12A1V1	-	-
10" x 14" x 5"	15" x 16¾"	SR14A1V1	SR14A1V2	SR14A1V3
10" x 14" x 9½"	15" x 16¾"	SRU14A1V1	SRU14A1V2	SRU14A1V3
10" x 14" x 9½"	15" x 16¾"	SR14B1V1	SR14B1V2	SR14B1V3
12" x 14" x 9½"	17" x 16¾"	SR14C1V1	SR14C1V2	SR14C1V3
16" x 14" x 9½"	21" x 16¾"	SR14D1V1	SR14D1V2	SR14D1V3
14" x 16" x 9½"	19" x 18¾"	SR16A1V1	SR16A1V2	SR16A1V3
20" x 16" x 8"	24¾" x 18¾"	SR16B1V1	SR16B1V2	SR16B1V3
20" x 16" x 13½"	24¾" x 18¾"	SR16C1V1	SR16C1V2	SR16C1V3
24" x 18" x 13½"	28¾" x 20½"	SR18A1V1	SR18A1V2	SR18A1V3
16" x 20" x 8"	20¾" x 22½"	SR19A1V1	SR19A1V2	SR19A1V3
16" x 20" x 13½"	20¾" x 22½"	SR19B1V1	SR19B1V2	SR19B1V3
22" x 22" x 13½"	27" x 24¾"	SR22A1V1	SR22A1V2	SR22A1V3
18" x 24" x 13½"	22¾" x 26½"	SR24A1V1	SR24A1V2	SR24A1V3
24" x 24" x 13½"	28¾" x 26½"	SR24B1V1	SR24B1V2	SR24B1V3



one-compartment with "option #2"



two-compartment with "option #3"

Two-Compartment Models:

inside bowl width x length x depth	overall width x length	OPTION #1 model #	OPTION #2 model #	OPTION #3 model #
14" x 10" x 9½"	18¾" x 24¾"	SR10B2V1	-	-
14" x 12" x 9½"	19" x 28¾"	SR12A2V1	-	-
16" x 14" x 9½"	21" x 32¾"	SR14D2V1	SR14D2V2	SR14D2V3
20" x 16" x 8"	24¾" x 36¾"	SR16B2V1	SR16B2V2	SR16B2V3
20" x 16" x 13½"	24¾" x 36¾"	SR16C2V1	SR16C2V2	SR16C2V3
24" x 18" x 13½"	28¾" x 40¾"	SR18A2V1	SR18A2V2	SR18A2V3
22" x 22" x 13½"	27" x 48¾"	SR22A2V1	SR22A2V2	SR22A2V3
24" x 24" x 13½"	28¾" x 52¾"	SR24B2V1	SR24B2V2	SR24B2V3

Three-Compartment Models:

inside bowl width x length x depth	overall width x length	OPTION #1 model #	OPTION #2 model #	OPTION #3 model #
14" x 10" x 9½"	18¾" x 36¾"	SR10B3V1	-	-
14" x 12" x 9½"	19" x 42¾"	SR12A3V1	-	-
16" x 14" x 9½"	21" x 48¾"	SR14D3V1	SR14D3V2	SR14D3V3
20" x 16" x 8"	24¾" x 54"	SR16B3V1	SR16B3V2	SR16B3V3
20" x 16" x 13½"	24¾" x 54"	SR16C3V1	SR16C3V2	SR16C3V3
24" x 18" x 13½"	28¾" x 60"	SR18A3V1	SR18A3V2	SR18A3V3



three-compartment with "option #1"

W = front to back; L = side to side; D = depth of sink bowl; H = top (excluding faucet) to bottom of sink bowl



100 Industrial Blvd., Clayton, DE 19938-8903 U.S.A. • Main Office: (302) 653-3000 • Fax: (302) 653-2065
FDSRV - Phone: (800) 441-8440 • MHC - Phone: (800) 637-5100 • Visit us at: <http://www.eaglegrp.com>



Portable Hand Sinks with Laminated Cabinet



Features 3/4"-thick plywood cabinet with Wilsonart® Biltmore laminate, stainless steel top with "v"-marine edge and rear backsplash, lockable doors, 5-gallon fresh water tank, 7-gallon soiled water tank, deck faucet with 8" swivel spout, deck mount soap dispenser, 3" swivel plate casters, towel rack, trash chute with trash receptacle, and NEMA 5-15 GFCI plug with 10' cord.



model #PHS-S-H-LB

Sinks with Single Bowl

PHS-S-H-LB

- Comes standard with:
- 2.5-gallon hot water heater
 - Deck-Mount Faucet
 - 1½" Basket Drain

PHS-S-C-LB

- Comes standard with:
- Deck-Mount Faucet
 - 1½" Basket Drain

Bowl Size: 14W x 10"L x 5"D
Overall Size: 25"W x 28"L x 44½"H

Sinks with Three Bowls

PHS-S3-H-LB

- Comes standard with:
- 2.5-gallon hot water heater
 - Deck-Mount Faucet
 - 1½" Basket Drain

PHS-S3-C-LB

- Comes standard with:
- Deck-Mount Faucet
 - 1½" Basket Drain

Bowl Size: 11½"W x 6"L x 5"D
Overall Size: 25"W x 28"L x 44½"H

See page 9 for Portable Hand Sinks with Stainless Steel Cabinets.

© 2014 Eagle Group. Although every attempt has been made to ensure the accuracy of the data in this publication, we cannot be responsible for printing or typographical errors or omissions.



Quality

Value

Reliability

Profit from the Eagle Advantage®

Corporate Headquarters • 100 Industrial Boulevard
Clayton, DE 19938-8903
• Phone: (302) 653-3000

Foodservice/SpecFAB® Divisions • Phone: (800) 441-8440
• Fax: (302) 653-2065

Material Handling Division • Phone: (800) 637-5100
• Fax: (302) 653-2065

www.eaglegrp.com



Rev 01/14 EG7006