

# Table With Bolted Undershaft

## INSTALLATION INSTRUCTIONS

### CAUTION

INSPECT CONTENTS IMMEDIATELY AND FILE CLAIM WITH DELIVERING CARRIER FOR ANY DAMAGE. **SAVE YOUR BOX AND ALL PACKING MATERIALS.** YOU ARE RESPONSIBLE FOR DAMAGE TO YOUR UNIT IF RETURNED IMPROPERLY PACKED.

### Parts List

qty	description
4	bolts
4	nuts
4	set screws
4	legs
1	undershaft
1	table top

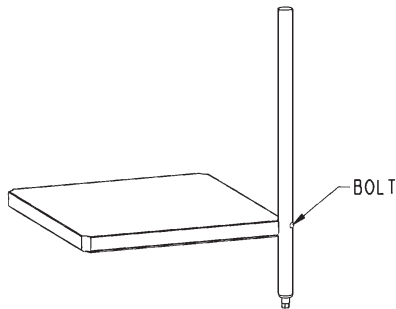


figure 1

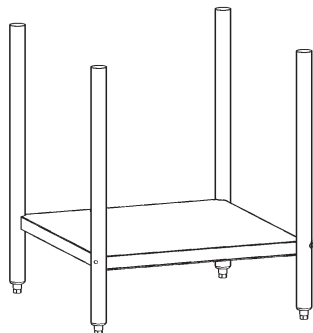


figure 2

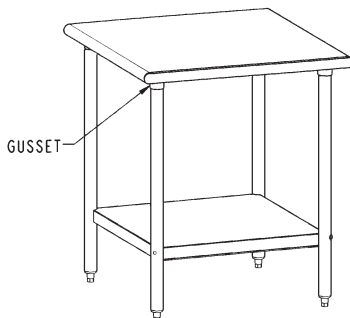


figure 3

### Step 1 - Bolt undershaft to one leg.

- Lay the assembly onto its side.
- Bolt the undershaft to one of the legs with bolt provided.
- Use nut provided to tighten and secure the bolt to both the leg and the undershaft (see *figure 1*).

### Step 2 - Bolt remaining legs.

- Repeat **Step 1**, bolting the remaining legs to the undershaft.
- Stand assembly upright, once all legs have been assembled (see *figure 2*).

### Step 3 - Join tabletop to legs.

- Place the tabletop onto the leg/undershaft assembly by inserting the top of each leg into each gusset (see *figure 3*).
- Secure the tabletop to the legs by placing a set screw through the hole found in each gusset, and tighten.

**(End)** Assembly is complete.