



Profit from the Eagle Advantage®

# Specification Sheet

## Short Form Specifications

Eagle Spec-Master® One-Compartment Sinks, model \_\_\_\_\_ . Unit constructed of 14 gauge 300 series, 18-8 stainless steel throughout. Sink bowls covered with a full 5/8" radius, and shall have a 14" water level. Drainboards, when required, shall be "V" creased for positive drainage. 9 1/2" high backsplash with 1" upturn and tile edge. Legs to be 1 1/2" O.D., stainless steel, with stainless steel gussets, stainless steel crossbracing and adjustable stainless steel bullet feet.



one-compartment FN sink

## Options / Accessories

- Lever drain
- Lever drain with overflow
- Twist handle drains
- Overflow hole
- Sink kits
- Faucets
- Polyboard sink covers
- Stainless steel sink covers

## Assembly:

- Entire assembly is fuse-welded and planished, providing a one-piece seamless sink unit.
- Welded areas are high-speed belt blended to match adjacent surfaces with continuity of satin finish.
- All outside corners of assembly are bullnosed to provide safe, clean edges.
- Water supply is 1/2" (13mm) NPS for hot and cold lines.

## EAGLE GROUP

100 Industrial Boulevard, Clayton, DE 19938-8903 USA

Phone: 302-653-3000 • Fax: 302-653-2065

www.eaglegrp.com

Foodservice Division: Phone 800-441-8440

MHC/Retail Display Divisions: Phone 800-637-5100

For custom configuration or fabrication needs, contact our SpecFAB® Division.

Phone: 302-653-3000 • Fax: 302-653-2065 • e-mail: quotes@eaglegrp.com

Item No.: \_\_\_\_\_  
 Project No.: \_\_\_\_\_  
 S.I.S. No.: \_\_\_\_\_

# Spec-Master® FN Series Coved Corner One-Compartment Sinks

## MODELS:

- FN2016-1-\*
- FN2018-1-\*
- FN2020-1-\*
- FN2424-1-\*
- FN2820-1-\*

\* See chart on back for complete model numbers.

## Top:

- Drainboards, backsplash and rolled rims are 14 gauge 300 series stainless steel.
- Drainboards, when provided, are integrally welded.
- All rolled edges are highlighted for enhanced appearance.
- 9 1/2" high backsplash with 1" upturn and tile edge.
- 1 1/2" (29mm) faucet holes punched on 8" (203mm) centers.

## Base:

- Legs: 1 1/2" (41mm)-diameter stainless steel tubing with stainless steel gussets and fully adjustable stainless steel bullet feet.
- Crossbracing: Adjustable, 1 1/4" (32mm)-diameter stainless steel; running left-to-right and front-to-back.
- Leg locations fall directly under sink bowl\*, providing increased stability and maximum weight support.
- Leg gussets welded to a die-cut heavy-gauge stainless steel reinforcing corner plate.
- Legs are crossbraced on all sides for increased stability.

## Sink Bowl:

- 14 gauge 300 series stainless steel.
- 14" (356mm) water level, 17" (432mm) flood level.
- Sink compartment coved on a full 5/8" (41mm) radius and constructed using state-of-the-art seamless welding techniques.
- Basket-type waste drain fits sink bowl's 3 1/2" (89mm) opening and features 1 1/2" (38mm) outlet.

\* On sinks with drainboard(s) 30" or longer, legs are located underneath the outer end of drainboard(s).

## Certifications / Approvals



AutoQuotes



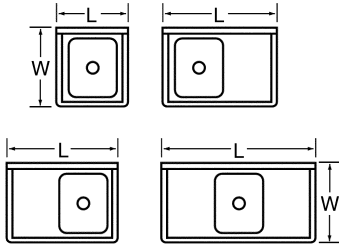
Spec sheets available for viewing, printing or downloading from our online literature library at [www.eaglegrp.com](http://www.eaglegrp.com)



Profit from the Eagle Advantage®

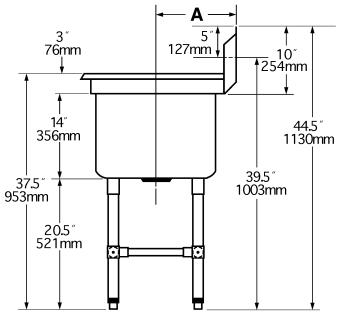
Item No.: \_\_\_\_\_  
 Project No.: \_\_\_\_\_  
 S.I.S. No.: \_\_\_\_\_

# Spec-Master® FN Series Coved Corner One-Compartment Sinks



Drain location for rough-in

bowl width in. mm	bowl length in. mm	Dimension A	
20" 508	16" 406	14"	356
20" 508	18" 457	14"	356
20" 508	20" 508	14"	356
24" 610	24" 610	16"	406
28" 711	20" 508	18"	457



model #	BOWL DIMENSIONS				quantity	DRAINBOARD		OVERALL DIMENSIONS				weight	
	width		length			length		width		length		lbs.	kg
	in.	mm	in.	mm		in.	mm	in.	mm	in.	mm		
FN2016-1-14/3	20"	508	16"	406	0	-	-	27"	686	21"	533	55	24.9
FN2016-1-18R or L-14/3	20"	508	16"	406	1	18"	457	27"	686	37 1/2"	953	74	30.8
FN2016-1-18-14/3	20"	508	16"	406	2	18"	457	27"	686	54"	1372	93	37.6
FN2016-1-24R or L-14/3	20"	508	16"	406	1	24"	610	27"	686	43 1/2"	1105	80	33.1
FN2016-1-24-14/3	20"	508	16"	406	2	24"	610	27"	686	66"	1676	105	42.1
FN2016-1-30R or L-14/3	20"	508	16"	406	1	30"	762	27"	686	49 1/2"	1257	85	38.6
FN2016-1-30-14/3	20"	508	16"	406	2	30"	762	27"	686	78"	1981	115	52.2
FN2016-1-36R or L-14/3	20"	508	16"	406	1	36"	914	27"	686	55 1/2"	1410	90	40.8
FN2016-1-36-14/3	20"	508	16"	406	2	36"	914	27"	686	90"	2286	125	56.7
FN2018-1-14/3	20"	508	18"	457	0	-	-	27"	686	23"	584	58	26.3
FN2018-1-18R or L-14/3	20"	508	18"	457	1	18"	457	27"	686	39 1/2"	1003	76	34.4
FN2018-1-18-14/3	20"	508	18"	457	2	18"	457	27"	686	56"	1422	96	43.5
FN2018-1-24R or L-14/3	20"	508	18"	457	1	24"	610	27"	686	45 1/2"	1156	81	36.7
FN2018-1-24-14/3	20"	508	18"	457	2	24"	610	27"	686	68"	1727	106	48.1
FN2018-1-30R or L-14/3	20"	508	18"	457	1	30"	762	27"	686	51 1/2"	1308	88	39.9
FN2018-1-30-14/3	20"	508	18"	457	2	30"	762	27"	686	80"	2032	118	53.5
FN2018-1-36R or L-14/3	20"	508	18"	457	1	36"	914	27"	686	57 1/2"	1464	93	42.2
FN2018-1-36-14/3	20"	508	18"	457	2	36"	914	27"	686	92"	2337	128	58.1
FN2020-1-14/3	20"	508	20"	508	0	-	-	27"	686	25"	635	60	27.2
FN2020-1-18R or L-14/3	20"	508	20"	508	1	18"	457	27"	686	41 1/2"	1054	79	35.8
FN2020-1-18-14/3	20"	508	20"	508	2	18"	457	27"	686	58"	1473	98	44.5
FN2020-1-24R or L-14/3	20"	508	20"	508	1	24"	610	27"	686	47 1/2"	1207	85	37.2
FN2020-1-24-14/3	20"	508	20"	508	2	24"	610	27"	686	70"	1778	110	48.5
FN2020-1-30R or L-14/3	20"	508	20"	508	1	30"	762	27"	686	53 1/2"	1359	90	40.8
FN2020-1-30-14/3	20"	508	20"	508	2	30"	762	27"	686	82"	2083	120	54.4
FN2020-1-36R or L-14/3	20"	508	20"	508	1	36"	914	27"	686	59 1/2"	1511	95	43.1
FN2020-1-36-14/3	20"	508	20"	508	2	36"	914	27"	686	94"	2388	130	59.0
FN2424-1-14/3	24"	610	24"	610	0	-	-	31"	787	29"	737	69	31.2
FN2424-1-18R or L-14/3	24"	610	24"	610	1	18"	457	31"	787	45 1/2"	1156	88	39.9
FN2424-1-18-14/3	24"	610	24"	610	2	18"	457	31"	787	62"	1575	107	48.5
FN2424-1-24R or L-14/3	24"	610	24"	610	1	24"	610	31"	787	51 1/2"	1308	88	37.6
FN2424-1-24-14/3	24"	610	24"	610	2	24"	610	31"	787	74"	1880	119	49.0
FN2424-1-30R or L-14/3	24"	610	24"	610	1	30"	762	31"	787	57 1/2"	1461	99	44.9
FN2424-1-30-14/3	24"	610	24"	610	2	30"	762	31"	787	86"	2184	129	58.5
FN2424-1-36R or L-14/3	24"	610	24"	610	1	36"	914	31"	787	63 1/2"	1613	104	47.2
FN2424-1-36-14/3	24"	610	24"	610	2	36"	914	31"	787	98"	2489	139	63.1
FN2820-1-14/3	28"	711	20"	508	0	-	-	35"	889	25"	635	79	35.8
FN2820-1-18R or L-14/3	28"	711	20"	508	1	18"	457	35"	889	41 1/2"	1054	98	44.5
FN2820-1-18-14/3	28"	711	20"	508	2	18"	457	35"	889	58"	1473	117	53.1
FN2820-1-24R or L-14/3	28"	711	20"	508	1	24"	610	35"	889	47 1/2"	1207	104	43.1
FN2820-1-24-14/3	28"	711	20"	508	2	24"	610	35"	889	70"	1778	129	55.3
FN2820-1-30R or L-14/3	28"	711	20"	508	1	30"	762	35"	889	53 1/2"	1359	109	49.4
FN2820-1-30-14/3	28"	711	20"	508	2	30"	762	35"	889	82"	2083	139	63.1
FN2820-1-36R or L-14/3	28"	711	20"	508	1	36"	914	35"	889	59 1/2"	1511	114	51.7
FN2820-1-36-14/3	28"	711	20"	508	2	36"	914	35"	889	94"	2388	149	67.6

**EAGLE GROUP**  
 100 Industrial Boulevard, Clayton, DE 19938-8903 USA  
 Phone: 302-653-3000 • Fax: 302-653-2065  
 www.eaglegrp.com

Foodservice Division: Phone 800-441-8440  
 MHC/Retail Display Divisions: Phone 800-637-5100

Printed in U.S.A.  
 ©2018 by Eagle Group

Rev. 02/18

Spec sheets available for viewing, printing or downloading from our online literature library at [www.eaglegrp.com](http://www.eaglegrp.com)

Although every attempt has been made to ensure the accuracy of the information provided, we cannot be held responsible for typographical or printing errors. Information and specifications are subject to change without notice. Please confirm at time of order.



Profit from the Eagle Advantage®

# Specification Sheet

## Short Form Specifications

Eagle Spec-Master® Two-Compartment Sinks, model \_\_\_\_\_ . Unit constructed of 14 gauge 300 series, 18-8 stainless steel throughout. Sink bowls covered with a full 5/8" radius, and shall have a 14" water level. Drainboards, when required, shall be "V" creased for positive drainage. 9 1/2" high backsplash with 1" upturn and tile edge. Legs to be 1 1/2" O.D., stainless steel, with stainless steel gussets, stainless steel crossbracing and adjustable stainless steel bullet feet.



2-compartment sink (faucet not included)

## Options / Accessories

- Lever drain
- Lever drain with overflow
- Twist handle drains
- Overflow hole
- Sink kits
- Faucets
- Polyboard sink covers
- Stainless steel sink covers
- Skirted front panel

## Assembly:

- Entire assembly is fuse-welded and planished, providing a one-piece seamless sink unit.
- Welded areas are high-speed belt blended to match adjacent surfaces with continuity of satin finish.
- All outside corners of assembly are bullnosed to provide safe, clean edges.
- Water supply is 1/2" (13mm) NPS for hot and cold lines.

## EAGLE GROUP

100 Industrial Boulevard, Clayton, DE 19938-8903 USA  
Phone: 302-653-3000 • Fax: 302-653-2065  
www.eaglegrp.com

Foodservice Division: Phone 800-441-8440

MHC/Retail Display Divisions: Phone 800-637-5100

For custom configuration or fabrication needs, contact our SpecFAB® Division.

Phone: 302-653-3000 • Fax: 302-653-2065 • e-mail: quotes@eaglegrp.com

Item No.: \_\_\_\_\_  
 Project No.: \_\_\_\_\_  
 S.I.S. No.: \_\_\_\_\_

# Spec-Master® FN Series Coved Corner Two-Compartment Sinks

## MODELS:

- FN2032-2-\*
- FN2036-2-\*
- FN2040-2-\*
- FN2448-2-\*
- FN2840-2-\*

\* See table on back for complete model numbers.

## Top:

- Drainboards, backsplash and rolled rims are 14 gauge 300 series stainless steel.
- Drainboards, when provided, are integrally welded.
- All rolled edges are highlighted for enhanced appearance.
- 9 1/2" high backsplash with 1" upturn and tile edge.
- 1 1/8" (29mm) faucet holes punched on 8" (203mm) centers.

## Base:

- Legs: 1 1/2" (41mm)-diameter stainless steel tubing with stainless steel gussets and fully adjustable stainless steel bullet feet.
- Crossbracing: Adjustable, 1 1/4" (32mm)-diameter stainless steel; running left-to-right and front-to-back.
- Leg locations fall directly under sink bowls\*, providing increased stability and maximum weight support.
- Leg gussets welded to a die-cut heavy-gauge stainless steel reinforcing corner plate.
- Legs are crossbraced on all sides for increased stability.

## Sink Bowls:

- 14 gauge 300 series stainless steel.
- 14" (356mm) water level, 17" (432mm) flood level.
- Sink compartments are coved on a full 5/8" (41mm) radius and constructed using state-of-the-art seamless welding techniques.
- Basket-type waste drain fits sink bowls' 3 1/2" (89mm) opening and features 1 1/2" (38mm) outlet.

\* On sinks with drainboard(s) 30" or longer, legs are located underneath the outer end of drainboard(s).

## Certifications / Approvals



AutoQuotes



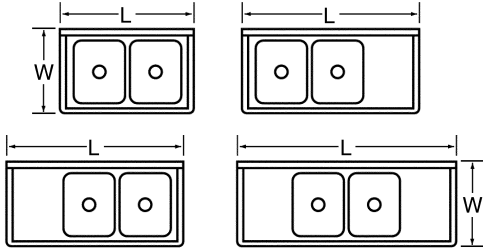
Spec sheets available for viewing, printing or downloading from our online literature library at [www.eaglegrp.com](http://www.eaglegrp.com)



Profit from the Eagle Advantage®

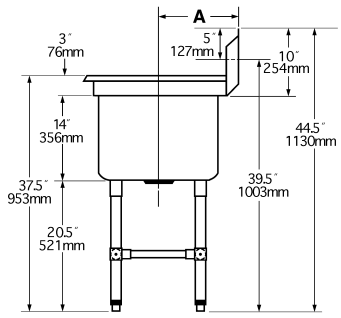
Item No.: \_\_\_\_\_  
 Project No.: \_\_\_\_\_  
 S.I.S. No.: \_\_\_\_\_

## Spec-Master® FN Series Coved Corner Two-Compartment Sinks



Drain location for rough-in

bowl width	bowl length	Dimension A	
in. mm	in. mm	in.	mm
20" 508	16" 406	14"	356
20" 508	18" 457	14"	356
20" 508	20" 508	14"	356
24" 610	24" 610	16"	406
28" 711	20" 508	18"	457



model #	BOWL DIMENSIONS				quantity	DRAINBOARD		OVERALL DIMENSIONS				weight	
	width		length			length		width		length		lbs.	kg
	in.	mm	in.	mm		in.	mm	in.	mm	in.	mm		
FN2032-2-14/3	20"	508	16"	406	0	-		27"	686	39"	991	77	34.9
FN2032-2-18R or L-14/3	20"	508	16"	406	1	18"	457	27"	686	55 1/2"	1410	96	43.6
FN2032-2-18-14/3	20"	508	16"	406	2	18"	457	27"	686	72"	1829	115	52.2
FN2032-2-24R or L-14/3	20"	508	16"	406	1	24"	610	27"	686	61 1/2"	1562	102	46.3
FN2032-2-24-14/3	20"	508	16"	406	2	24"	610	27"	686	84"	2134	127	57.6
FN2032-2-30R or L-14/3	20"	508	16"	406	1	30"	762	27"	686	67 1/2"	1715	107	48.5
FN2032-2-30-14/3	20"	508	16"	406	2	30"	762	27"	686	96"	2438	137	62.1
FN2032-2-36R or L-14/3	20"	508	16"	406	1	36"	914	27"	686	73 1/2"	1867	112	50.8
FN2032-2-36-14/3	20"	508	16"	406	2	36"	914	27"	686	108"	2743	147	66.7
FN2036-2-14/3	20"	508	18"	457	0	-		27"	686	43"	1092	82	37.2
FN2036-2-18R or L-14/3	20"	508	18"	457	1	18"	457	27"	686	59 1/2"	1511	101	45.8
FN2036-2-18-14/3	20"	508	18"	457	2	18"	457	27"	686	76"	1930	120	54.4
FN2036-2-24R or L-14/3	20"	508	18"	457	1	24"	610	27"	686	65 1/2"	1664	107	48.5
FN2036-2-24-14/3	20"	508	18"	457	2	24"	610	27"	686	88"	2235	132	59.9
FN2036-2-30R or L-14/3	20"	508	18"	457	1	30"	762	27"	686	71 1/2"	1816	112	50.8
FN2036-2-30-14/3	20"	508	18"	457	2	30"	762	27"	686	100"	2540	142	64.4
FN2036-2-36R or L-14/3	20"	508	18"	457	1	36"	914	27"	686	77 1/2"	1969	117	53.1
FN2036-2-36-14/3	20"	508	18"	457	2	36"	914	27"	686	112"	2845	152	68.9
FN2040-2-14/3	20"	508	20"	508	0	-		27"	686	47"	1194	86	39.0
FN2040-2-18R or L-14/3	20"	508	20"	508	1	18"	457	27"	686	63 1/2"	1613	105	47.6
FN2040-2-18-14/3	20"	508	20"	508	2	18"	457	27"	686	80"	2032	124	56.2
FN2040-2-24R or L-14/3	20"	508	20"	508	1	24"	610	27"	686	69 1/2"	1763	111	50.3
FN2040-2-24-14/3	20"	508	20"	508	2	24"	610	27"	686	92"	2337	136	61.7
FN2040-2-30R or L-14/3	20"	508	20"	508	1	30"	762	27"	686	75 1/2"	1918	116	52.6
FN2040-2-30-14/3	20"	508	20"	508	2	30"	762	27"	686	104"	2642	146	66.2
FN2040-2-36R or L-14/3	20"	508	20"	508	1	36"	914	27"	686	81 1/2"	2070	121	54.9
FN2040-2-36-14/3	20"	508	20"	508	2	36"	914	27"	686	116"	2946	156	70.8
FN2448-2-14/3	24"	610	24"	610	0	-		31"	787	55"	1397	91	41.3
FN2448-2-18R or L-14/3	24"	610	24"	610	1	18"	457	31"	787	71 1/2"	1816	110	49.9
FN2448-2-18-14/3	24"	610	24"	610	2	18"	457	31"	787	88"	2235	129	58.5
FN2448-2-24R or L-14/3	24"	610	24"	610	1	24"	610	31"	787	77 1/2"	1969	116	52.6
FN2448-2-24-14/3	24"	610	24"	610	2	24"	610	31"	787	100"	2540	141	64.0
FN2448-2-30R or L-14/3	24"	610	24"	610	1	30"	762	31"	787	83 1/2"	2121	121	54.9
FN2448-2-30-14/3	24"	610	24"	610	2	30"	762	31"	787	112"	2845	151	68.5
FN2448-2-36R or L-14/3	24"	610	24"	610	1	36"	914	31"	787	89 1/2"	2273	126	57.2
FN2448-2-36-14/3	24"	610	24"	610	2	36"	914	31"	787	124"	3150	161	73.0
FN2840-2-14/3	28"	711	20"	508	0	-		35"	889	47"	1194	96	43.6
FN2840-2-18R or L-14/3	28"	711	20"	508	1	18"	457	35"	889	63 1/2"	1613	115	52.2
FN2840-2-18-14/3	28"	711	20"	508	2	18"	457	35"	889	80"	2032	134	60.8
FN2840-2-24R or L-14/3	28"	711	20"	508	1	24"	610	35"	889	69 1/2"	1763	121	54.9
FN2840-2-24-14/3	28"	711	20"	508	2	24"	610	35"	889	92"	2337	146	66.2
FN2840-2-30R or L-14/3	28"	711	20"	508	1	30"	762	35"	889	75 1/2"	1918	126	56.7
FN2840-2-30-14/3	28"	711	20"	508	2	30"	762	35"	889	104"	2642	156	70.8
FN2840-2-36R or L-14/3	28"	711	20"	508	1	36"	914	35"	889	81 1/2"	2070	131	59.4
FN2840-2-36-14/3	28"	711	20"	508	2	36"	914	35"	889	116"	2946	166	75.3

**EAGLE GROUP**  
 100 Industrial Boulevard, Clayton, DE 19938-8903 USA  
 Phone: 302-653-3000 • Fax: 302-653-2065  
 www.eaglegrp.com

Foodservice Division: Phone 800-441-8440  
 MHC/Retail Display Divisions: Phone 800-637-5100

Printed in U.S.A.  
 ©2018 by Eagle Group

Rev. 02/18

Spec sheets available for viewing, printing or downloading from our online literature library at [www.eaglegrp.com](http://www.eaglegrp.com)

Although every attempt has been made to ensure the accuracy of the information provided, we cannot be held responsible for typographical or printing errors. Information and specifications are subject to change without notice. Please confirm at time of order.



Profit from the Eagle Advantage®

# Specification Sheet

## Short Form Specifications

Eagle Spec-Master® Three-Compartment Sinks, model \_\_\_\_\_ . Unit constructed of 14 gauge 300 series, 18-8 stainless steel throughout. Sink bowls covered with a full 5/8" radius, and shall have a 14" water level. Drainboards, when required, shall be "V" creased for positive drainage. 9 1/2" high backsplash with 1" upturn and tile edge. Legs to be 1 1/2" O.D., stainless steel, with stainless steel gussets, stainless steel crossbracing and adjustable stainless steel bullet feet.



3-compartment sink  
(faucets not included)

## Options / Accessories

- Lever drain
- Lever drain with overflow
- Twist handle drains
- Overflow hole
- Sink kits
- Faucets
- Polyboard sink covers
- Stainless steel sink covers
- Skirted front panel

## Assembly:

- Entire assembly is fuse-welded and planished, providing a one-piece seamless sink unit.
- Welded areas are high-speed belt blended to match adjacent surfaces with continuity of satin finish.
- All outside corners of assembly are bullnosed to provide safe, clean edges.
- Water supply is 1/2" (13mm) NPS for hot and cold lines.

## EAGLE GROUP

100 Industrial Boulevard, Clayton, DE 19938-8903 USA  
Phone: 302-653-3000 • Fax: 302-653-2065  
www.eaglegrp.com

Foodservice Division: Phone 800-441-8440

MHC/Retail Display Divisions: Phone 800-637-5100

For custom configuration or fabrication needs, contact our SpecFAB® Division.

Phone: 302-653-3000 • Fax: 302-653-2065 • e-mail: quotes@eaglegrp.com

Item No.: \_\_\_\_\_  
 Project No.: \_\_\_\_\_  
 S.I.S. No.: \_\_\_\_\_

# Spec-Master® FN Series Coved Corner Three-Compartment Sinks

## MODELS:

- FN2048-3-\*
- FN2054-3-\*
- FN2060-3-\*
- FN2472-3-\*
- FN2860-3-\*

\* See table on back for complete model numbers.

## Top:

- Drainboards, backsplash and rolled rims are 14 gauge 300 series stainless steel.
- Drainboards, when provided, are integrally welded.
- All rolled edges are highlighted for enhanced appearance.
- 9 1/2" high backsplash with 1" upturn and tile edge.
- 1 1/2" (29mm) faucet holes\* punched on 8" (203mm) centers.

## Base:

- Legs: 1 1/2" (41mm)-diameter stainless steel tubing with stainless steel gussets and fully adjustable stainless steel bullet feet.
- Crossbracing: Adjustable, 1 1/4" (32mm)-diameter stainless steel; running left-to-right and front-to-back.
- Leg locations fall directly under sink bowls\*\*, providing increased stability and maximum weight support.
- Leg gussets welded to a die-cut heavy-gauge stainless steel reinforcing corner plate.
- Legs are crossbraced on all sides for increased stability.

## Sink Bowls:

- 14 gauge 300 series stainless steel.
- 14" (356mm) water level, 17" (432mm) flood level.
- Sink compartments are coved on a full 5/8" (41mm) radius and constructed using state-of-the-art seamless welding techniques.
- Basket-type waste drain fits sink bowls' 3 1/2" (89mm) opening and features 1 1/2" (38mm) outlet.

\* Three-compartment sinks with 20" x 16" (508 x 406mm) bowls have one set of faucet holes. All others feature two sets of faucet holes.

\*\* On sinks with drainboard(s) 30" or longer, legs are located underneath the outer end of drainboard(s).

## Certifications / Approvals



AutoQuotes



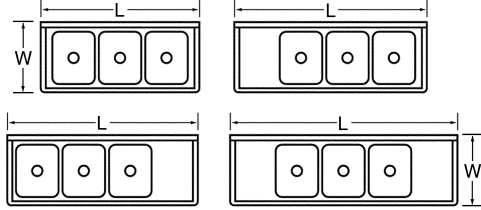
Spec sheets available for viewing, printing or downloading from our online literature library at [www.eaglegrp.com](http://www.eaglegrp.com)



Profit from the Eagle Advantage®

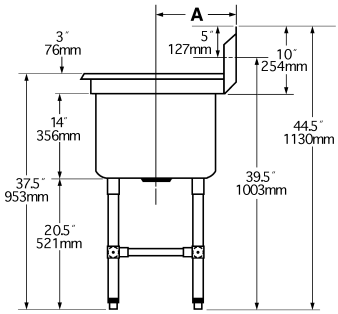
Item No.: \_\_\_\_\_  
 Project No.: \_\_\_\_\_  
 S.I.S. No.: \_\_\_\_\_

# Spec-Master® FN Series Coved Corner Three-Compartment Sinks



### Drain location for rough-in

bowl width in.	bowl length in.	Dimension A	
20"	508	16"	406
20"	508	18"	457
20"	508	20"	508
24"	610	24"	610
28"	711	20"	508



model #	BOWL DIMENSIONS				DRAINBOARD quantity	DRAINBOARD length		OVERALL DIMENSIONS				weight	
	width		length			in.	mm	width		length		lbs.	kg
FN2048-3-14/3	20"	508	16"	406	0	-	-	27"	686	57"	1448	99	44.9
FN2048-3-18R or L-14/3	20"	508	16"	406	1	18"	457	27"	686	73 1/2"	1867	118	53.5
FN2048-3-18-14/3	20"	508	16"	406	2	18"	457	27"	686	90"	2286	137	61.7
FN2048-3-24R or L-14/3	20"	508	16"	406	1	24"	610	27"	686	79 1/2"	2019	124	56.2
FN2048-3-24-14/3	20"	508	16"	406	2	24"	610	27"	686	102"	2591	149	67.6
FN2048-3-30R or L-14/3	20"	508	16"	406	1	30"	762	27"	686	85 1/2"	2172	129	58.5
FN2048-3-30-14/3	20"	508	16"	406	2	30"	762	27"	686	114"	2896	159	72.1
FN2048-3-36R or L-14/3	20"	508	16"	406	1	36"	914	27"	686	91 1/2"	2324	134	60.8
FN2048-3-36-14/3	20"	508	16"	406	2	36"	914	27"	686	126"	3200	169	76.7
FN2054-3-14/3 *	20"	508	18"	457	0	-	-	27"	686	63"	1600	102	46.3
FN2054-3-18R or L-14/3 *	20"	508	18"	457	1	18"	457	27"	686	79 1/2"	2019	121	54.9
FN2054-3-18-14/3 *	20"	508	18"	457	2	18"	457	27"	686	96"	2438	140	63.5
FN2054-3-24R or L-14/3 *	20"	508	18"	457	1	24"	610	27"	686	85 1/2"	2172	127	57.6
FN2054-3-24-14/3 *	20"	508	18"	457	2	24"	610	27"	686	108"	2743	158	71.6
FN2054-3-30R or L-14/3 *	20"	508	18"	457	1	30"	762	27"	686	91 1/2"	2324	132	59.9
FN2054-3-30-14/3 *	20"	508	18"	457	2	30"	762	27"	686	120"	3048	162	73.5
FN2054-3-36R or L-14/3 *	20"	508	18"	457	1	36"	914	27"	686	97 1/2"	2477	137	62.1
FN2054-3-36-14/3 *	20"	508	18"	457	2	36"	914	27"	686	132"	3358	172	78.0
FN2060-3-14/3 *	20"	508	20"	508	0	-	-	27"	686	69"	1753	114	51.7
FN2060-3-18R or L-14/3 *	20"	508	20"	508	1	18"	610	27"	686	85 1/2"	2172	133	60.3
FN2060-3-18-14/3 *	20"	508	20"	508	2	18"	457	27"	686	102"	2591	152	68.9
FN2060-3-24R or L-14/3 *	20"	508	20"	508	1	24"	457	27"	686	91 1/2"	2324	139	63.1
FN2060-3-24-14/3 *	20"	508	20"	508	2	24"	610	27"	686	114"	2896	164	74.4
FN2060-3-30R or L-14/3 *	20"	508	20"	508	1	30"	762	27"	686	97 1/2"	2477	144	65.3
FN2060-3-30-14/3 *	20"	508	20"	508	2	30"	762	27"	686	126"	3200	174	78.9
FN2060-3-36R or L-14/3 *	20"	508	20"	508	1	36"	914	27"	686	103 1/2"	2629	149	67.6
FN2060-3-36-14/3 *	20"	508	20"	508	2	36"	914	27"	686	138"	3505	184	83.5
FN2472-3-14/3 *	24"	610	24"	610	0	-	-	31"	787	81"	2057	127	57.6
FN2472-3-18R or L-14/3 *	24"	610	24"	610	1	18"	457	31"	787	97 1/2"	2477	146	66.2
FN2472-3-18-14/3 *	24"	610	24"	610	2	18"	457	31"	787	114"	2896	165	74.8
FN2472-3-24R or L-14/3 *	24"	610	24"	610	1	24"	610	31"	787	103 1/2"	2629	152	68.9
FN2472-3-24-14/3 *	24"	610	24"	610	2	24"	610	31"	787	126"	3200	177	80.3
FN2472-3-30R or L-14/3 *	24"	610	24"	610	1	30"	762	31"	787	109 1/2"	2769	157	71.2
FN2472-3-30-14/3 *	24"	610	24"	610	2	30"	762	31"	787	138"	3505	187	84.8
FN2472-3-36R or L-14/3 *	24"	610	24"	610	1	36"	914	31"	787	115 1/2"	2934	162	73.5
FN2472-3-36-14/3 *	24"	610	24"	610	2	36"	914	31"	787	150"	3810	197	89.4
FN2860-3-14/3 *	28"	711	20"	508	0	-	-	35"	889	69"	1753	130	59.0
FN2860-3-18R or L-14/3 *	28"	711	20"	508	1	18"	457	35"	889	85 1/2"	2172	149	67.6
FN2860-3-18-14/3 *	28"	711	20"	508	2	18"	457	35"	889	102"	2591	168	76.2
FN2860-3-24R or L-14/3 *	28"	711	20"	508	1	24"	610	35"	889	91 1/2"	2324	155	70.3
FN2860-3-24-14/3 *	28"	711	20"	508	2	24"	610	35"	889	114"	2896	180	81.6
FN2860-3-30R or L-14/3 *	28"	711	20"	508	1	30"	762	35"	889	97 1/2"	2477	160	72.6
FN2860-3-30-14/3 *	28"	711	20"	508	2	30"	762	35"	889	126"	3200	190	86.2
FN2860-3-36R or L-14/3 *	28"	711	20"	508	1	36"	914	35"	889	103 1/2"	2629	165	74.8
FN2860-3-36-14/3 *	28"	711	20"	508	2	36"	914	35"	889	138"	3505	200	90.7

\* Features two sets of faucet holes.

**EAGLE GROUP**  
 100 Industrial Boulevard, Clayton, DE 19938-8903 USA  
 Phone: 302-653-3000 • Fax: 302-653-2065  
 www.eaglegrp.com

Foodservice Division: Phone 800-441-8440  
 MHC/Retail Display Divisions: Phone 800-637-5100

Printed in U.S.A.  
 ©2018 by Eagle Group  
 Rev. 02/18

Spec sheets available for viewing, printing or downloading from our online literature library at [www.eaglegrp.com](http://www.eaglegrp.com)

Although every attempt has been made to ensure the accuracy of the information provided, we cannot be held responsible for typographical or printing errors. Information and specifications are subject to change without notice. Please confirm at time of order.

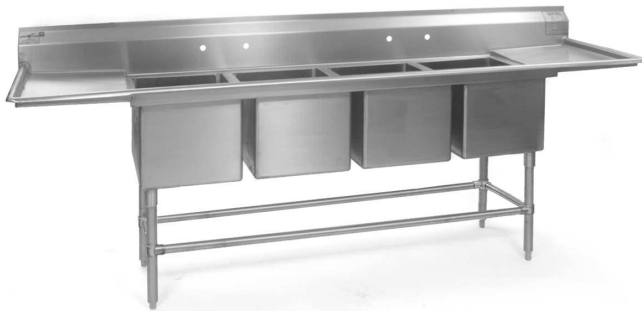


Profit from the Eagle Advantage®

# Specification Sheet

## Short Form Specifications

Eagle Spec-Master® Four-Compartment Sinks, model \_\_\_\_\_ . Unit constructed of 14 gauge 300 series, 18-8 stainless steel throughout. Sink bowls covered with a full 5/8" radius, and shall have a 14" water level. Drainboards, when required, shall be "V" creased for positive drainage. 9 1/2" high backsplash with 1" upturn and tile edge. Legs to be 1 1/2" O.D., stainless steel, with stainless steel gussets, stainless steel crossbracing and adjustable stainless steel bullet feet.



4-compartment sink

## Options / Accessories

- Lever drain
- Lever drain with overflow
- Twist handle drains
- Overflow hole
- Sink kits
- Faucets
- Polyboard sink covers
- Stainless steel sink covers
- Skirted front panel

## Assembly:

- Entire assembly is fuse-welded and planished, providing a one-piece seamless sink unit.
- Welded areas are high-speed belt blended to match adjacent surfaces with continuity of satin finish.
- All outside corners of assembly are bullnosed to provide safe, clean edges.
- Water supply is 1/2" (13mm) NPS for hot and cold lines.

## EAGLE GROUP

100 Industrial Boulevard, Clayton, DE 19938-8903 USA

Phone: 302-653-3000 • Fax: 302-653-2065

www.eaglegrp.com

Foodservice Division: Phone 800-441-8440

MHC/Retail Display Divisions: Phone 800-637-5100

For custom configuration or fabrication needs, contact our SpecFAB® Division.

Phone: 302-653-3000 • Fax: 302-653-2065 • e-mail: quotes@eaglegrp.com

Item No.: \_\_\_\_\_  
 Project No.: \_\_\_\_\_  
 S.I.S. No.: \_\_\_\_\_

# Spec-Master® FN Series Coved Corner Four-Compartment Sinks

## MODELS:

- FN2064-4-\*
- FN2072-4-\*
- FN2080-4-\*
- FN2496-4-\*
- FN2880-4-\*

\* See table on back for complete model numbers.

## Top:

- Drainboards, backsplash and rolled rims are 14 gauge 300 series stainless steel.
- Drainboards, when provided, are integrally welded.
- All rolled edges are highlighted for enhanced appearance.
- 9 1/2" high backsplash with 1" upturn and tile edge.
- 1 1/2" (29mm) faucet holes punched on 8" (203mm) centers.

## Base:

- Legs: 1 1/2" (41mm)-diameter stainless steel tubing with stainless steel gussets and fully adjustable stainless steel bullet feet.
- Crossbracing: Adjustable, 1 1/4" (32mm)-diameter stainless steel; running left-to-right and front-to-back.
- Leg locations fall directly under sink bowls\*, providing increased stability and maximum weight support.
- Leg gussets welded to a die-cut heavy-gauge stainless steel reinforcing corner plate.
- Legs are crossbraced on all sides for increased stability.

## Sink Bowls:

- 14 gauge 300 series stainless steel.
- 14" (356mm) water level, 17" (432mm) flood level.
- Sink compartments are coved on a full 5/8" (41mm) radius and constructed using state-of-the-art seamless welding techniques.
- Basket-type waste drain fits sink bowls' 3 1/2" (89mm) opening and features 1 1/2" (38mm) outlet.

\* On sinks with drainboard(s) 30" or longer, legs are located underneath the outer end of drainboard(s).

## Certifications / Approvals



AutoQuotes



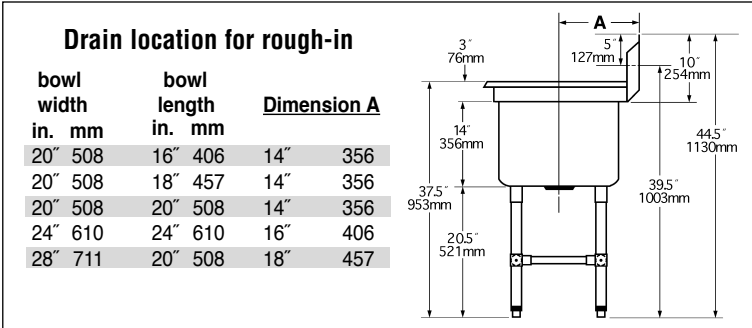
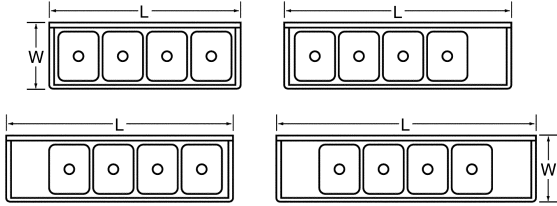
Spec sheets available for viewing, printing or downloading from our online literature library at [www.eaglegrp.com](http://www.eaglegrp.com)



Profit from the Eagle Advantage®

Item No.: \_\_\_\_\_  
 Project No.: \_\_\_\_\_  
 S.I.S. No.: \_\_\_\_\_

# Spec-Master® FN Series Covered Corner Four-Compartment Sinks



model #	BOWL DIMENSIONS				quantity	DRAINBOARD		OVERALL DIMENSIONS				weight	
	width	length	width	length		length	width	length	width	length	lbs.	kg	
FN2064-4-14/3	20"	508	16"	406	0	-	27"	686	75"	1905	121	54.9	
FN2064-4-18R or L-14/3	20"	508	16"	406	1	18" 457	27"	686	91 1/2"	2324	140	63.5	
FN2064-4-18-14/3	20"	508	16"	406	2	18" 457	27"	686	108"	2743	159	72.1	
FN2064-4-24R or L-14/3	20"	508	16"	406	1	24" 610	27"	686	97 1/2"	2477	146	66.2	
FN2064-4-24-14/3	20"	508	16"	406	2	24" 610	27"	686	120"	3048	171	77.6	
FN2064-4-30R or L-14/3	20"	508	16"	406	1	30" 762	27"	686	104"	2642	151	68.5	
FN2064-4-30-14/3	20"	508	16"	406	2	30" 762	27"	686	132"	3353	181	82.1	
FN2064-4-36R or L-14/3	20"	508	16"	406	1	36" 914	27"	686	109 1/2"	2781	166	75.3	
FN2064-4-36-14/3	20"	508	16"	406	2	36" 914	27"	686	144"	3658	201	91.2	
FN2072-4-14/3	20"	508	18"	457	0	-	27"	686	83"	2108	132	59.9	
FN2072-4-18R or L-14/3	20"	508	18"	457	1	18" 457	27"	686	99 1/2"	2527	151	68.5	
FN2072-4-18-14/3	20"	508	18"	457	2	18" 457	27"	686	116"	2946	170	77.1	
FN2072-4-24R or L-14/3	20"	508	18"	457	1	24" 610	27"	686	105 1/2"	2680	157	71.2	
FN2072-4-24-14/3	20"	508	18"	457	2	24" 610	27"	686	128"	3251	182	82.6	
FN2072-4-30R or L-14/3	20"	508	18"	457	1	30" 762	27"	686	112"	2845	162	73.5	
FN2072-4-30-14/3	20"	508	18"	457	2	30" 762	27"	686	140"	3556	192	87.1	
FN2072-4-36R or L-14/3	20"	508	18"	457	1	36" 914	27"	686	117 1/2"	2985	167	75.8	
FN2072-4-36-14/3	20"	508	18"	457	2	36" 914	27"	686	152"	3861	202	91.6	
FN2080-4-14/3	20"	508	20"	508	0	-	27"	686	91"	2311	142	64.4	
FN2080-4-18R or L-14/3	20"	508	20"	508	1	18" 457	27"	686	107 1/2"	2731	161	73.0	
FN2080-4-18-14/3	20"	508	20"	508	2	18" 457	27"	686	124"	3150	180	81.6	
FN2080-4-24R or L-14/3	20"	508	20"	508	1	24" 610	27"	686	113 1/2"	2883	167	75.8	
FN2080-4-24-14/3	20"	508	20"	508	2	24" 610	27"	686	136"	3454	192	87.1	
FN2080-4-30R or L-14/3	20"	508	20"	508	1	30" 762	27"	686	119 1/2"	3035	172	78.0	
FN2080-4-30-14/3	20"	508	20"	508	2	30" 762	27"	686	148"	3759	202	91.6	
FN2080-4-36R or L-14/3	20"	508	20"	508	1	36" 914	27"	686	125 1/2"	3188	177	80.3	
FN2080-4-36-14/3	20"	508	20"	508	2	36" 914	27"	686	160"	4064	212	96.2	
FN2496-4-14/3	24"	610	24"	610	0	-	31"	787	107"	2718	163	73.9	
FN2496-4-18R or L-14/3	24"	610	24"	610	1	18" 457	31"	787	123 1/2"	3137	182	82.6	
FN2496-4-18-14/3	24"	610	24"	610	2	18" 457	31"	787	140"	3556	201	91.2	
FN2496-4-24R or L-14/3	24"	610	24"	610	1	24" 610	31"	787	129 1/2"	3289	188	85.3	
FN2496-4-24-14/3	24"	610	24"	610	2	24" 610	31"	787	152"	3861	213	96.6	
FN2496-4-30R or L-14/3	24"	610	24"	610	1	30" 762	31"	787	135 1/2"	3442	193	87.5	
FN2496-4-30-14/3	24"	610	24"	610	2	30" 762	31"	787	164"	4166	228	103.4	
FN2496-4-36R or L-14/3	24"	610	24"	610	1	36" 914	31"	787	141 1/2"	3594	198	89.8	
FN2496-4-36-14/3	24"	610	24"	610	2	36" 914	31"	787	176"	4470	233	105.7	
FN2880-4-14/3	28"	711	20"	508	0	-	35"	889	91"	2311	170	77.1	
FN2880-4-18R or L-14/3	28"	711	20"	508	1	18" 457	35"	889	107 1/2"	2731	189	85.7	
FN2880-4-18-14/3	28"	711	20"	508	2	18" 457	35"	889	124"	3150	208	94.3	
FN2880-4-24R or L-14/3	28"	711	20"	508	1	24" 610	35"	889	113 1/2"	2883	195	88.5	
FN2880-4-24-14/3	28"	711	20"	508	2	24" 610	35"	889	136"	3454	220	99.8	
FN2880-4-30R or L-14/3	28"	711	20"	508	1	30" 762	35"	889	119 1/2"	3048	200	90.7	
FN2880-4-30-14/3	28"	711	20"	508	2	30" 762	35"	889	148"	3759	230	104.3	
FN2880-4-36R or L-14/3	28"	711	20"	508	1	36" 914	35"	889	125 1/2"	3188	205	93.0	
FN2880-4-36-14/3	28"	711	20"	508	2	36" 914	35"	889	160"	4064	240	108.9	

**EAGLE GROUP**  
 100 Industrial Boulevard, Clayton, DE 19938-8903 USA  
 Phone: 302-653-3000 • Fax: 302-653-2065  
 www.eaglegrp.com

Foodservice Division: Phone 800-441-8440  
 MHC/Retail Display Divisions: Phone 800-637-5100

Printed in U.S.A.  
 ©2018 by Eagle Group  
 Rev. 02/18

Spec sheets available for viewing, printing or downloading from our online literature library at [www.eaglegrp.com](http://www.eaglegrp.com)

Although every attempt has been made to ensure the accuracy of the information provided, we cannot be held responsible for typographical or printing errors. Information and specifications are subject to change without notice. Please confirm at time of order.