



Profit from the Eagle Advantage®

Specification Sheet

Short Form Specifications

Eagle Portable Sink with Laminated Cabinet, model _____, 25" x 28" stainless steel top with marine edge and rear backsplash. Sink complete with choice of either three 11 5/8" x 6 1/8" x 5"-deep compartments, one 14" x 10" x 5" sink bowl, or 12 1/2" x 16" acrylic water plate. Deck-mount faucet with swivel spout and wrist handles. Furnished with soap dispenser, 115-volt pump, 5-gallon fresh water tank, 7-gallon waste water tank, GFCI electrical outlet, and 10' cord/plug with cord wrap.



with stainless steel bowl



PATENTED!
(U.S. Patent #9,790,674)

with acrylic bowl

Options / Accessories

- Perimeter bumper
- Extra 5-gallon fresh tank
- Extra 7-gallon soiled tank
- Etching in Acrylic Water Plate (custom option)

EAGLE GROUP

100 Industrial Boulevard
Clayton, DE 19938-8903 USA

Phone: 302-653-3000 • 800-441-8440

Fax: 302-653-2065

www.eaglegrp.com • www.eaglemh.com

For custom configuration or fabrication needs, contact our SpecFAB® Division.

Phone: 302-653-3000 • Fax: 302-653-2065 • e-mail: quotes@eaglegrp.com

Item No.: _____
 Project No.: _____
 S.I.S. No.: _____

Portable Hand Sinks with Laminates Cabinet

MODELS:

- PHS-A-C-LB
- PHS-A-H-LB
- PHS-S-C-LB
- PHS-S-H-LB
- PHS-S3-C-LB
- PHS-S3-H-LB

Features

- Plywood cabinet base with "Biltmore Cherry" Wilsonart® laminated millwork.
- Locking doors with satin finish handles.
- Deck mount faucet with 8" spout and 1/4-turn handles.
- Deck mount soap dispenser.
- 3" recessed plate casters with rubber tread—weight capacity of 150 lbs. (68.0 kg) per caster.
- 5-gallon fresh water tank.
- 7-gallon soiled water tank.
- Stainless steel top features marine edge, 6"-diameter scrap chute, and 8 1/2"-high backsplash with paper towel dispenser.
- Units with hot & cold water include 2.5-gallon hot water heater and bracket.

Bowls

- Single stainless steel bowl is 14" x 10" x 5" (356 x 254 x 127mm) deep.
- Three-compartment bowl is 21" x 13" x 5" (533 x 330 x 127mm). Each compartment is 11 1/8" x 6 1/8" x 5" (295 x 156 x 127mm).
- Patented removable acrylic water plate (patent #9,790,674) is 12 1/2" x 16" (318 x 406mm) and drains into a stainless steel trough.

Certifications / Approvals



AutoQuotes





Profit from the Eagle Advantage®

Eagle Portable Hand Sinks with Laminated Cabinet

Overall dimensions of all units are 25" width, 28" length, and 44½" height. 3" swivel casters—two with brake—with 150 lb. weight capacity per caster.

Sinks with Stainless Steel Bowl...

...with Cold Water Only

sink width	sink length	sink depth	weight *		model #	
in.	mm	in.	mm	lbs.	kg	
14"	356	10"	256	237	107.5	PHS-S-C-LB

...with Hot & Cold Water**

sink width	sink length	sink depth	weight *		model #	
in.	mm	in.	mm	lbs.	kg	
14"	356	10"	256	262	118.8	PHS-S-H-LB

Sinks with Three-Compartment Bowl...

...with Cold Water Only

sink width	sink length	sink depth	weight *		model #	
in.	mm	in.	mm	lbs.	kg	
11½"	295	6"	156	237	107.5	PHS-S3-C-LB

...with Hot & Cold Water**

sink width	sink length	sink depth	weight *		model #	
in.	mm	in.	mm	lbs.	kg	
11½"	295	6"	156	262	118.8	PHS-S3-H-LB

Sinks with Removable Acrylic Water Plate

...with Cold Water Only

plate width	plate length	weight *		model #	
in.	mm	in.	mm	lbs.	
12½"	318	16"	406	237	107.5

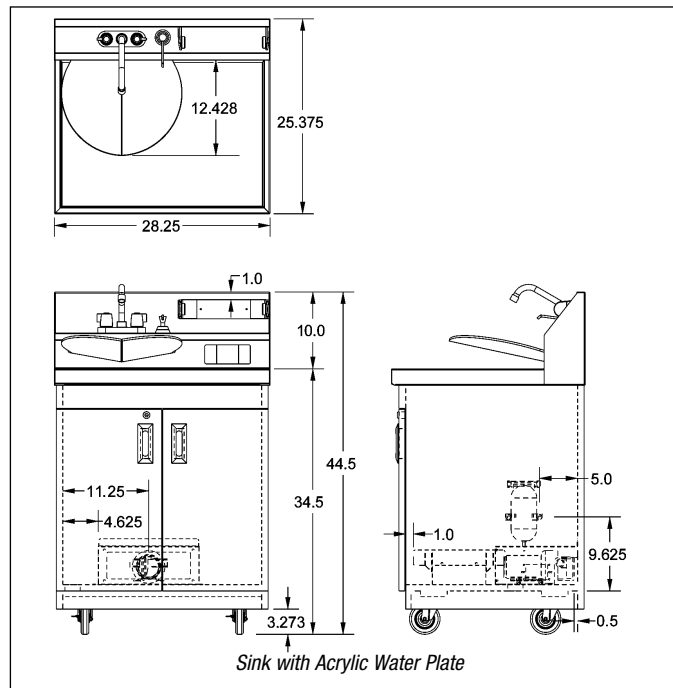
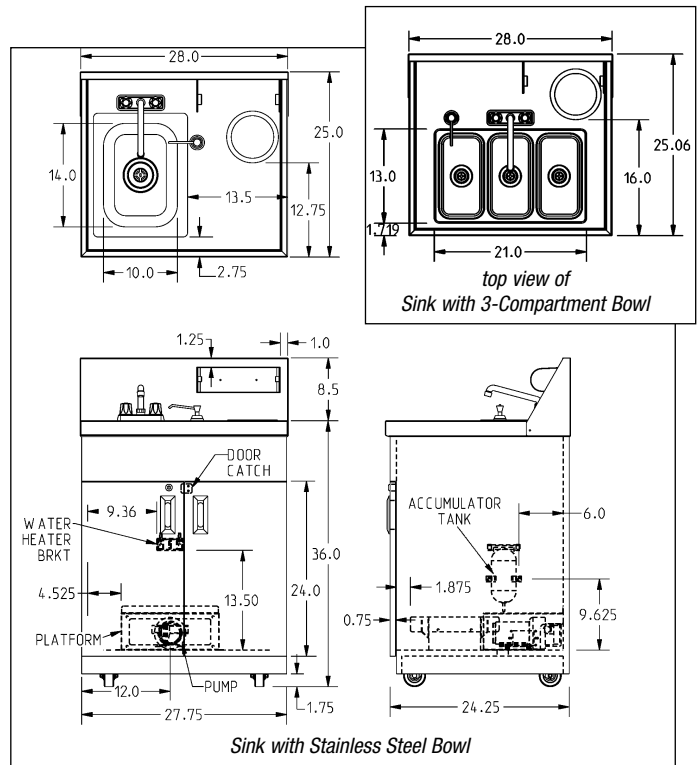
...with Hot & Cold Water**

plate width	plate length	weight *		model #	
in.	mm	in.	mm	lbs.	
12½"	318	16"	406	262	118.8

* Weights reflect empty water tanks.

** Hot water heater plugs into a standard 110 outlet. Features a glass lined tank for longer life and a temperature/pressure relief valve.

Item No.: _____
 Project No.: _____
 S.I.S. No.: _____



EAGLE GROUP

100 Industrial Boulevard, Clayton, DE 19938-8903 USA
 Phone: 302-653-3000 or 800-441-8440 • Fax: 302-653-2065
 www.eaglegrp.com • www.eaglemhc.com

Printed in U.S.A.
 ©2022 by Eagle Group

Rev. 03/22

Spec sheets available for viewing, printing or downloading from our online literature library at www.eaglegrp.com

Although every attempt has been made to ensure the accuracy of the information provided, we cannot be held responsible for typographical or printing errors. Information and specifications are subject to change without notice. Please confirm at time of order.