



Profit from the Eagle Advantage®

# Specification Sheet

## Short Form Specifications

Eagle Wall Mounted Multi-Station Hand Sink with Knee Valve Operation, model \_\_\_\_\_. Heavy duty 14 gauge stainless steel construction. 9½" high backsplash with 2" return. 1½"-diameter 16 gauge stainless steel tubular supports and gussets. Offered in lengths ranging from 48" to 96". Knee pedal valves and backsplash-mounted gooseneck spouts.

Item No.:	_____
Project No.:	_____
S.I.S. No.:	_____

## Wall Mounted Multi-Station Hand Sinks with Knee Valve Operation

### MODELS:

- HSA-WM-48-1FK
- HSA-WM-60-1FK
- HSA-WM-72-1FK
- HSA-WM-96-1FK
- HSA-WM-48-FK
- HSA-WM-60-FK
- HSA-WM-72-FK
- HSA-WM-96-FK



#HSA-WM-48-1FK



#HSA-WM-48-FK

### Design and Construction Features

- Single full-length bowl with basket drain(s) and rolled edge.
- 14 gauge type 304 stainless steel construction.
- Wall-mounted tubular supports consists of 16 gauge 1½" (41mm)-diameter tubing.
- Stainless steel basket drain assembly (two on 96"-long models).
- 9½" backsplash, with single faucet holes.
- Supplied with backsplash to wall mount "Z" brackets.
- 21½" overall front-to-back.
- Lengths available range from 48" to 96" (1219 to 2438mm).
- Knee pedal valve assemblies as per model with gooseneck spouts.

### Options / Accessories

- Lever Handle Drains
- Twist Handle Drains

### EAGLE GROUP

100 Industrial Boulevard  
Clayton, DE 19938-8903 USA

Phone: 302-653-3000 • 800-441-8440

Fax: 302-653-2065

www.eaglegrp.com • www.eaglemhc.com

For custom configuration or fabrication needs, contact our SpecFAB® Division.

Phone: 302-653-3000 • Fax: 302-653-2065 • e-mail: quotes@eaglegrp.com

EG05.20B Rev. 02/22

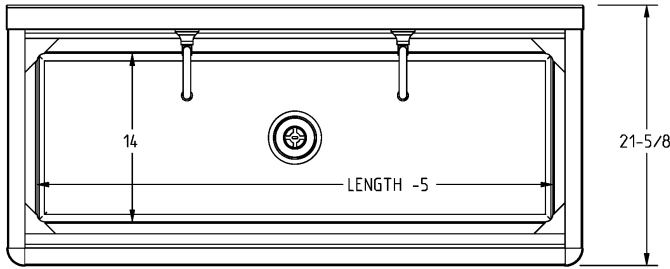
Spec sheets available for viewing, printing or downloading from our online literature library at [www.eaglegrp.com](http://www.eaglegrp.com)

Eagle Foodservice Equipment, Eagle MHC, and SpecFAB® are divisions of Eagle Group. ©2022 by the Eagle Group

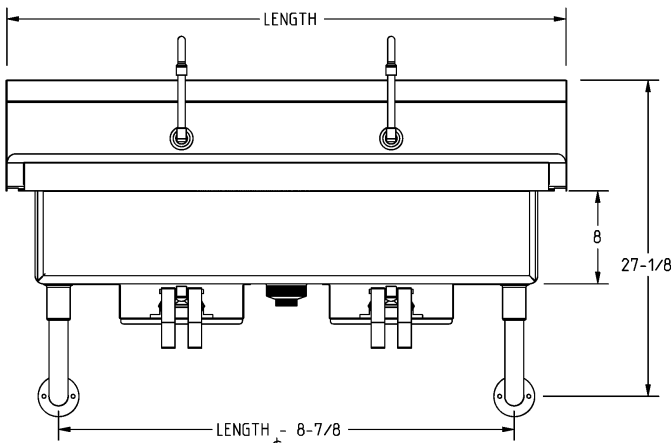


Item No.: \_\_\_\_\_  
 Project No.: \_\_\_\_\_  
 S.I.S. No.: \_\_\_\_\_

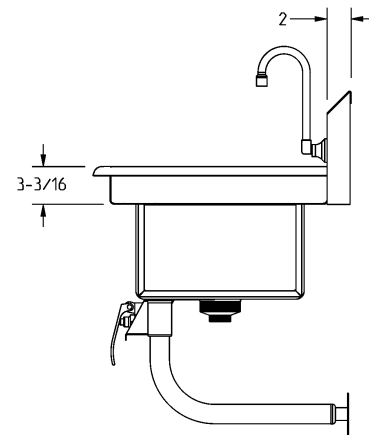
## Wall Mounted Multi-Station Hand Sinks with Knee Valve Operation



TOP VIEW



FRONT VIEW



SIDE VIEW

(NOTE: UNIT WITH DOUBLE KNEE VALVES SHOWN)

### Sinks without Single Knee Pedals

overall width x length x height		bowl width x length x depth		# of spouts included	weight		model #
in.	mm	in.	mm		lbs.	kg	
21 <sup>5</sup> / <sub>8</sub> " x 48" x 27 <sup>1</sup> / <sub>8</sub> "	549 x 1219 x 689	14" x 43" x 8"	356 x 1092 x 203	2	70	31.8	<b>HSA-WM-48-1FK</b>
21 <sup>5</sup> / <sub>8</sub> " x 60" x 27 <sup>1</sup> / <sub>8</sub> "	549 x 1524 x 689	14" x 55" x 8"	356 x 1397 x 203	2	81	36.7	<b>HSA-WM-60-1FK</b>
21 <sup>5</sup> / <sub>8</sub> " x 72" x 27 <sup>1</sup> / <sub>8</sub> "	549 x 1829 x 689	14" x 67" x 8"	356 x 1702 x 203	3	95	43.1	<b>HSA-WM-72-1FK</b>
21 <sup>5</sup> / <sub>8</sub> " x 96" x 27 <sup>1</sup> / <sub>8</sub> "	549 x 2438 x 689	14" x 91" x 8"	356 x 2311 x 203	4	120	54.4	<b>HSA-WM-96-1FK*</b>

\* Model #HSA-WM-96-1FK features three tubular supports and two drains.

### Sinks with Double Knee Pedals

overall width x length x height		bowl width x length x depth		# of spouts included	weight		model #
in.	mm	in.	mm		lbs.	kg	
21 <sup>5</sup> / <sub>8</sub> " x 48" x 27 <sup>1</sup> / <sub>8</sub> "	549 x 1219 x 689	14" x 43" x 8"	356 x 1092 x 203	2	72	32.7	<b>HSA-WM-48-FK</b>
21 <sup>5</sup> / <sub>8</sub> " x 60" x 27 <sup>1</sup> / <sub>8</sub> "	549 x 1524 x 689	14" x 55" x 8"	356 x 1397 x 203	2	83	37.3	<b>HSA-WM-60-FK</b>
21 <sup>5</sup> / <sub>8</sub> " x 72" x 27 <sup>1</sup> / <sub>8</sub> "	549 x 1829 x 689	14" x 67" x 8"	356 x 1702 x 203	3	98	44.5	<b>HSA-WM-72-FK</b>
21 <sup>5</sup> / <sub>8</sub> " x 96" x 27 <sup>1</sup> / <sub>8</sub> "	549 x 2438 x 689	14" x 91" x 8"	356 x 2311 x 203	4	124	56.3	<b>HSA-WM-96-FK*</b>

\* Model #HSA-WM-96-FK features three tubular supports and two drains.

### EAGLE GROUP

100 Industrial Boulevard, Clayton, DE 19938-8903 USA  
 Phone: 302-653-3000 or 800-441-8440 • Fax: 302-653-2065  
 www.eaglegrp.com • www.eaglehmc.com

Printed in U.S.A.  
 ©2022 by Eagle Group

Rev. 02/22

Spec sheets available for viewing, printing or downloading from our online literature library at [www.eaglegrp.com](http://www.eaglegrp.com)

Although every attempt has been made to ensure the accuracy of the information provided, we cannot be held responsible for typographical or printing errors. Information and specifications are subject to change without notice. Please confirm at time of order.