



Profit from the Eagle Advantage®

Specification Sheet

Short Form Specifications

Eagle Wall Mounted Multi-Station Hand Sink, model _____ . Heavy duty 14 gauge stainless steel construction. 9½" high backsplash with 2" return. 1½"-diameter 16 gauge stainless steel tubular supports and gussets. Offered in lengths ranging from 48" to 96". Faucet holes at 8" centers. Commercial duty faucets with gooseneck spouts on applicable models.

Item No.:	_____
Project No.:	_____
S.I.S. No.:	_____

Wall Mounted Multi-Station Hand Sinks

MODELS:

- HSA-WM-48
- HSA-WM-60
- HSA-WM-72
- HSA-WM-96
- HSA-WM-48-F
- HSA-WM-60-F
- HSA-WM-72-F
- HSA-WM-96-F



#HSA-WM-48



#HSA-WM-48-F

Design and Construction Features

- Single full-length bowl with basket drain(s) and rolled edge.
- 14 gauge type 304 stainless steel construction.
- Wall-mounted tubular supports consists of 16 gauge 1½" (41mm)-diameter tubing.
- Stainless steel basket drain assembly (two on 96"-long models).
- 9½" backsplash, with set(s) of faucet holes at 8" (203mm) on center.
- Supplied with backsplash to wall mount "Z" brackets.
- 21½" overall front-to-back.
- Lengths available range from 48" to 96" (1219 to 2438mm).

Options / Accessories

- Optional Faucets (for units without faucets)
- Lever Handle Drains
- Twist Handle Drains

EAGLE GROUP

100 Industrial Boulevard
Clayton, DE 19938-8903 USA

Phone: 302-653-3000 • 800-441-8440

Fax: 302-653-2065

www.eaglegrp.com • www.eaglemhc.com

For custom configuration or fabrication needs, contact our SpecFAB® Division.

Phone: 302-653-3000 • Fax: 302-653-2065 • e-mail: quotes@eaglegrp.com

EG05.20A Rev. 02/22

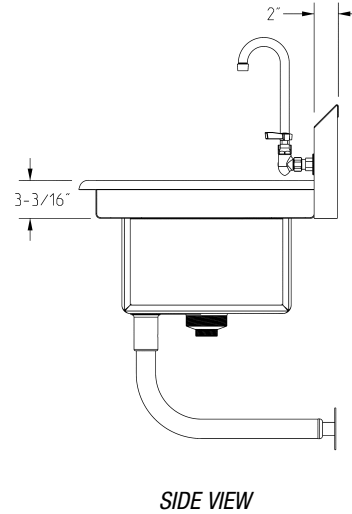
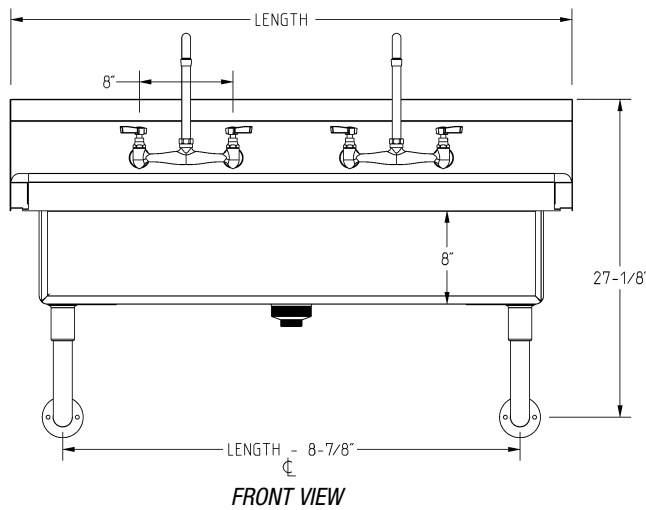
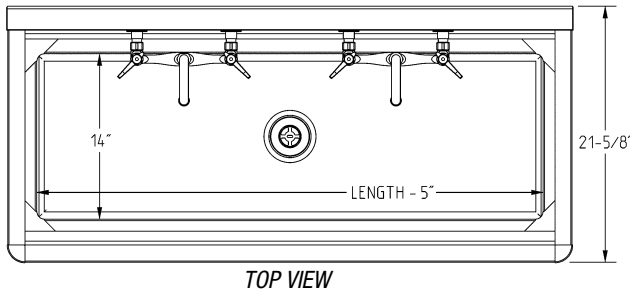
Spec sheets available for viewing, printing or downloading from our online literature library at www.eaglegrp.com

Eagle Foodservice Equipment, Eagle MHC, and SpecFAB® are divisions of Eagle Group. ©2022 by the Eagle Group



Item No.: _____
 Project No.: _____
 S.I.S. No.: _____

Wall Mounted Multi-Station Hand Sinks



(NOTE: UNIT WITH FAUCETS SHOWN)

Sinks without Faucets

overall width x length x height in. mm		bowl width x length x depth in. mm		# of faucets required	weight lbs. kg		model #
21 ⁵ / ₈ " x 48" x 27 ¹ / ₈ "	549 x 1219 x 689	14" x 43" x 8"	356 x 1092 x 203	2	61	27.2	HSA-WM-48
21 ⁵ / ₈ " x 60" x 27 ¹ / ₈ "	549 x 1524 x 689	14" x 55" x 8"	356 x 1397 x 203	2	72	32.7	HSA-WM-60
21 ⁵ / ₈ " x 72" x 27 ¹ / ₈ "	549 x 1829 x 689	14" x 67" x 8"	356 x 1702 x 203	3	81	36.7	HSA-WM-72
21 ⁵ / ₈ " x 96" x 27 ¹ / ₈ "	549 x 2438 x 689	14" x 91" x 8"	356 x 2311 x 203	4	102	46.3	HSA-WM-96*

* Model #HSA-WM-96 features three tubular supports and two drains.

Sinks with Faucets

overall width x length x height in. mm		bowl width x length x depth in. mm		# of faucets included	weight lbs. kg		model #
21 ⁵ / ₈ " x 48" x 27 ¹ / ₈ "	549 x 1219 x 689	14" x 43" x 8"	356 x 1092 x 203	2	69	31.3	HSA-WM-48-F
21 ⁵ / ₈ " x 60" x 27 ¹ / ₈ "	549 x 1524 x 689	14" x 55" x 8"	356 x 1397 x 203	2	80	36.3	HSA-WM-60-F
21 ⁵ / ₈ " x 72" x 27 ¹ / ₈ "	549 x 1829 x 689	14" x 67" x 8"	356 x 1702 x 203	3	93	42.2	HSA-WM-72-F
21 ⁵ / ₈ " x 96" x 27 ¹ / ₈ "	549 x 2438 x 689	14" x 91" x 8"	356 x 2311 x 203	4	118	53.5	HSA-WM-96-F*

* Model #HSA-WM-96-F features three tubular supports and two drains.

EAGLE GROUP

100 Industrial Boulevard, Clayton, DE 19938-8903 USA
 Phone: 302-653-3000 or 800-441-8440 • Fax: 302-653-2065
 www.eaglegrp.com • www.eaglehmc.com

Printed in U.S.A.
 ©2022 by Eagle Group
 Rev. 02/22

Spec sheets available for viewing, printing or downloading from our online literature library at www.eaglegrp.com

Although every attempt has been made to ensure the accuracy of the information provided, we cannot be held responsible for typographical or printing errors. Information and specifications are subject to change without notice. Please confirm at time of order.