



Profit from the Eagle Advantage®

Specification Sheet

Short Form Specifications

Eagle Surgical Scrub Sinks, model _____, 16 gauge stainless steel construction. Features include 4"-high backsplash, squared front and sides, removable access panel, temperature mixing valve, and electronic-eye faucet. Includes flat strainer, with p-trap and tail piece. Standard model features deck-mount faucet. ADA-compliant model features splash-mount faucet.



optional wall-mounted soap dispenser (model #377456)



standard model



ADA-compliant model shown with access panel removed

Item No.:	_____
Project No.:	_____
S.I.S. No.:	_____

Surgical Scrub Sinks

MODELS:

- SHS2424-1D
- SHS2424-1W-ADA

Features

- 16 gauge type 304 stainless steel construction.
- 4"-high (102mm) backsplash.
- Squared front and sides.
- 11" (279mm)-deep sink is 20" (508mm) end-to-end and features a deep-sloped basin.
- 16 gauge type 304 stainless steel removable front access panel.
- Temperature control mixing valve.
- 1½" (38mm) NPS stainless steel flat strainer drain with p-trap and tail piece.
- Comes with 18" (457mm) flexible stainless steel supply hoses (½" NPSM FE x ¾" compression female).
- Z-clips for mounting sink to wall*.
- AC-DC control module gooseneck faucet, with waterproof connections, comes with 2.2 GPM aerator.
- Standard model features deck-mount faucet and 17½" (444mm) front-to-back sink.
- ADA-compliant model features splash-mount faucet and 16½" (419mm) front-to-back sink.

Custom Options

- 2- or 3-bay sinks, with or without partitions.
- Special backsplash height.
- Wall-mounted soap dispenser.

*Hardware for wall mounting not included.

EAGLE GROUP

100 Industrial Boulevard, Clayton, DE 19938-8903 USA
Phone: 302-653-3000 • Fax: 302-653-2065
www.eaglegrp.com

Foodservice Division: Phone 800-441-8440
MHC/Retail Display Divisions: Phone 800-637-5100

For custom configuration or fabrication needs, contact our SpecFAB® Division.
Phone: 302-653-3000 • Fax: 302-653-2065 • e-mail: quotes@eaglegrp.com

Certifications / Approvals



AUTOQUOTES



EG05.11 Rev. 10/14

Spec sheets available for viewing, printing or downloading from our online literature library at www.eaglegrp.com

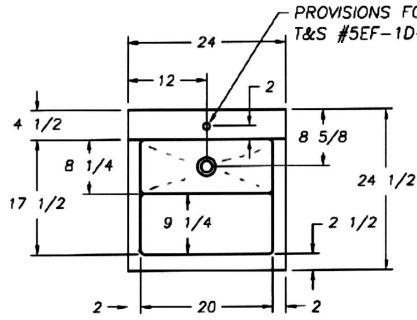
Eagle Foodservice Equipment, Eagle MHC, SpecFAB®, and Retail Display are divisions of Eagle Group. ©2014 by the Eagle Group



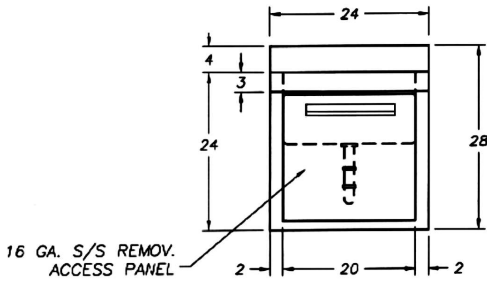
Profit from the Eagle Advantage®

Item No.: _____
 Project No.: _____
 S.I.S. No.: _____

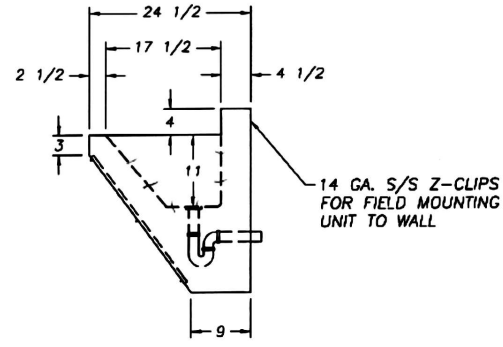
Surgical Scrub Sinks



PLAN VIEW

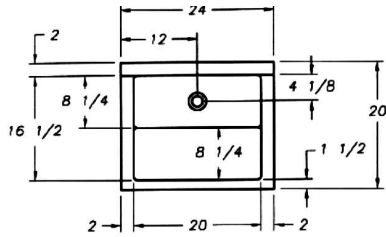


FRONT ELEVATION

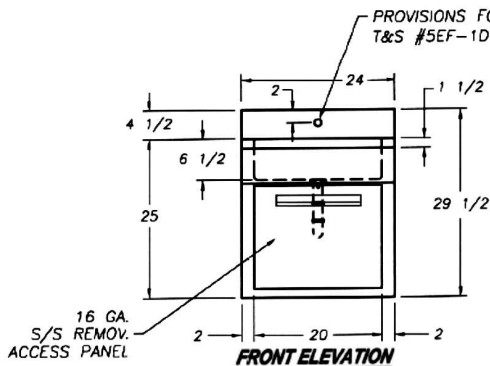


RIGHT END ELEVATION

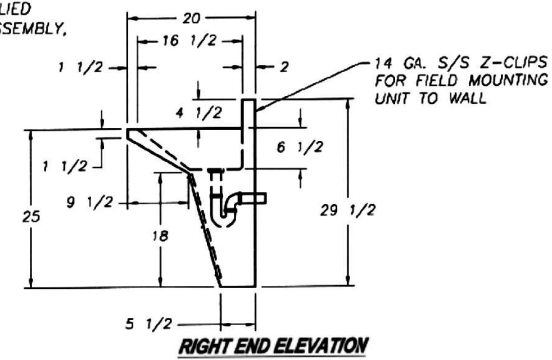
Model #: **SHS2424-1D**
 Description: wall-mount sink with deck-mount faucet
 Bowl Size: 17 1/2" x 20" (445 x 508mm)
 Overall Size: 24 1/2" x 24" (622 x 610mm)
 Weight: 87 lbs. (39.5 kg)



PLAN VIEW



FRONT ELEVATION



RIGHT END ELEVATION

Model #: **SHS2424-1W-ADA**
 Description: wall-mount ADA-compliant sink with splash-mount electronic faucet for hands-free operation
 Bowl Size: 16 1/2" x 20" (419 x 508mm)
 Overall Size: 20" x 24" (508 x 610mm)
 Weight: 83 lbs. (37.6 kg)

EAGLE GROUP
 100 Industrial Boulevard, Clayton, DE 19938-8903 USA
 Phone: 302-653-3000 • Fax: 302-653-2065
 www.eaglegrp.com

Foodservice Division: Phone 800-441-8440
 MHC/Retail Display Divisions: Phone 800-637-5100

Printed in U.S.A.
 ©2014 by Eagle Group

Rev. 10/14

Spec sheets available for viewing, printing or downloading from our online literature library at www.eaglegrp.com

Although every attempt has been made to ensure the accuracy of the information provided, we cannot be held responsible for typographical or printing errors. Information and specifications are subject to change without notice. Please confirm at time of order.